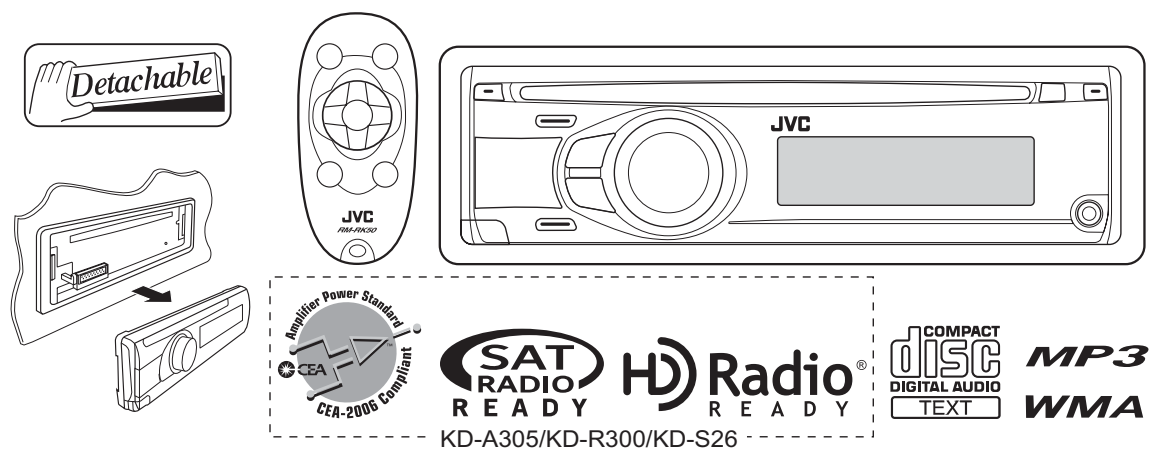


JVC

SERVICE MANUAL

CD RECEIVER

**KD-A305J, KD-R300J, KD-R404UI,
KD-R405U, KD-R405UN, KD-R405UT,
KD-R405UH, KD-R406U, KD-R406UN,
KD-R406UT, KD-R406UH, KD-S26J**



Lead free solder used in the board (material : Sn-Ag-Cu, melting point : 219 Centigrade)
Lead free solder used in the board (material : Sn-Cu, melting point : 230 Centigrade)

TABLE OF CONTENTS

1	PRECAUTION	1-4
2	SPECIFIC SERVICE INSTRUCTIONS	1-7
3	DISASSEMBLY	1-8
4	ADJUSTMENT	1-17
5	TROUBLESHOOTING	1-22

SPECIFICATION

KD-A305/KD-R300/KD-S26

AUDIO AMPLIFIER SECTION			
Power Output	20 W RMS × 4 Channels at 4 Ω and < or = 1% THD+N	Amplifier Power Standard	
Signal-to-Noise Ratio	80 dBA (reference: 1 W into 4 Ω)		
Load Impedance	4 Ω (4 Ω to 8 Ω allowance)		
Tone Control Range	Bass	±12 dB (60 Hz 80 Hz 100 Hz 120 Hz) Q0.5 Q1.0 Q1.5 Q2.0	
	Middle	±12 dB (500 Hz 1.0 kHz 1.5 kHz 2.5 kHz) Q0.75 Q1.0 Q1.25 Q1.5	
	Treble	±12 dB (7.5 kHz 10.0 kHz 12.5 kHz 15.0 kHz) Q0.75 Q1.25	
Frequency Response	40 Hz to 20 000 Hz		
Line-Out Level/ Impedance	KD-A305	5.0 V/20 kΩ load (full scale)	
	KD-R300/KD-S26	2.5 V/20 kΩ load (full scale)	
Subwoofer-Out Level/ Impedance	KD-A305	5.0 V /20 kΩ load (full scale)	
	KD-R300/KD-S26	2.5 V/20 kΩ load (full scale)	
Output Impedance	1 kΩ		
Other Terminal	AUX (auxiliary) input jack CD changer jack Steering wheel remote input (only for KD-A305) Antenna input		
TUNER SECTION			
Frequency Range	FM	with channel interval set to 100 kHz or 200 kHz	87.5 MHz to 107.9 MHz
		with channel interval set to 50 kHz	87.5 MHz to 108.0 MHz
	AM	with channel interval set to 10 kHz	530 kHz to 1 710 kHz
		with channel interval set to 9 kHz	531 kHz to 1 602 kHz
FM Tuner	Usable Sensitivity		11.3 dBf (1.0 μV/75 Ω)
	50 dB Quietening Sensitivity		16.3 dBf (1.8 μV/75 Ω)
	Alternate Channel Selectivity (400 kHz)		65 dB
	Frequency Response		40 Hz to 15 000 Hz
	Stereo Separation		35 dB
AM Tuner	Sensitivity		20 μV
	Selectivity		35 dB
CD PLAYER SECTION			
Type	Compact disc player		
Signal Detection System	Non-contact optical pickup (semiconductor laser)		
Number of Channels	2 channels (stereo)		
Frequency Response	5 Hz to 20 000 Hz		
Dynamic Range	96 dB		
Signal-to-Noise Ratio	98 dB		
Wow and Flutter	Less than measurable limit		
MP3 Decoding Format: (MPEG1/2 Audio Layer 3)	Max. Bit Rate	320 kbps	
WMA (Windows Media® Audio) Decoding Format	Max. Bit Rate	192 kbps	
GENERAL			
Power Requirement	Operating Voltage	DC 14.4 V (11 V to 16 V allowance)	
Grounding System	Negative ground		
Allowable Operating Temperature	0°C to +40°C (32°F to 104°F)		
Dimensions (W × H × D): (approx.)	Installation Size	182 mm × 52 mm × 160 mm (7-3/16" × 2-1/16" × 6-5/16")	
	Panel Size	188 mm × 58 mm × 6 mm (7-7/16" × 2-5/16" × 1/4")	
Mass	1.3 kg (2.9 lbs) (excluding accessories)		


KD-R406/KD-R405/KD-R404

AUDIO AMPLIFIER SECTION		
Maximum Power Output	Front/Rear	50 W per channel
Continuous Power Output (RMS)	Front/Rear	19 W per channel into 4 Ω 40 Hz to 20 000 Hz at no more than 0.8% total harmonic distortion.
Load Impedance		4 Ω (4 Ω to 8 Ω allowance)
Tone Control Range	Bass	±12 dB (60 Hz 80 Hz 100 Hz 120 Hz) Q0.5 Q1.0 Q1.5 Q2.0
	Middle	±12 dB (500 Hz 1.0 kHz 1.5 kHz 2.5 kHz) Q0.75 Q1.0 Q1.25 Q1.5
	Treble	±12 dB (7.5 kHz 10.0 kHz 12.5 kHz 15.0 kHz) Q0.75 Q1.25
Frequency Response		40 Hz to 20 000 Hz
Signal-to-Noise Ratio		70 dB
Line-Out Level/Impedance		2.5 V/20 kΩ load (full scale)
Subwoofer-Out Level/Impedance		2.5 V/20 kΩ load (full scale)
Output Impedance		1 kΩ
Other Terminal		AUX (auxiliary) input jack CD changer jack Antenna input
TUNER SECTION		
Frequency Range	FM	87.5 MHz to 108.0 MHz
	AM	531 kHz to 1602 kHz
FM Tuner	Usable Sensitivity	11.3 dBf (1.0 μV/75 Ω)
	50 dB Quieting Sensitivity	16.3 dBf (1.8 μV/75 Ω)
	Alternate Channel Selectivity (400 kHz)	65 dB
	Frequency Response	40 Hz to 15000 Hz
	Stereo Separation	30 dB
AM Tuner	Sensitivity	20 μV
	Selectivity	35 dB
CD PLAYER SECTION		
Type	Compact disc player	
Signal Detection System	Non-contact optical pickup (semiconductor laser)	
Number of Channels	2 channels (stereo)	
Frequency Response	5 Hz to 20 000 Hz	
Dynamic Range	96 dB	
Signal-to-Noise Ratio	98 dB	
Wow and Flutter	Less than measurable limit	
MP3 Decoding Format	(MPEG1/2 Audio Layer 3)	Max. Bit Rate: 320 kbps
WMA (Windows Media® Audio) Decoding Format	Compact disc player	Max. Bit Rate: 192 kbps
GENERAL		
Power Requirement	Operating Voltage	DC 14.4 V (11 V to 16 V allowance)
Grounding System	Negative ground	
Allowable Operating Temperature	0°C to +40°C	
Dimensions (W × H × D): (approx.)	Installation Size	182 mm × 52 mm × 160 mm
	Panel Size	188 mm × 58 mm × 6 mm
Mass	1.3 kg (excluding accessories)	

Design and specifications are subject to change without notice.

SECTION 1 PRECAUTION

1.1 Safety Precautions

 **CAUTION** Burrs formed during molding may be left over on some parts of the chassis. Therefore, pay attention to such burrs in the case of performing repair of this system.

 **CAUTION** Please use enough caution not to see the beam directly or touch it in case of an adjustment or operation check.

1.2 Preventing static electricity

Electrostatic discharge (ESD), which occurs when static electricity stored in the body, fabric, etc. is discharged, can destroy the laser diode in the traverse unit (optical pickup). Take care to prevent this when performing repairs.

1.2.1 Grounding to prevent damage by static electricity

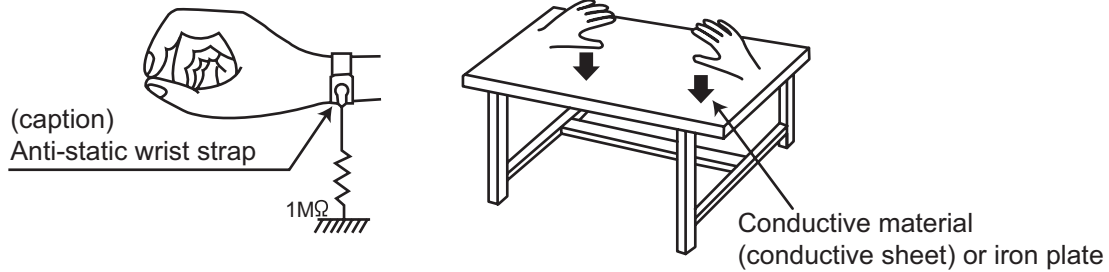
Static electricity in the work area can destroy the optical pickup (laser diode) in devices such as laser products. Be careful to use proper grounding in the area where repairs are being performed.

(1) Ground the workbench

Ground the workbench by laying conductive material (such as a conductive sheet) or an iron plate over it before placing the traverse unit (optical pickup) on it.

(2) Ground yourself

Use an anti-static wrist strap to release any static electricity built up in your body.



(3) Handling the optical pickup

- In order to maintain quality during transport and before installation, both sides of the laser diode on the replacement optical pickup are shorted. After replacement, return the shorted parts to their original condition. (Refer to the text.)
- Do not use a tester to check the condition of the laser diode in the optical pickup. The tester's internal power source can easily destroy the laser diode.

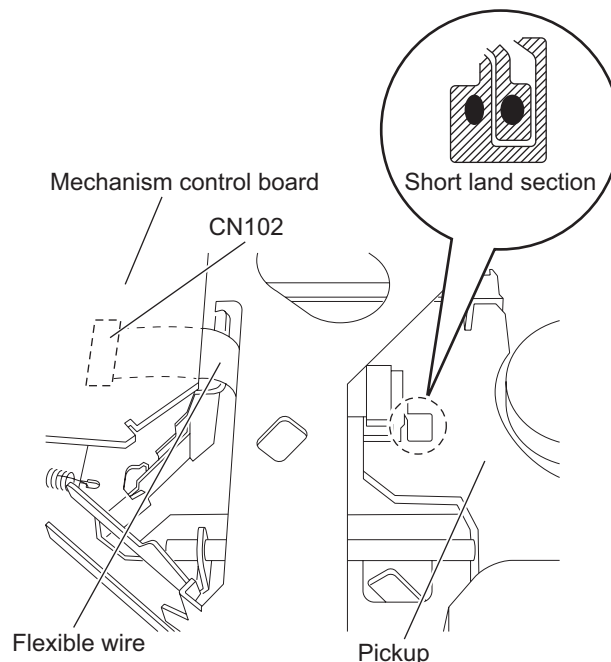
1.3 Handling the traverse unit (optical pickup)

- (1) Do not subject the traverse unit (optical pickup) to strong shocks, as it is a sensitive, complex unit.
- (2) Cut off the shorted part of the flexible cable using nippers, etc. after replacing the optical pickup. For specific details, refer to the replacement procedure in the text. Remove the anti-static pin when replacing the traverse unit. Be careful not to take too long a time when attaching it to the connector.
- (3) Handle the flexible cable carefully as it may break when subjected to strong force.
- (4) It is not possible to adjust the semi-fixed resistor that adjusts the laser power. Do not turn it.

1.4 Attention when traverse unit is decomposed

***Please refer to "Disassembly method" in the text for the pickup unit.**

- Apply solder to the short land before the card wire is disconnected from the connector on the pickup unit. (If the card wire is disconnected without applying solder, the pickup may be destroyed by static electricity.)
- In the assembly, be sure to remove solder from the short land after connecting the card wire.



1.5 Important for laser products

1.CLASS 1 LASER PRODUCT

2.CAUTION :

(For U.S.A.) Visible and/or invisible class II laser radiation when open. Do not stare into beam.

(Others) Visible and/or invisible class 1M laser radiation when open. Do not view directly with optical instruments.

3.CAUTION : Visible and/or invisible laser radiation when open and inter lock failed or defeated. Avoid direct exposure to beam.

4.CAUTION : This laser product uses visible and/or invisible laser radiation and is equipped with safety switches which prevent emission of radiation when the drawer is open and the safety interlocks have failed or are defeated. It is dangerous to defeat the safety switches.

(For U.S.A.)

CAUTION : Visible and/or invisible class II laser radiation when open. Do not stare into beam.

(Others)

CAUTION : Visible and/or invisible class 1M laser radiation when open. Do not view directly with optical instruments

ACHTUNG: Sichtbare und/oder unsichtbare Laserstrahlung der Klasse 1M bei offenen Abdeckungen. Nicht direkt mit optischen Instrumenten betrachten.

ATTENTION: Rayonnement laser visible et/ou invisible de classe 1M une fois ouvert. Ne pas regarder directement avec des instruments optiques.

VOORZICHTIG: Zichtbare en/of onzichtbare klasse 1M laserstralen indien geopend. Bekijk niet direct met optische instrumenten.

ATTENZIONE: Radiazione laser in classe 1M visibile e/o invisibile quando aperto. Non osservare direttamente con strumenti ottici.

WARNING: Synlig och/eller osynlig laserstrålning, klass 1M, när denna del är öppnad. Betrakta ej strålen med optiska instrument.

VARO! Avattaessa olet alttiina nakyyvalle ja/tai näkymättömälle luokan 1M lasersäteilylle. Älä tarkastele sitä optisen laitteen läpi.

ADVASEL: Synlig og/eller usynlig klasse 1M-laserstråling ved åbning. Se ikke direkte med optiske instrumenter.

AVISO: Radiación láser de clase 1M visible y/o invisible cuando está abierto. No mirar directamente con instrumental óptico.

PRECAUÇÃO: Radiação laser de classe 1M visível e/ou invisível quando aberto. Não olhe diretamente com instrumentos ópticos.

5.CAUTION : If safety switches malfunction, the laser is able to function.

6.CAUTION : Use of controls, adjustments or performance of procedures other than those specified here in may result in hazardous radiation exposure.



CAUTION Please use enough caution not to see the beam directly or touch it in case of an adjustment or operation check.

PRECAUÇÃO: Radiação laser de classe 1M visível e/ou invisível quando aberto. Não olhe diretamente com instrumentos ópticos.

ПРЕДУПРЕЖДЕНИЕ: В открытом состоянии происходит видимое и/или невидимое излучение лазера класса 1M. Не смотрите непосредственно в оптические инструменты.

UWAGA: Otwarcie spowoduje narażenie na widzialne i/lub niewidzialne promieniowanie lasera klasy 1M. Nie patrzeć bezpośrednio w przyrządy optyczne.

UPOZORNĚNÍ: Při otevření vydává viditelné popř. neviditelné laserové ozáření třídy 1M. Nedívejte se do otvoru přímo s optickými nástroji.

FIGYELMEZTETÉS: Látható és/vagy láthatatlan 1M osztályú sugárzás nyitott állapotban. Ne nézze közvetlenül optikai műszerekkel.

注意：打開蓋板可能會產生可見或不可見的 1M 級鐳射。不要使用光學儀器直接進行窺視。

注意：打开蓋板可能会产生可见或不可见的 1M 级鐳射。不要使用光学仪器直接进行窺視。

تنبيه: يوجد إشعاع ليزري مرئي و/أو غير مرئي من الفئة 1M عندما يكون الجهاز مفتوحاً. تجنب النظر مباشرة داخل الجهاز باستخدام أدوات بصرية.

احتياط: هنگامی که باز گردد، تشعشع مرئی و یا نامرئی کلاس 1M لیزر وجود دارد. با لوازم چشمی مستقیماً به آن نگاه نکنید.

주의: 개방하면 가시 및/또는 비가시 클래스 1M 레이저 방사선이 나옵니다. 광학 기구로 직접 들여다보지 마십시오.

REPRODUCTION AND POSITION OF LABELS and PRINT WARNING LABEL and PRINT

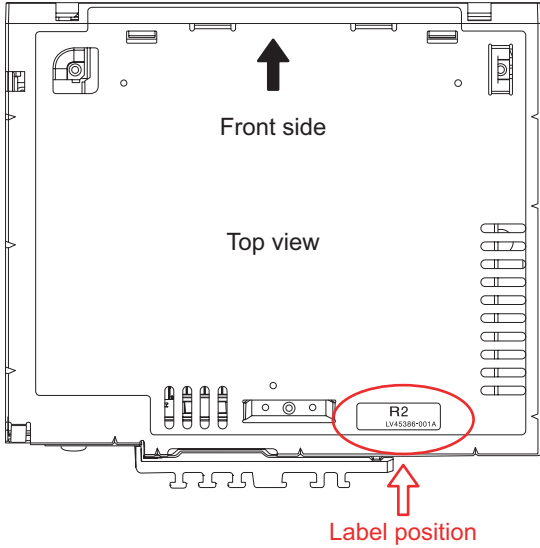


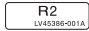
CAUTION VISIBLE AND/OR INVISIBLE CLASS 1M LASER RADIATION WHEN OPEN. DO NOT VIEW DIRECTLY WITH OPTICAL INSTRUMENTS. IEC60825-1:2001 (ENG)	ATTENTION RAYONNEMENT LASER DE CLASSE 1M INVISIBLE ET/OU INVISIBLE DE CLASSE 1M UNE FOIS OUVERT. NE PAS REGARDER DIRECTEMENT AVEC DES INSTRUMENTS OPTIQUES. (FRA)	AVISO RADIACIÓN LASER DE CLASE 1M VISIBLE Y/O INVISIBLE CUANDO ESTÁ ABIERTO. NO MIRAR DIRECTAMENTE CON INSTRUMENTAL ÓPTICO. (ESP)	WARNING SYNLIG OCH/ELLER OSYNLIG LASERSTRÅLNING, KLASS 1M, NÄR DENNA DEL ÄR ÖPPNAD. BETRAKTA EJ STRÅLEN MED OPTISKA INSTRUMENT. (SWE)	注意 ニモ見なくとも可視 及び/または不可視 のクラス1M レーザー放射が 出ます。 光学観望で直接 見ないでください。 (JPN)	CAUTION VISIBLE AND/OR INVISIBLE CLASS II LASER RADIATION WHEN OPEN. DO NOT STARE INTO BEAM. FDA 21 CFR (ENG) LV44639-003A
--	--	---	---	---	---

SECTION 2 SPECIFIC SERVICE INSTRUCTIONS

2.1 Identification method

Supported reduction in cost, and board contents was changed.
A set put the following label on is an object.



 Change pwb parts

SECTION 3 DISASSEMBLY

3.1 Main body (Used figure are KD-A305)

3.1.1 Removing the Bottom chassis (See Fig.1, 2)

- (1) Remove the two screws **A** and one screw **B** attaching the Heat sink. (See Fig.1)
- (2) Remove the two screws **C**, two screws **D** and one screw **E** attaching the Bottom chassis and then slide to backward the Bottom chassis. (See Fig.2)

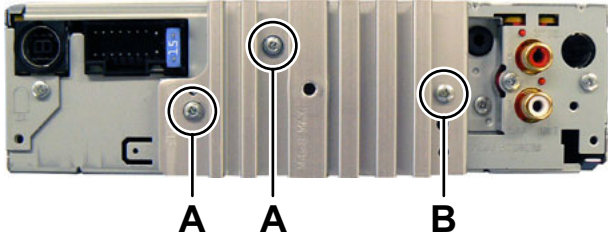


Fig.1

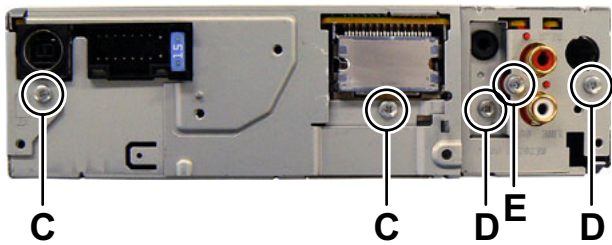


Fig.2

3.1.2 Removing the Front chassis (See Fig.3)

- (1) Disengage four hooks **a** engaged both side of the Front chassis.

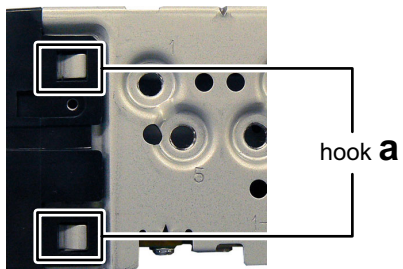


Fig.3

3.1.3 Removing the Main board (See Fig.4, 5)

- (1) Remove the two screws **F** and one screw **G** attaching the side plate. (See Fig.4)
- (2) Remove the three screws **H** attaching the Main board. (See Fig.5)
- (3) Disconnect the connector [CN501](#) of the main board from CD mechanism. (See Fig.5)

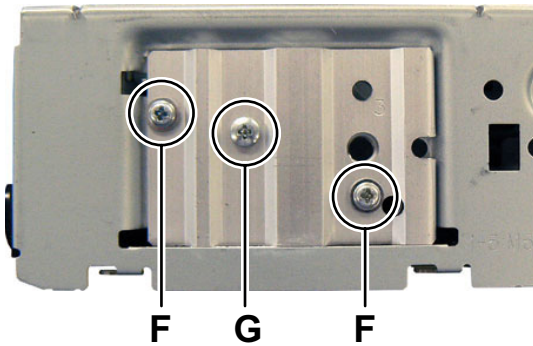


Fig.4

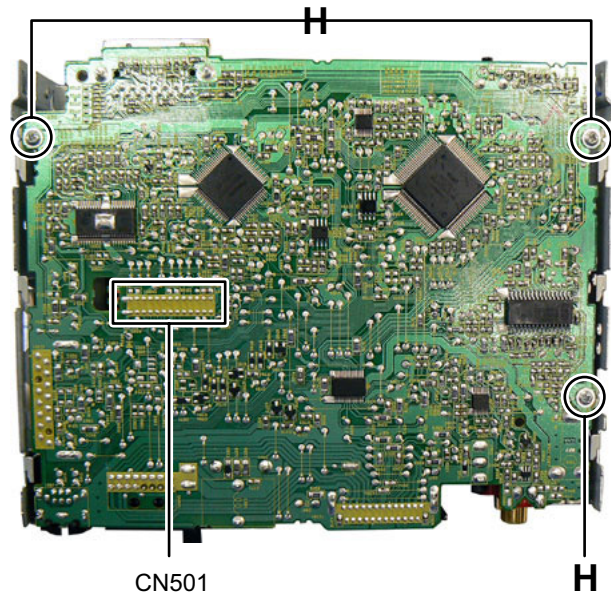


Fig.5

3.1.4 Removing the CD mechanism (See Fig.6)

- (1) Remove the three screws **J** attaching the CD mechanism.

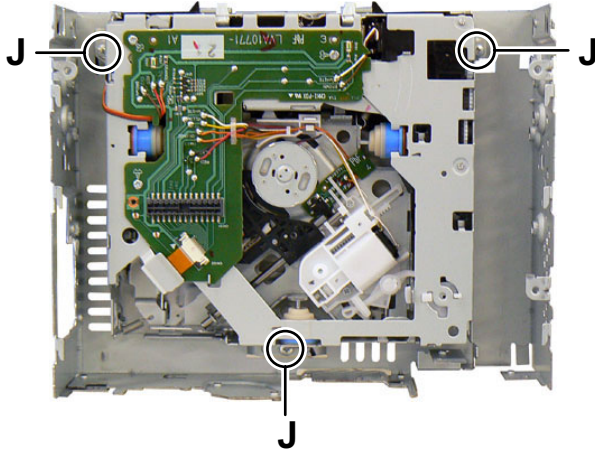


Fig.6

3.1.5 Removing the Switch board (See Fig.7)

- (1) Remove the Volume knob.
- (2) Remove the four screws **K** attaching the Rear cover.
- (3) Disengage eleven hooks **b** engaged Rear cover.

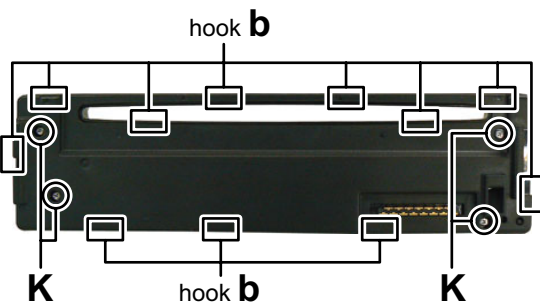


Fig.7

3.1.6 CD MECHANISM assembly section

- Remove the CD MECHANISM assembly from the main body.

3.1.7 Removing the MECHANISM CONTROL BOARD assembly (See Fig.1 and 2)

- (1) From the bottom side of CD MECHANISM assembly, remove the solders from the soldered sections (a, b and c) on the MECHANISM CONTROL BOARD assembly. (See Fig.1.)
- (2) Remove the three screws **A** and one screw **B** attaching the MECHANISM CONTROL BOARD assembly. (See Fig.1.)
- (3) Solder the short land sections on the pickup. (See Fig.2.)

Caution:

- Solder the short land sections on the pickup before disconnecting the flexible wire from the connector [CN102](#) on the MECHANISM CONTROL BOARD assembly.
If the card wire is disconnected without attaching solder, the pickup may be destroyed by static electricity. (See Fig.2.)
- When attaching the MECHANISM CONTROL BOARD assembly, remove the solders from the short land sections after connecting the flexible wire to the connector [CN102](#) on the MECHANISM CONTROL BOARD assembly.

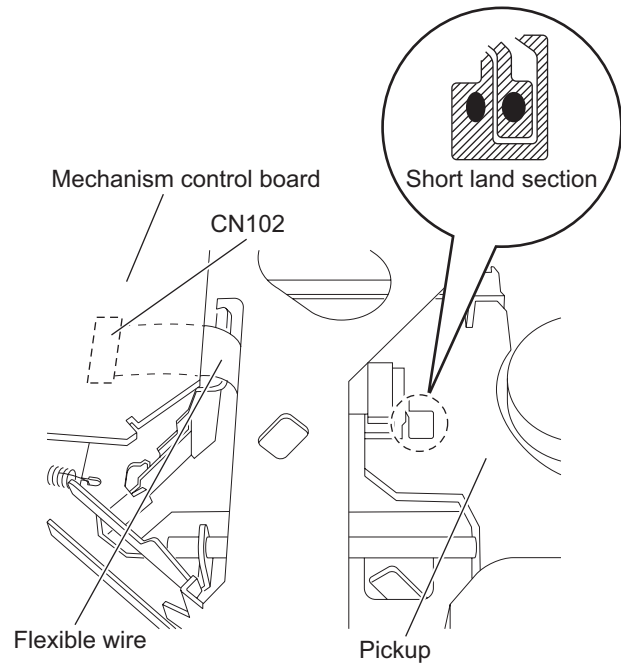


Fig.2

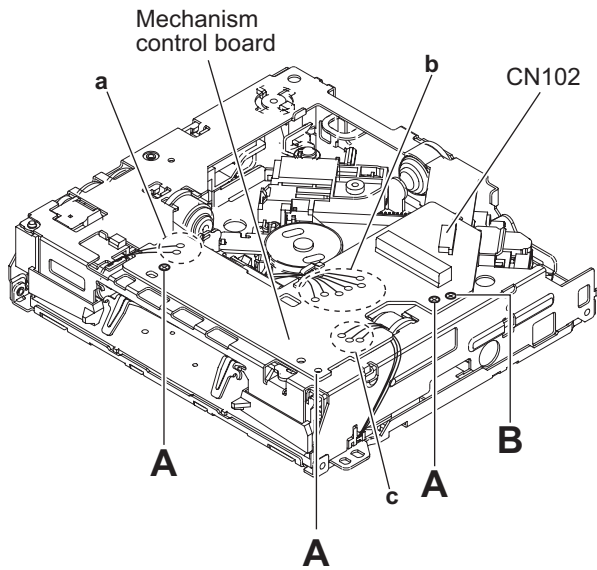


Fig.1

3.1.8 Removing the top cover (See Fig.3 to 5)

- Remove the MECHANISM CONTROL BOARD assembly.
 - From the front side of the CD MECHANISM assembly, change the hook position of the two roller springs. (See Fig.3.)
 - From the side of the CD MECHANISM assembly, remove the six screws **C** attaching the top cover. (See Fig.3 and 4.)
 - Take out the top cover in an upward direction. (See Fig.5.)

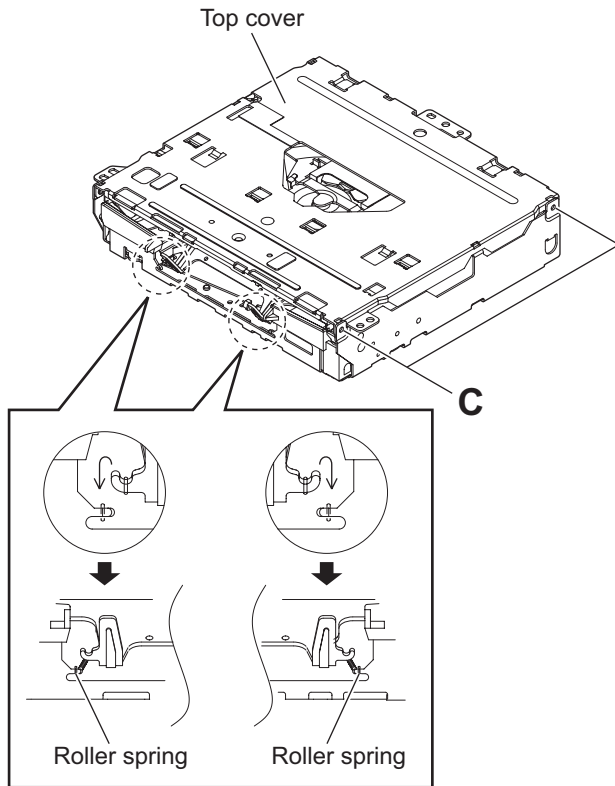


Fig.3

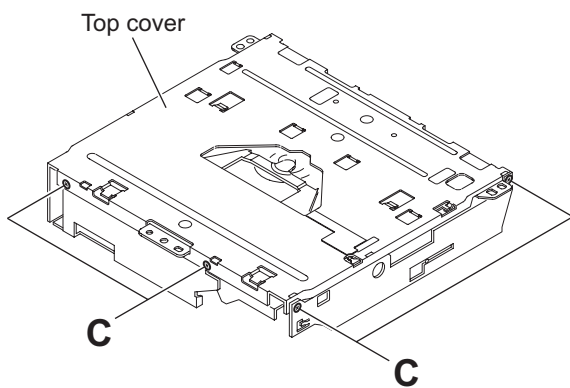


Fig.4

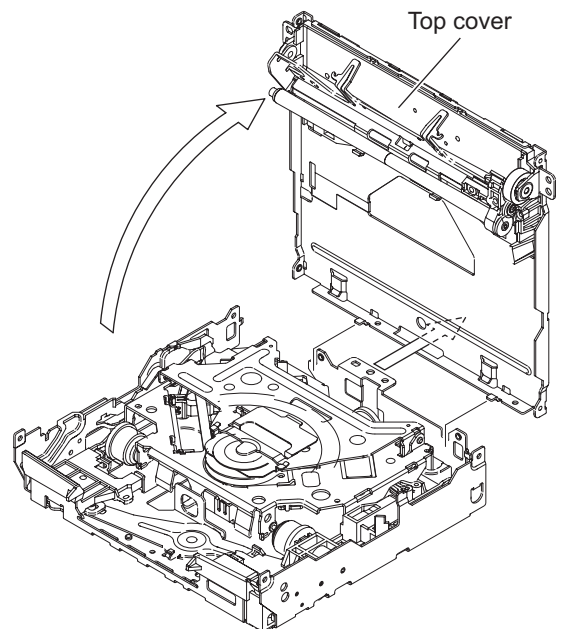


Fig.5

3.1.9 Removing the roller (See Fig.6)

- Remove the MECHANISM CONTROL BOARD assembly and top cover.
 - From the bottom side of the top cover, remove the screw **D** attaching the gear holder.
 - Remove the R.holder assembly from disc plate, and then take out the roller from R.holder assembly in the direction of the arrow.

Reference:

When attaching the R.ACT gear (2) and R.ACT gear (3), apply grease to the section **d** of R.holder assembly.

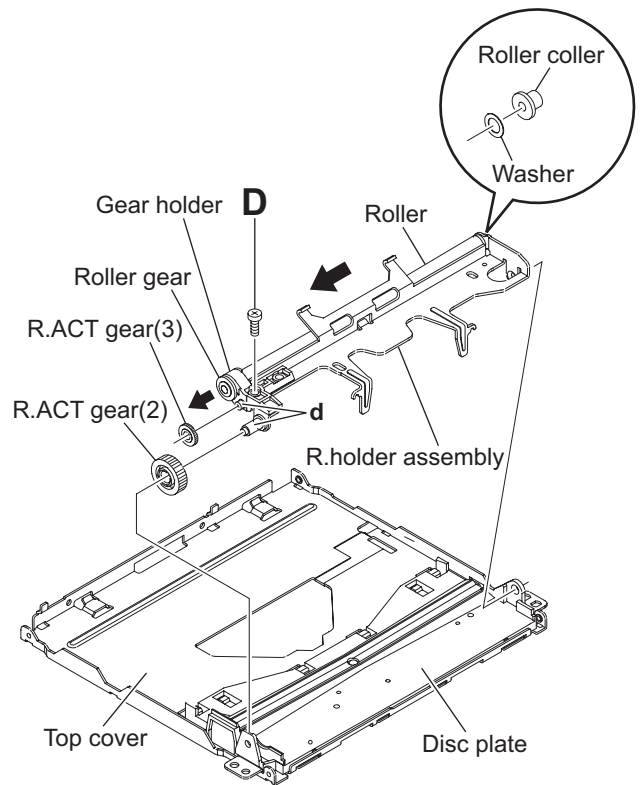
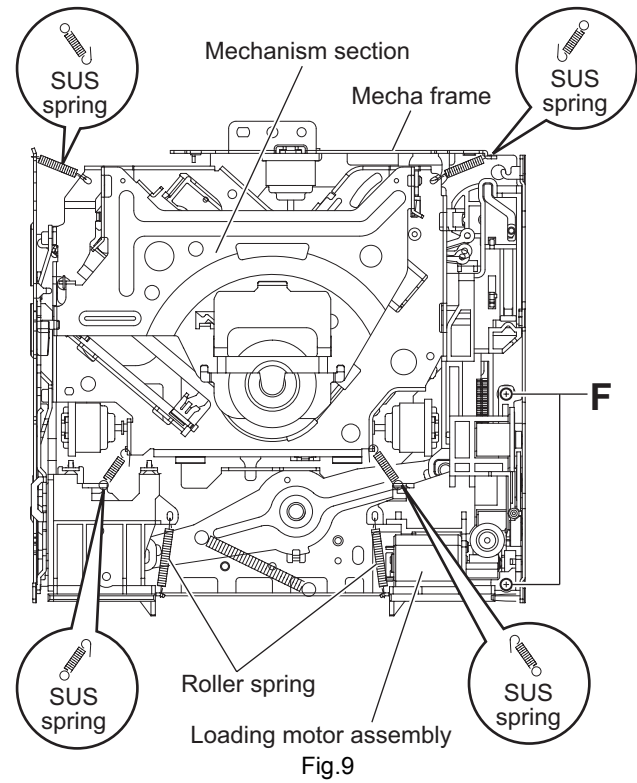
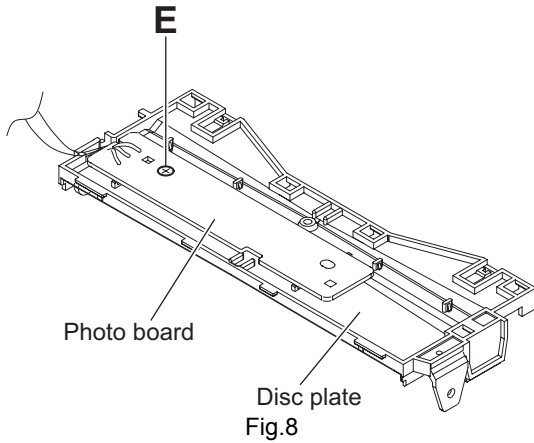
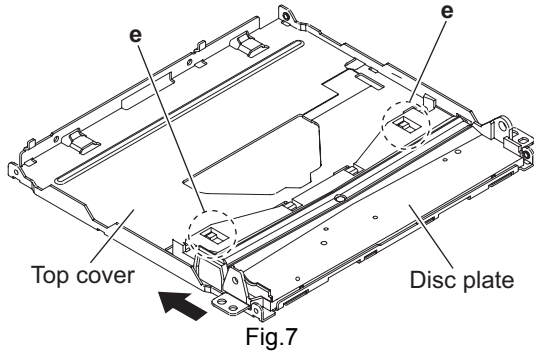


Fig.6

3.1.10 Removing the PHOTO BOARD assembly (See Fig.7 and 8)

- Remove the MECHANISM CONTROL BOARD assembly and top cover.
 - From the bottom side of the top cover, release the projection **e** from the notch of the disc plate. (See Fig.7.)
 - Take out the disc plate in the direction of the arrow. (See Fig.7.)
 - From the reverse side of the disc plate, remove the screw **E** attaching the PHOTO BOARD assembly. (See Fig.8.)



3.1.11 Removing the mechanism section (See Fig.9 and 10)

- Remove the MECHANISM CONTROL BOARD assembly and top cover.
 - From the top side of the CD MECHANISM assembly, remove the two screws **F** attaching the loading motor assembly. (See Fig.9.)
 - Remove the two roller springs on the top side of the mecha frame. (See Fig.9.)
 - Remove the four SUS springs on the top side of the mecha frame. (See Fig.9.)
 - Remove the link spring on the top side of the mecha frame. (See Fig.10.)
 - Release section **f** of the three dampers from the mecha frame. (See Fig.10.)

Reference:

When attaching the roller spring and SUS spring, keep direction before remove.

- Move the slide cam (R) assembly in the direction of the arrow, and then take out the mechanism section in an upward direction. (See Fig.10.)

Reference:

When attaching the mechanism section, apply grease to the section **g**. (See Fig.10.)

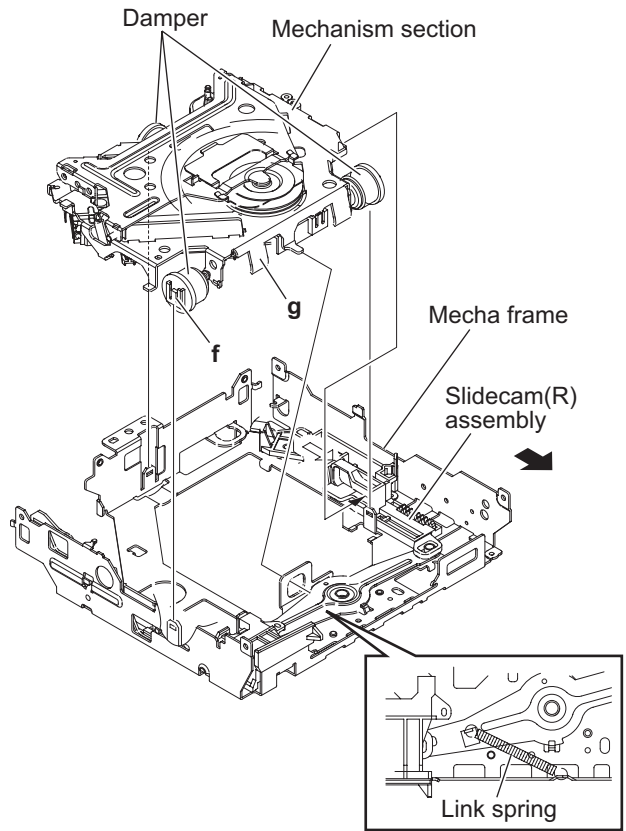


Fig.10

3.1.12 Removing the slide cam (L) (See Fig.11 to 13)

- Remove the MECHANISM CONTROL BOARD assembly, top cover and mechanism section.
 - From the top side of the mecha frame, remove the screw **G** attaching the cam cover. (See Fig.11.)
 - Take out the cam cover from mecha frame in an upward direction. (See Fig.11.)
 - Take out the slide cam (L) in the direction of the arrow. (See Fig.12.)

Reference:

When attaching the slide cam (L), apply grease to the section **h**. (See Fig.13.)

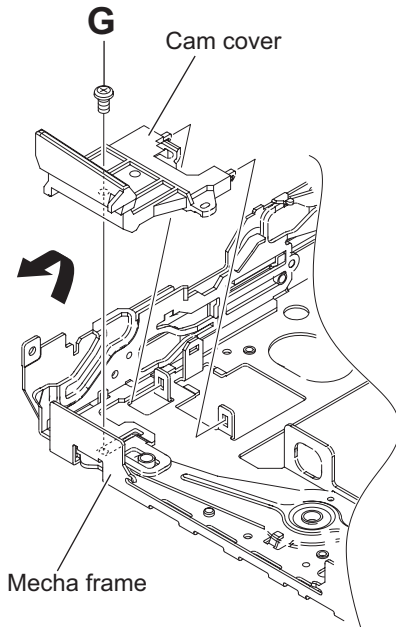


Fig.11

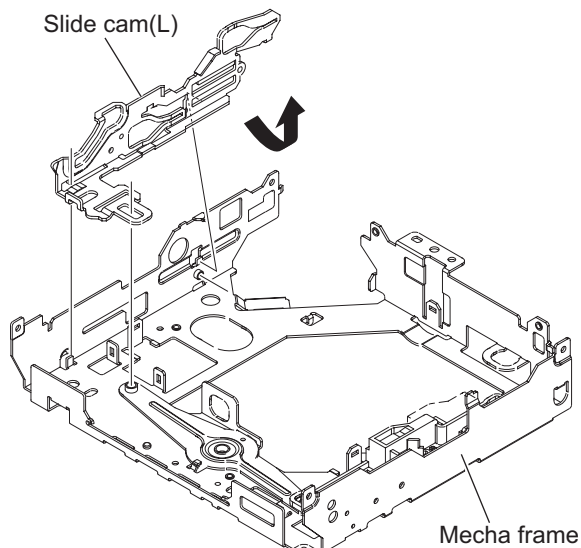


Fig.12

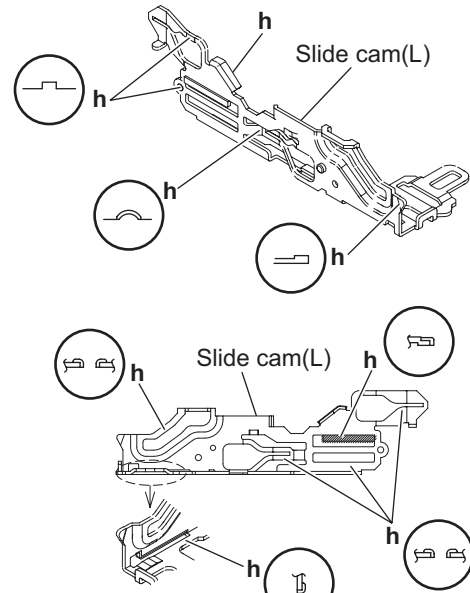


Fig.13

3.1.13 Removing the F.lock lever and slide cam (R) (See Fig.14 and 15)

- Remove the MECHANISM CONTROL BOARD assembly, top cover and mechanism section.
 - From the top side of the mecha frame, take out the slide cam (R) assembly in an upward direction. (See Fig.14.)
 - Rotate the F.lock lever in the direction of the arrow 1, and then take out the direction of the arrow 2. (See Fig.14.)

Reference:

When attaching the slide cam (R) assembly, the f.lock lever and the link arm apply grease to the section **h**. (See Fig.14 and 15.)

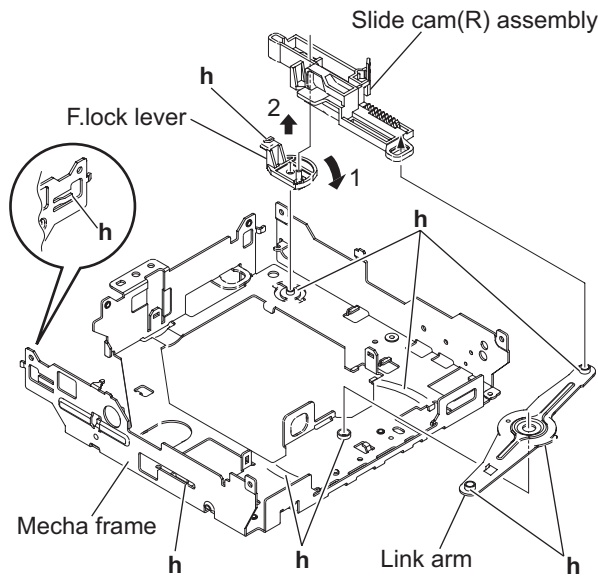


Fig.14

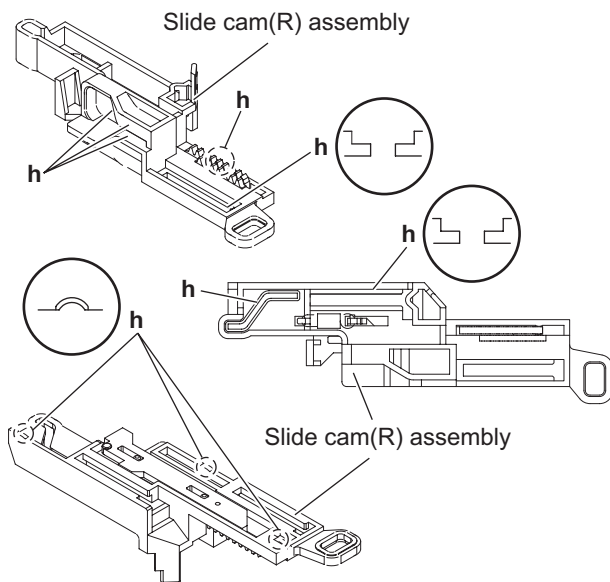


Fig.15

3.1.14 Removing the damper (See Fig.16)

- Remove the MECHANISM CONTROL BOARD assembly, top cover and mechanism section.

From the mechanism section, pull out the three dampers in the direction of the arrow.

Reference:

Before inserting the shaft to the dampers, apply IPA to the pocket **j** of damper.

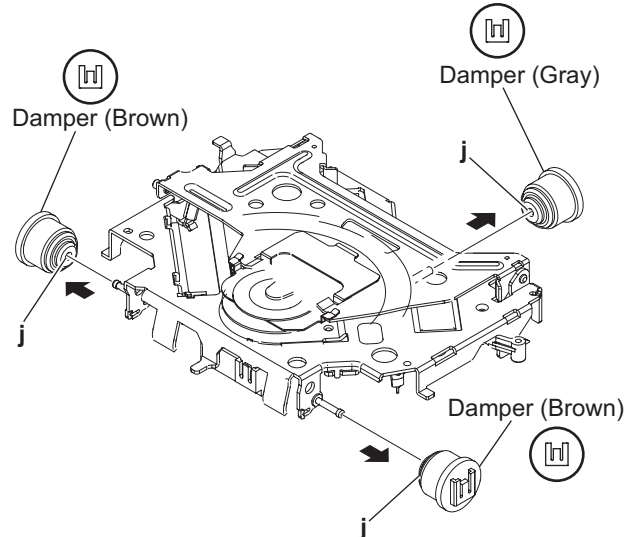


Fig.16

3.1.15 Removing the clamber assembly (See Fig.17)

- Remove the MECHANISM CONTROL BOARD assembly, top cover and mechanism section.
 - From the top side of the mechanism section, release the clamber spring.
 - Move the clamber assembly in the direction of the arrow, and then release the joints (**k** and **m**).
 - Take out the clamber assembly from the T.M chassis assembly.

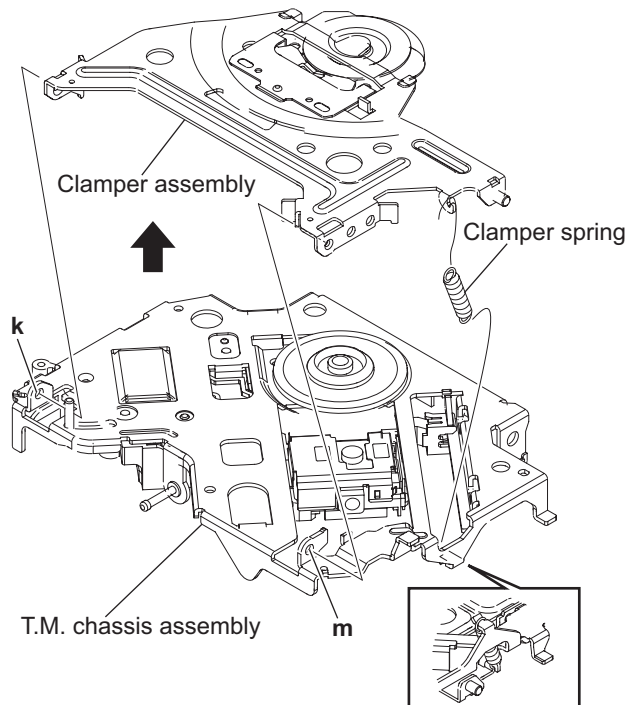


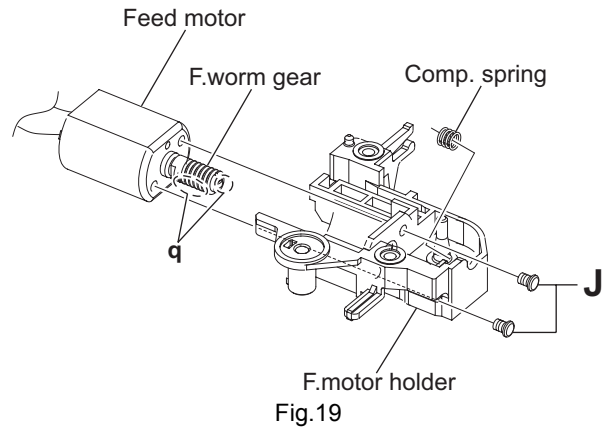
Fig.17

3.1.16 Removing the feed motor (See Fig.18 and 19)

- Remove the MECHANISM CONTROL BOARD assembly, top cover, mechanism section and clamber assembly.
 - From the bottom side of the T.M chassis assembly, remove the two screws **H** attaching the feed motor assembly. (See Fig.18.)
 - Remove the two screws **J** attaching the feed motor to f.motor holder. (See Fig.19.)

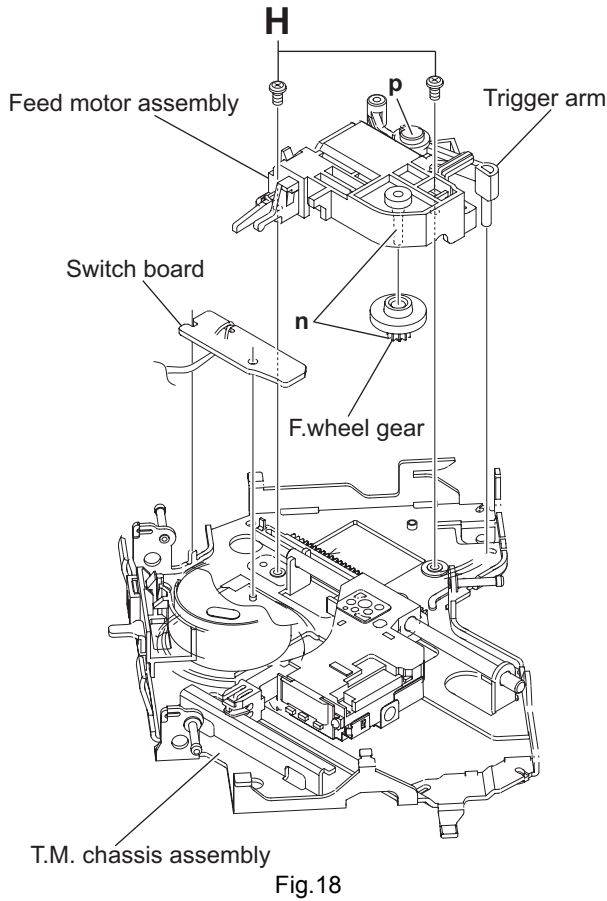
Reference:

When attaching the f. wheel gear, trigger arm and feed motor, apply grease to the sections (**n**, **p** and **q**). (See Fig.18 and 19.)



3.1.17 Removing the SWITCH BOARD assembly (See Fig.18)

- Remove the MECHANISM CONTROL BOARD assembly, top cover, mechanism section, clamber assembly and feed motor assembly. From the bottom side of the T.M chassis assembly, take out the SWITCH BOARD assembly in an upward direction from T.M chassis assembly.

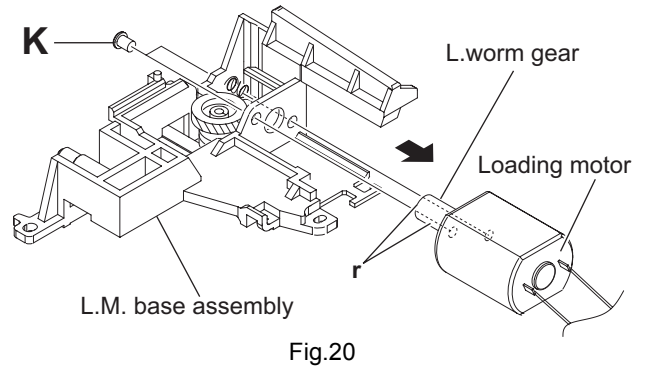


3.1.18 Removing the loading motor (See Fig.20)

- Remove the MECHANISM CONTROL BOARD assembly, top cover, mechanism section and clamber assembly.
 - From the right side of the L.M base assembly, remove the two screws **K** attaching the loading motor.
 - Take out the loading motor in the direction of the arrow from the L.M base assembly.

Reference:

When attaching the loading motor, apply grease to the section **r**.



3.1.19 Removing the pickup assembly (See Fig.21 to 22)

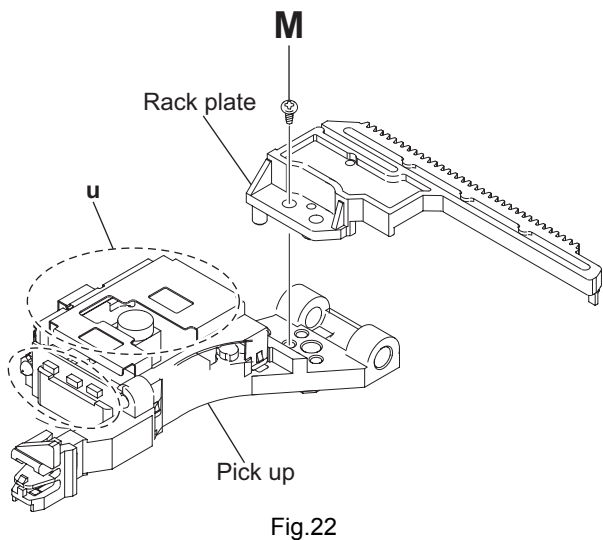
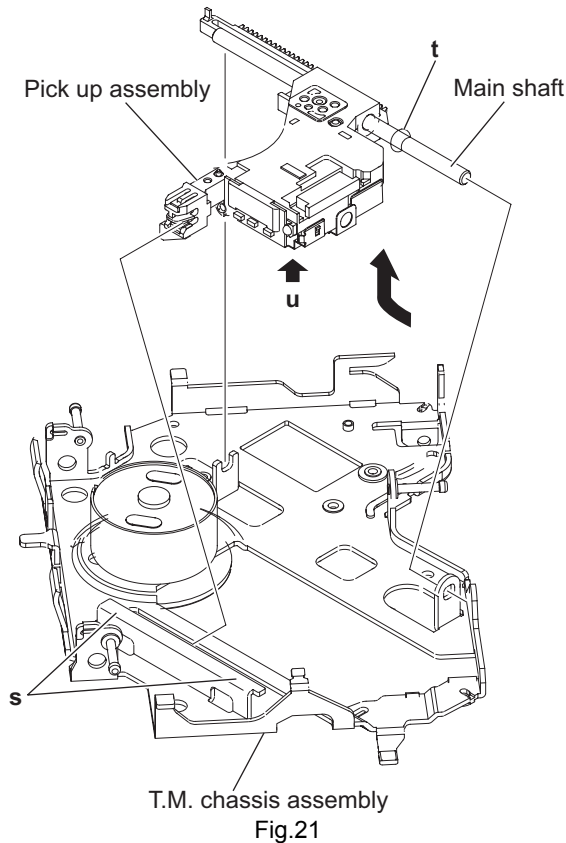
- Remove the MECHANISM CONTROL BOARD assembly, top cover, mechanism section, clamber assembly and feed motor assembly.

Caution:

- Do not touch section **u** on the pickup assembly. (See Fig.21 and 22.)
- (1) From the bottom side of the T.M chassis assembly, move the pickup assembly in the direction of the arrow from the T.M chassis assembly. (See Fig.21.)
 - (2) Pull out the main shaft. (See Fig.21.)
 - (3) Remove the screw **M** attaching the pickup to the rack plate. (See Fig.22.)

Reference:

When attaching the loading motor, apply grease to the sections **s** and **t**. (See Fig.21.)

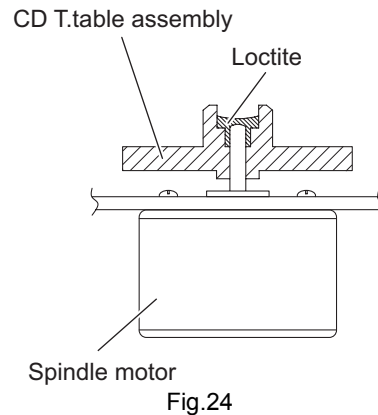
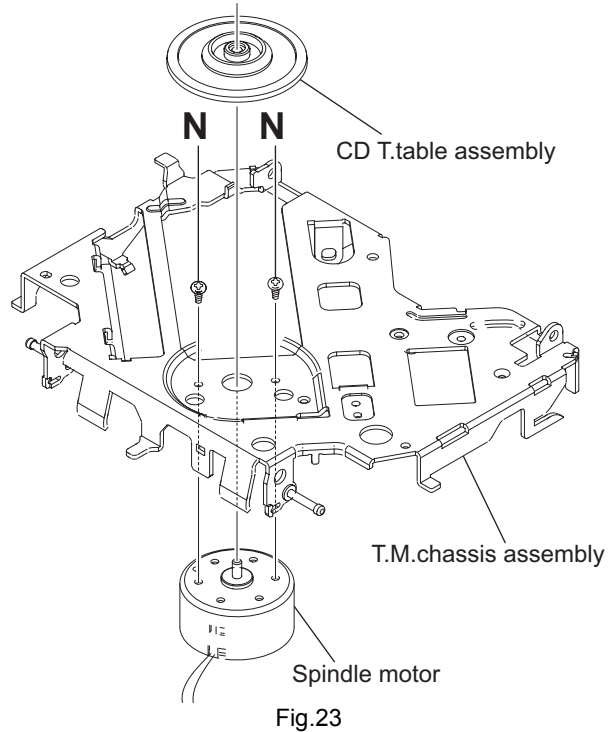


3.1.20 Removing the spindle motor (See Fig.23 and 24)

- Remove the MECHANISM CONTROL BOARD assembly, top cover, mechanism section, clamber assembly, feed motor assembly and pickup assembly.
- (1) From the top side of the T.M chassis assembly, remove the CD T.table assembly from the spindle motor. (See Fig.23.)
 - (2) Remove the two screws **N** attaching the spindle motor. (See Fig.23.)
 - (3) Take out the spindle motor from the bottom side of the T.M chassis assembly. (See Fig.23.)

Reference:

When attaching the CD T.table assembly to the spindle motor shaft, apply loctite 460 to inside the CD T.table assembly. (See Fig.24.)



SECTION 4 ADJUSTMENT

4.1 Adjustment

Test instruments required for adjustment

- (1) Digital oscilloscope (100MHz)
- (2) Digital tester
- (3) Test Disc
- (4) Extension cable : EXTGS004-26PL

Standard volume position

Balance and Bass & Treble volume : Indication "0"
Loudness : OFF

Standard measuring conditions

Power supply voltage DC 14.4V(10.5 to 16V)
Load impedance 20K ohm (2 Speakers connection)

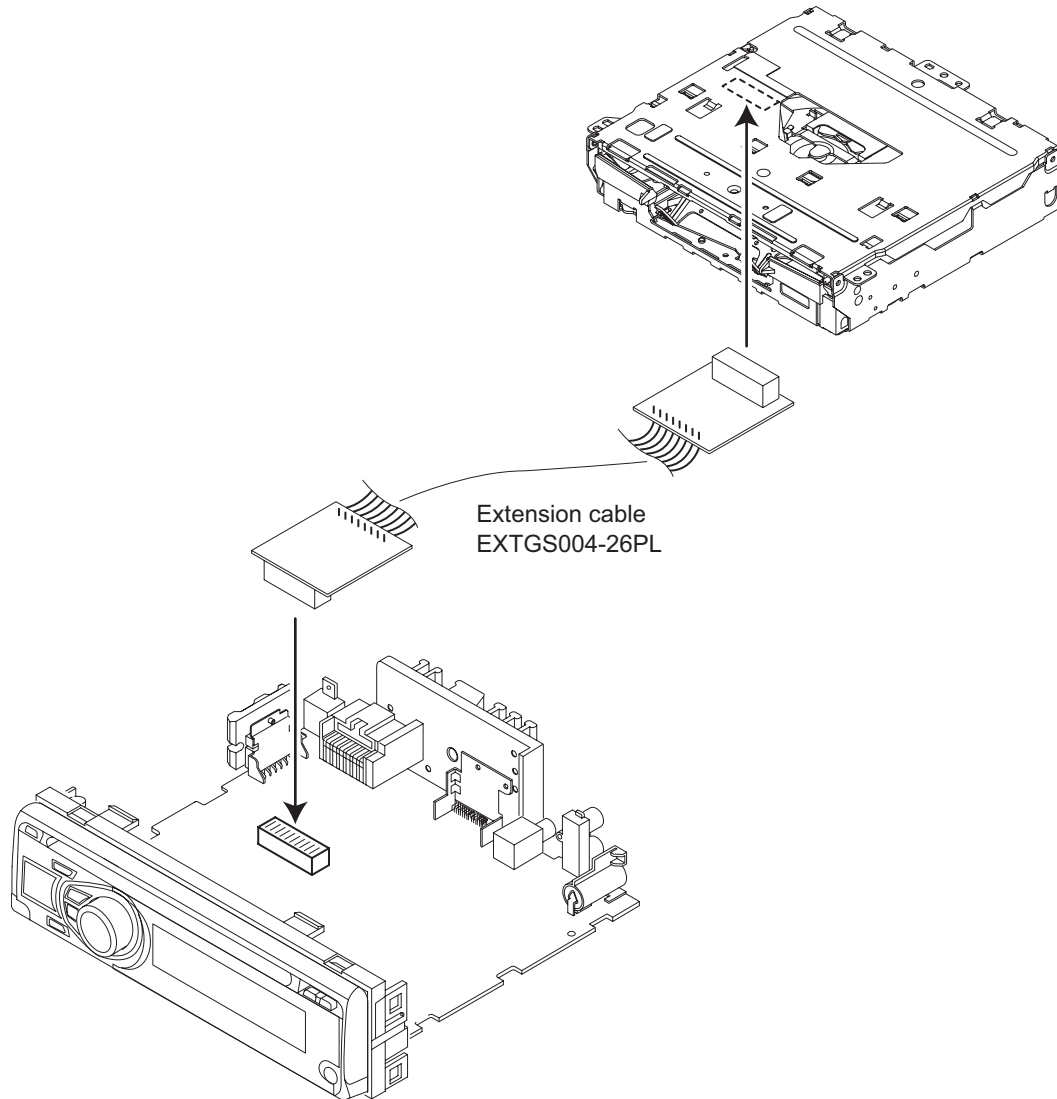
Dummy load

Exclusive dummy load should be used for AM, and FM.
For FM dummy load, there is a loss of 6dB between SSG output and antenna input.
The loss of 6dB need not be considered since direct reading of figures are applied in this working standard.

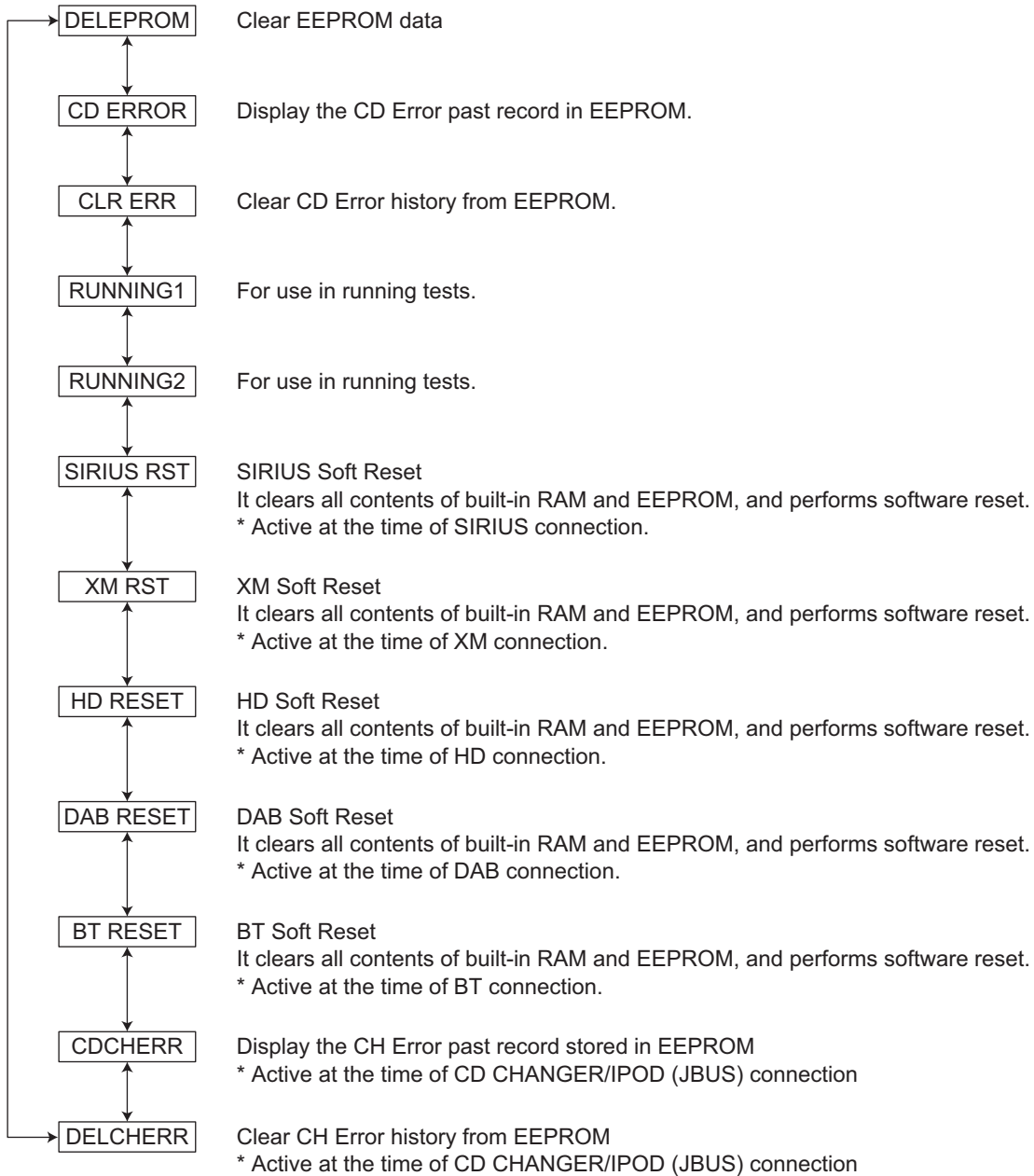
How to connect the extension cable for adjusting

Be sure to attach the heat sink and rear bracket onto the power amplifier IC and regulator IC respectively, before supply the power.

If voltage is applied without attaching these parts, the power amplifier IC and regulator IC will be destroyed by heat.



4.2 SERVICE MODE



4.3 TUNER SERVICE MODE

Key operation (FM, AM and DAB mode)

Enter service mode: [SEL] [MENU] (3 sec)

Exit service mode: press [ENTER] (SEL) key.

Go to next item: press [DISP] key

Back to previous item: press [BACK] key

VER=#***	MICON version display # indicates destination: J=USA, U=OTHERS (eg. ASIA), R=EUROPE, E=EASTERN EUROPE *** indicates version No.
#####	Tuner device and version identification display Display :TOM V1 for TOMIC V1 tuner. Display :TOM V2 for TOMIC V2 tuner. Display :ATOM V2 for ATOMIC V2 tuner. Display :ATOM V3 for ATOMIC V3 tuner.
TINJ= ##	Tuner injection indicator "##" indicates current tuner injection.
SPI=#####	FOR DAB ONLY To link SID display that DAB receives and FM station (Search PI), the reception situation of DA displayed. "#####" indicates SID code.
FOR RDS ONLY	
PI =#####	PI display of receiving station, "#####" indicates PI code.
PTY=##	PTY display of receiving station (00~29), "##" indicates PTY code.
TP=#TA=*	TP, TA display of receiving station "#" indicates TP ON/OFF: 1=ON; 0=OFF; "*" indicates TA ON/OFF: 1=ON; 0=OFF.
MS=#DI=*	M/S, DI display of receiving station "#" indicates M/S ON/OFF: 1=ON; 0=OFF; "*" indicates DI ON/OFF: 1=ON; 0=OFF.
AF=#####	Display the contents of AF memory (by scrolling) "#####" indicate AF frequencies.
LEV= ##H	Fieldstrength indicator.
U&W= ##H	Adjacent and Multipath noise level indicator.
IFC= ##H	IF COUNTER result indicator.
IFBW= #	FM IF filter bandwidth indicator.
RFAGC=##	FM RF AGC resulting attenuation.
IFAGC=##	FM IF AGC resulting attenuation.
##**	CLOCK display of receiving station (Original DISP key operation)
#####	FOR RDS ONLY PS NAME display of receiving station (Original DISP key operation)
#####	FREQUENCY display of receiving station (Original DISP key operation)

4.4 ERROR CODE

4.4.1 Mechanical Error Detail Codes

Condition	Details	Error Code	Detail Code
Disc Loading Error			
(1) B1 Time Out	After detecting SW1=L, it does not become SW2=L	09	0011
(2) B2 Time Out	After detecting SW2=H, it does not become SW2=L	09	0012
(3) C1 Time Out	After detecting SW2=L, it does not become SW2=H	09	0013
Eject Error			
(1) B1 Time Out	After detecting SW2=H, it does not become SW2=L	01	0021
(2) C2 Time Out	After detecting SW2=L, it does not become SW2=H	01	0022
(3) B2 Time Out	After detecting SW1=L, it does not become SW2=L immediately after RESET and so on.	01	0023
(4) D0 Panel Close	Disc can not be ejected due to closed panel.	01	0024
Forced Eject Error			
(1) E1 Error	SW1=H, SW2=L detected from NO DISC	01	0041
(2) E2 Error	Detected SW1=L after RESET and then detected SW1=H	01	0042
(3) E3 Error	Detected SW1=H after RESET	01	0043
(4) E4 Error	Detected SW1=H after SW1=L	01	0044
(5) E5 Error	Detected SW1=H after SW2=H→L	01	0045
(6) E6 Error	Time Out for Loading after RESET	01	0046
(7) E7 Error	Detected SW1=H after SW2=H→L→H	01	0047
(8) E8 Error	Eject Key input while the procedure is not completed after Forced Eject execution	01	0048
(9) Error	Eject Key input during Disc is on the way and not completed	01	0049
Loading Waiting Error			
(1) SW1=H or NO DISC detection before Loading Motor activation during Disc is waiting at the waiting location.	Disc is removed or NO DISC detection condition	09	0031
(2) SW2=L before Loading Motor activation during Disc is waiting at the waiting location.	Disc is inserted	09	0032

4.4.2 CD changer mechanism error code

Error contents	Details	Error code	Detail code
Tray eject error	Tray motor time over		
1. TRAYIN SW time over (TRAYIN SW:L TRAYOUT SW:H)	Tray motor does not operate.	03	0011
2. TRAYOUT SW time over (TRAYIN SW:H TRAYOUT SW:H)	Tray stops.	03	0012
3. TRAYIN SW time over (TRAYIN SW:L TRAYOUT SW:L)	TRAYIN SW NG etc.	03	0013
4. MAGIN SW:L→H	Magazine is ejected while Tray is being ejected.	03	0014
Tray return error	Tray motor time over		
1. TRAYOUT SW time over (TRAYIN SW:H TRAYOUT SW:L)	Tray motor does not operate.	03	0016
2. TRAYIN SW time over (TRAYIN SW:H TRAYOUT SW:H)	Tray stops.	03	0017
3. TRAYIN/OUT SW time over (TRAYIN SW:L TRAYOUT SW:L)	TRAYOUT SW NG etc.	03	0018
4. MAGIN SW:L→H	Magazine is ejected while Tray is being returned.	03	0019

Lifter up error	Position motor time over		
1.WAIT position time over	Position motor does not operate.	02	0021
2.WAIT position time over	Position is not stable in fine adjustment mode.	02	0022
3.WAIT position time over	Other condition	02	0023
Lifter down error	Position motor time over		
1.WAIT position time over	Position motor does not operate.	02	0026
2.WAIT position time over	Position is not stable in fine adjustment mode.	02	0027
3.WAIT position time over	Other condition	02	0028
Chucking error	Position motor time over		
1.Play position time over	Position motor does not operate.	02	0031
2.Play position time over	Position is not stable in fine adjustment mode.	02	0032
3.Play position time over	Other condition	02	0033
Unchucking error	Position motor time over		
1.WAIT position time over	Position motor does not operate.	02	0036
2.WAIT position time over	Position is not stable in fine adjustment mode.	02	0037
3.WAIT position time over	Other condition	02	0038
Eject error	Eject cannot be carried out.		
1.Eject position time over	Position motor does not operate.	02	0041
2.Eject position time over	Improper EJECT position.*	02	0042
3.MAGINSW time over	Magazine is not ejected.	01	0043
Initialize error			
1.Mechanism SW NG error	TRAYINSW and TRAYOUTSW are L.	03	0046
2.Absolute position time over	Position is not stable in absolute position.*	02	0047

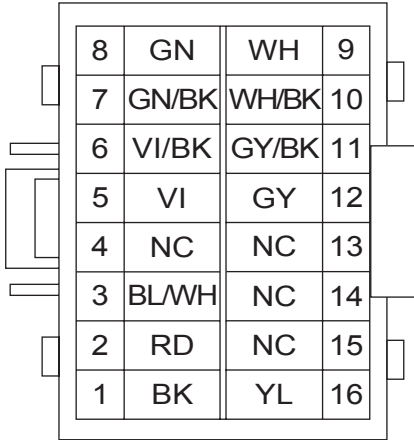
*"Position is not stable in WAIT position," "Position is not stable in PLAY position," and "Position is not stable in absolute position" and "Improper EJECT position" are all Position Motor TIME OVER.

4.4.3 CD changer disc error code

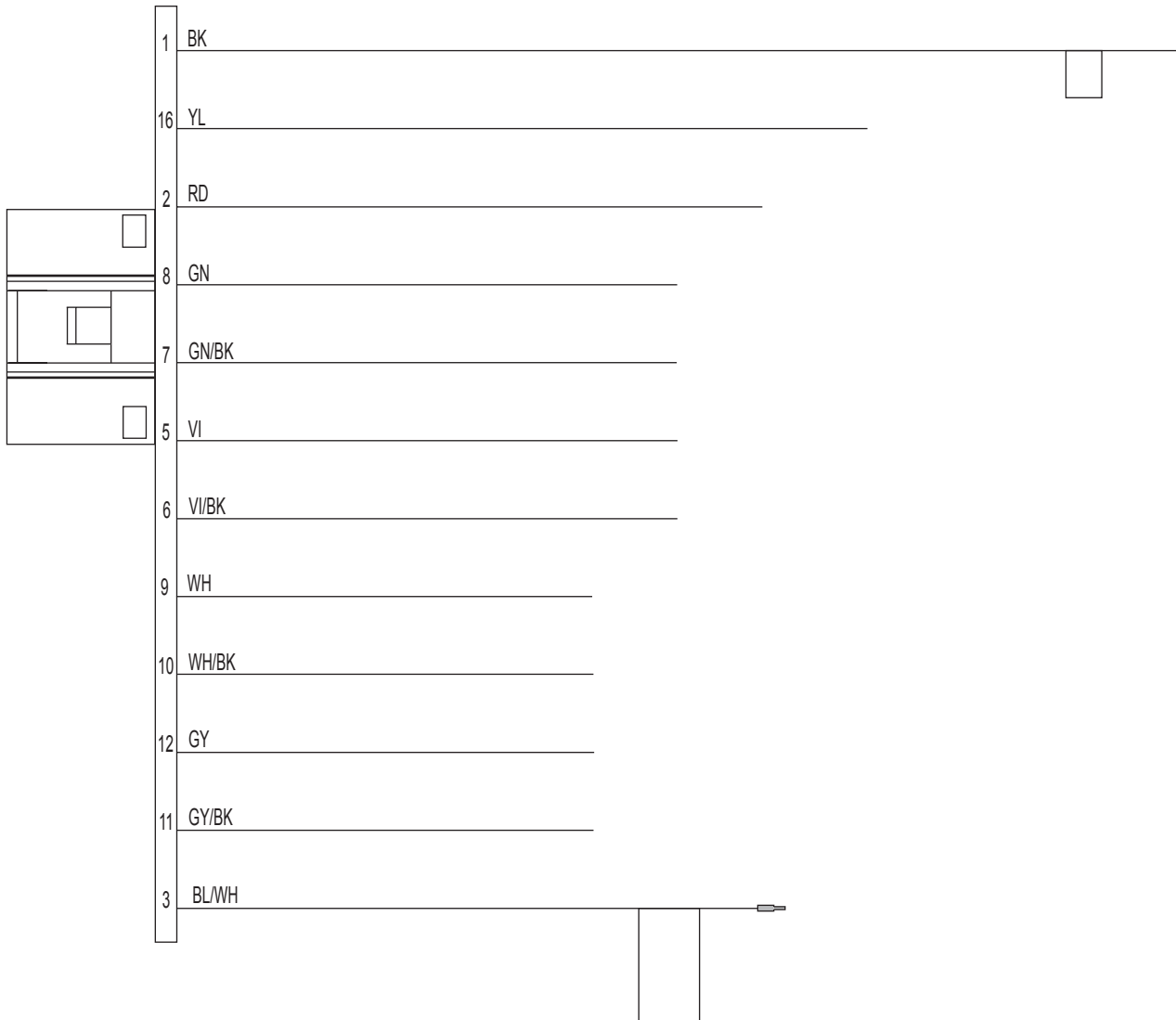
Error contents	Details	Error code	Detail code
Pickup movement error	Time over at PUBWD and PUFWD by monitoring RESET SW.		
1.Time over of pickup movement in an inner direction(10s)	Pickup cannot move in an inner direction. RESET SW is not on.	04	0051
2.Time over of pickup movement in an outer direction(10s)	Pickup cannot move in an outer direction. RESET SW is not off.	04	0052
Focus search error Focus is not adjusted by 3-round focus search	When focus is not adjusted by 3-round(1set) focus search after disc change or focus shock the result is NG	81	0053
Tracking balance adjustment error Time over(1s)	Tracking balance adjustment is not finished 1s after adjustment command(TBA) is executed.	82	0054
TOC area search error Time over(10s)	TOC area search is not finished after 10s.	80	0055
Focus balance adjustment error Time over(2s)	Focus balance adjustment is not finished 2s after adjustment command(FBA) is executed.	82	0056
Focus gain adjustment error Time over(0.6s)	Focus gain adjustment error is not finished 0.6s after adjustment command(FGA) is executed.	82	0057
TOC read error. Time over(30s)	TOC read operation is not finished after 30s.	84	0059
First track access error Time over(10s)	First track access is not finished 10s after TOC reading is finished.	80	0060
Last track access error Time over(10s)	Last track access is not finished 10s after first track in running mode.	80	0061
Q code read error Time over(0.6s)	Q code is not read for 0.6s during playback of TOC and program area.	80	0062

SECTION 5 TROUBLESHOOTING

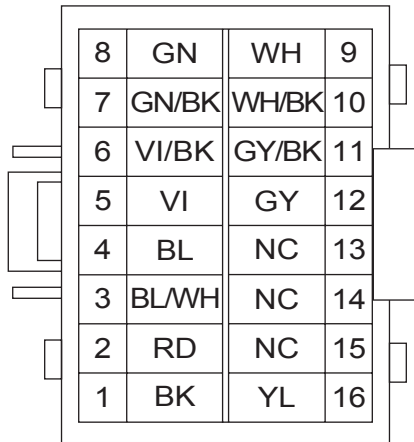
5.1 16 PIN CORD DIAGRAM (For KD-A305, KD-R300, KD-S26)



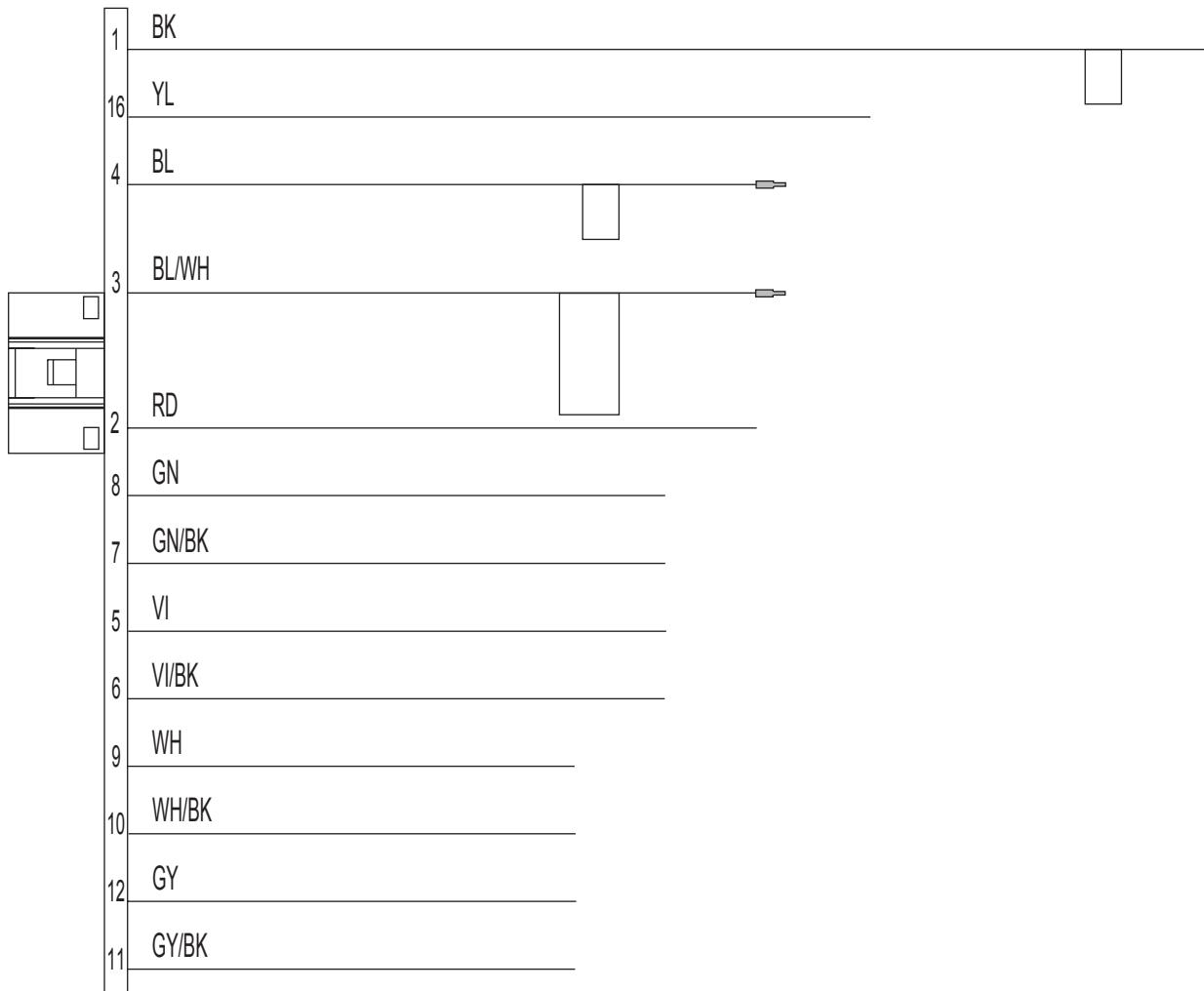
BK	Black	VI	Violet
RD	Red	GN	Green
BL	Blue	GY	Gray
WH	White	YL	Yellow



5.2 16 PIN CORD DIAGRAM (For KD-R404, KD-R405, KD-R406)



BK	Black	VI	Violet
RD	Red	GN	Green
BL	Blue	GY	Gray
WH	White	YL	Yellow





JVC

Victor Company of Japan, Limited
Mobile Entertainment Division 10-1,1chome,Ohwatari-machi,Maebashi-city,371-8543,Japan

(No.MA429<Rev.002>)

Printed in Japan
VSE



REVISION INFORMATION

CD RECEIVER

**KD-A305J, KD-R300J, KD-R404UI,
KD-R405U, KD-R405UN, KD-R405UT,
KD-R405UH, KD-R406U, KD-R406UN,
KD-R406UT, KD-R406UH, KD-S26J**

■ OVERVIEW

Add KD-S26J, supported reduction in cost, and board contents were changed.

■ DETAILS

COVER SECTION

Title	Line	No.MA429<Rev.001>	No.MA429<Rev.002>	Description
Revision		Rev.001	Rev.002	
Issue Date		2008/10	2009/08	
Model No.		KD-A305J, KD-R300J, KD-R404UI, KD-R405U, KD-R405UH, KD-R405UN, KD-R405UT, KD-R406U, KD-R406UH, KD-R406UN, KD-R406UT	KD-A305J, KD-R300J, KD-R404UI, KD-R405U, KD-R405UH, KD-R405UN, KD-R405UT, KD-R406U, KD-R406UH, KD-R406UN, KD-R406UT, KD-S26J	
Cover Illustration		ILLUSTRATION(ma429_0001.png)	ILLUSTRATION(ma429_0001.png)	
Copyright		COPYRIGHT (C) 2008 Victor Company of Japan, Limited	COPYRIGHT (C) 2009 Victor Company of Japan, Limited	
SPECIFICATION	1	KD-A305/KD-R300	KD-A305/KD-R300/ KD-S26	
	11	KD-R300 2.5 V/20 kΩ load (full scale)	KD-R300/ KD-S26 2.5 V/20 kΩ load (full scale)	
	13	KD-R300 2.5 V/20 kΩ load (full scale)	KD-R300/ KD-S26 2.5 V/20 kΩ load (full scale)	

SECTION 2 SPECIFIC SERVICE INSTRUCTIONS

Title	Line	No.MA429<Rev.001>	No.MA429<Rev.002>	Description
2 SPECIFIC SERVICE INSTRUCTIONS	1	This service manual does not describe SPECIFIC SERVICE INSTRUCTIONS.	-	

Title	Line	No.MA429<Rev.001>	No.MA429<Rev.002>	Description
2.1 Identification method	T	-	2.1 Identification method	
	1	-	Supported reduction in cost, and board contents was changed.A set put the following label on is an object.	
	2	-	ILLUSTRATION(ma429_2001.png)	

SECTION 5 TROUBLESHOOTING

Title	Line	No.MA429<Rev.001>	No.MA429<Rev.002>	Description
5.1 16 PIN CORD DIAGRAM (For KD-A305, KD-R300, KD-S26)	T	5.1 16 PIN CORD DIAGRAM (For KD-A305, KD-R300)	5.1 16 PIN CORD DIAGRAM (For KD-A305, KD-R300, KD-S26)	

STANDARD SCHEMATIC DIAGRAMS

Schematic Diagram

Diagram Name	No.MA429<Rev.001>	No.MA429<Rev.002>	Description
Menu	Main section	Old Main section	
Menu	CD section	Old CD section	
Menu	LCD & Key control section	Old LCD & Key control section	
Menu	-	Main section	
Menu	-	CD section	
Menu	-	LCD & Key control section	

Printed Circuit Board

Diagram Name	No.MA429<Rev.001>	No.MA429<Rev.002>	Description
Menu	Main board	Old Main board	
Menu	Switch board	Old Switch board	
Menu	LED board	Old LED board	
Menu	-	Main board	
Menu	-	Switch board	
Menu	-	LED board	

Description of Major ICs

Diagram Name	No.MA429<Rev.001>	No.MA429<Rev.002>	Description
Menu	-	IC681: KSM-2003TN2M	
Menu	IC701: MN101E16YFA	IC701: MN101E16YFA1	
Menu	IC1: TEF6606T/V3-X	IC1: TEF6606T/V5-X	

PARTS LIST

MODEL No. LIST

Model No.	No.MA429<Rev.002>
KD-A305J	01
KD-R300J	02
KD-R404UI	03
KD-R405U	04

Model No.	No.MA429<Rev.002>
KD-R405UH	07
KD-R405UN	05
KD-R405UT	06
KD-R406U	08

Model No.	No.MA429<Rev.002>
KD-R406UH	0B
KD-R406UN	09
KD-R406UT	0A
KD-S26J	0C

General assembly [M1MM]

Symbol	or	Part No.		Part Name	Description	Qty	Models
		<Rev.001>	<Rev.002>				
M1MM	2	-----	GE33323-001A	HEAT SINK	(Addition)	1	0C
M1MM	2	GE33323-001A	GE33323-002A	HEAT SINK		1	01, 02, 03, 04, 05, 06, 07, 08, 09, 0A, 0B
M1MM	4	-----	GE33325-003A	INSULATOR	(Addition)	1	0C
M1MM	15	-----	GE10242-008A	FRONT CHASSIS	(Addition)	1	0C
M1MM	15	GE10242-001A	GE10242-005A	FRONT CHASSIS		1	01, 02, 03, 04, 05, 06, 07, 08, 09, 0A, 0B
M1MM	21	GE10243-006A	GE10243-011A	FRONT PANEL		1	01
M1MM	21	GE10243-005A	GE10243-010A	FRONT PANEL		1	02, 0C

△	Symbol	or	Part No.		Part Name	Description	Qty	Models
			<Rev.001>	<Rev.002>				
	M1MM	21	GE10243-007A	GE10243-012A	FRONT PANEL		1	03,04,05,06,07
	M1MM	21	GE10243-008A	GE10243-013A	FRONT PANEL		1	08,09,0A,0B
	M1MM	22	-----	GE33342-038A	FINDER ASSY	(Addition)	1	0C
	M1MM	31	GE33312-004A	GE33312-006A	NAVI BTN HI		1	01,02,08,09,0A,0B,0C
	M1MM	31	GE33312-003A	GE33312-005A	NAVI BTN HI		1	03,04,05,06,07
	M1MM	35	-----	GE10244-003A	REAR COVER	(Addition)	1	0C
	M1MM	40	GE40440-001A	GE40440-003A	LIGHTING SHEET		1	01,02,03,04,05,06,07,08,09,0A,0B,0C
	M1MM	41	-----	GE33872-001A	NAME PLATE	(Addition)	1	0C
	M1MM	49	GE31574-104A	GE31574-0A5A	UT LABEL		1	0A
	M1MM	53	-----	LV45386-001A	R2 INDICATION	(Addition)	1	01,02,03,04,05,06,07,08,09,0A,0B
	M1MM	54	-----	GE40225-001A	CAR STEREO TAG	(Addition)	1	0C
	M1MM	55	-----	QYSDSP4014ZA	SCREW	(Addition)	1	0C
	M1MM	56	-----	GE40282-001A	LABEL	(Addition)	1	0C

CD mechanism FLM-CD2-1D [MBMM]

△	Symbol	or	Part No.		Part Name	Description	Qty	Models
			<Rev.001>	<Rev.002>				
	MBMM	2	LV36800-001A	LV36800-002A	LINK ARM		1	01,02,03,04,05,06,07,08,09,0A,0B,0C
	MBMM	30	LV44640-001A	LV45227-001A	RACK SPRING		1	01,02,03,04,05,06,07,08,09,0A,0B,0C
	MBMM	51	LV36801-001A	LV36801-002A	GEAR HOLDER		1	01,02,03,04,05,06,07,08,09,0A,0B,0C
	MBMM	57	LV22325-001A	LV22325-002A	R HOLDER ASSY		1	01,02,03,04,05,06,07,08,09,0A,0B,0C

Mecha control board FLM-CD2-1D [03]

△	Symbol	or	Part No.		Part Name	Description	Qty	Models	
			<Rev.001>	<Rev.002>					
	03	Q101	or	-----	2SD601A/R/-X	TRANSISTOR	(Addition)	1	01,02,03,04,05,06,07,08,09,0A,0B,0C
	03	Q201	or	-----	2SD601A/R/-X	TRANSISTOR	(Addition)	1	01,02,03,04,05,06,07,08,09,0A,0B,0C

Main board [04]

△	Symbol	or	Part No.		Part Name	Description	Qty	Models	
			<Rev.001>	<Rev.002>					
	04	IC1		-----	TEF6606T/V5-X	IC	(Addition)	1	01,02,03,04,05,06,07,08,09,0A,0B,0C
	04	IC161		-----	BD3700FV-X	IC	(Addition)	1	01,02,03,04,05,06,07,08,09,0A,0B,0C
	04	IC301		-----	TB2926CHQ	IC	(Addition)	1	01,02,03,04,05,06,07,08,09,0A,0B,0C
	04	IC381		-----	NJM2160BV-X	IC	(Addition)	1	01
	04	IC501		-----	LA6565-X	IC	(Addition)	1	01,02,03,04,05,06,07,08,09,0A,0B,0C
	04	IC521		-----	MN6627945EE	IC	(Addition)	1	01,02,03,04,05,06,07,08,09,0A,0B,0C
	04	IC581		-----	NJM4565E-X	IC	(Addition)	1	01,02,03,04,05,06,07,08,09,0A,0B,0C
	04	IC701		-----	MN101E16YFA1	IC	(Addition)	1	01,02,03,04,05,06,07,08,09,0A,0B,0C
	04	IC702		-----	S-80824CNNB-G-W	IC	(Addition)	1	01,02,03,04,05,06,07,08,09,0A,0B,0C
	04	IC702	or	-----	IC-PST3424U-X	IC	(Addition)	1	01,02,03,04,05,06,07,08,09,0A,0B,0C
	04	IC801		-----	74AHCT126PW-X	IC	(Addition)	1	01,02,03,04,05,06,07,08,09,0A,0B,0C
	04	IC901		-----	AN34001A	IC	(Addition)	1	01,02,03,04,05,06,07,08,09,0A,0B,0C
	04	IC981		-----	NJM2878F4-15-X	IC	(Addition)	1	01,02,03,04,05,06,07,08,09,0A,0B,0C
	04	Q341		-----	IMX9-W	PAIR TRANSISTOR	(Addition)	1	01,02,03,04,05,06,07,08,09,0A,0B,0C
	04	Q501		-----	2SA1705/ST/-T	TRANSISTOR	(Addition)	1	01,02,03,04,05,06,07,08,09,0A,0B,0C
	04	Q521		-----	ISA1530AC1/R/-X	TRANSISTOR	(Addition)	1	01,02,03,04,05,06,07,08,09,0A,0B,0C
	04	Q521	or	-----	2SA2077-X	TRANSISTOR	(Addition)	1	01,02,03,04,05,06,07,08,09,0A,0B,0C
	04	Q781		-----	RT1P141C-X	DIGI TRANSISTOR	(Addition)	1	01,02,03,04,05,06,07,08,09,0A,0B,0C
	04	Q781	or	-----	UN2111-X	TRANSISTOR	(Addition)	1	01,02,03,04,05,06,07,08,09,0A,0B,0C
	04	Q782		-----	2SC3928A/QR/-X	TRANSISTOR	(Addition)	1	01,02,03,04,05,06,07,08,09,0A,0B,0C
	04	Q782	or	-----	2SC5845-X	TRANSISTOR	(Addition)	1	01,02,03,04,05,06,07,08,09,0A,0B,0C
	04	Q784		-----	RT1P141C-X	DIGI TRANSISTOR	(Addition)	1	01,02,03,04,05,06,07,08,09,0A,0B,0C
	04	Q784	or	-----	UN2111-X	TRANSISTOR	(Addition)	1	01,02,03,04,05,06,07,08,09,0A,0B,0C
	04	Q785		-----	RT1P141C-X	DIGI TRANSISTOR	(Addition)	1	01,02,03,04,05,06,07,08,09,0A,0B,0C
	04	Q785	or	-----	UN2111-X	TRANSISTOR	(Addition)	1	01,02,03,04,05,06,07,08,09,0A,0B,0C
	04	Q921		-----	2SB1132/QR/-W	TRANSISTOR	(Addition)	1	03,04,05,06,07,08,09,0A,0B
	04	Q922		-----	RT1N141C-X	DIGI TRANSISTOR	(Addition)	1	03,04,05,06,07,08,09,0A,0B
	04	Q922	or	-----	UN2211-X	TRANSISTOR	(Addition)	1	03,04,05,06,07,08,09,0A,0B
	04	Q976		-----	RT1N141C-X	DIGI TRANSISTOR	(Addition)	1	01,02,03,04,05,06,07,08,09,0A,0B,0C
	04	Q976	or	-----	UN2211-X	TRANSISTOR	(Addition)	1	01,02,03,04,05,06,07,08,09,0A,0B,0C
	04	Q977		-----	ISA1530AC1/R/-X	TRANSISTOR	(Addition)	1	01,02,03,04,05,06,07,08,09,0A,0B,0C

△	Symbol	or	Part No.		Part Name	Description	Qty	Models
			<Rev.001>	<Rev.002>				
	04 Q977	or	-----	2SA2077-X	TRANSISTOR	(Addition)	1	01,02,03,04,05,06,07,08,09,0A,0B,0C
	04 D331		-----	MC2836-X	DIODE	(Addition)	1	01,02,03,04,05,06,07,08,09,0A,0B,0C
	04 D331	or	-----	MA152WA-X	DIODE	(Addition)	1	01,02,03,04,05,06,07,08,09,0A,0B,0C
	04 D501		-----	1A3G-T1	SI DIODE	(Addition)	1	01,02,03,04,05,06,07,08,09,0A,0B,0C
	04 D711		-----	MA8062/M/-X	Z DIODE	(Addition)	1	01
	04 D711	or	-----	UDZW6.2B-X	Z DIODE	(Addition)	1	01
	04 D712		-----	MA111-X	SI DIODE	(Addition)	1	01,02,03,04,05,06,07,08,09,0A,0B,0C
	04 D712	or	-----	1SS355W-X	DIODE	(Addition)	1	01,02,03,04,05,06,07,08,09,0A,0B,0C
	04 D715		-----	MA8062/M/-X	Z DIODE	(Addition)	1	01,02,03,04,05,06,07,08,09,0A,0B,0C
	04 D715	or	-----	UDZW6.2B-X	Z DIODE	(Addition)	1	01,02,03,04,05,06,07,08,09,0A,0B,0C
	04 D716		-----	MA8062/M/-X	Z DIODE	(Addition)	1	01,02,03,04,05,06,07,08,09,0A,0B,0C
	04 D716	or	-----	UDZW6.2B-X	Z DIODE	(Addition)	1	01,02,03,04,05,06,07,08,09,0A,0B,0C
	04 D717		-----	MA8062/M/-X	Z DIODE	(Addition)	1	01,02,03,04,05,06,07,08,09,0A,0B,0C
	04 D717	or	-----	UDZW6.2B-X	Z DIODE	(Addition)	1	01,02,03,04,05,06,07,08,09,0A,0B,0C
	04 D718		-----	MA8062/M/-X	Z DIODE	(Addition)	1	01,02,03,04,05,06,07,08,09,0A,0B,0C
	04 D718	or	-----	UDZW6.2B-X	Z DIODE	(Addition)	1	01,02,03,04,05,06,07,08,09,0A,0B,0C
	04 D781		-----	MA111-X	SI DIODE	(Addition)	1	01,02,03,04,05,06,07,08,09,0A,0B,0C
	04 D781	or	-----	1SS355W-X	DIODE	(Addition)	1	01,02,03,04,05,06,07,08,09,0A,0B,0C
	04 D782		-----	MA111-X	SI DIODE	(Addition)	1	01,02,03,04,05,06,07,08,09,0A,0B,0C
	04 D782	or	-----	1SS355W-X	DIODE	(Addition)	1	01,02,03,04,05,06,07,08,09,0A,0B,0C
	04 D784		-----	MA8100/M/-X	Z DIODE	(Addition)	1	01,02,03,04,05,06,07,08,09,0A,0B,0C
	04 D784	or	-----	UDZW10B-X	Z DIODE	(Addition)	1	01,02,03,04,05,06,07,08,09,0A,0B,0C
	04 D786		-----	MA111-X	SI DIODE	(Addition)	1	01,02,03,04,05,06,07,08,09,0A,0B,0C
	04 D786	or	-----	1SS355W-X	DIODE	(Addition)	1	01,02,03,04,05,06,07,08,09,0A,0B,0C
	04 D787		-----	MA111-X	SI DIODE	(Addition)	1	01,02,03,04,05,06,07,08,09,0A,0B,0C
	04 D787	or	-----	1SS355W-X	DIODE	(Addition)	1	01,02,03,04,05,06,07,08,09,0A,0B,0C
	04 D851		-----	MA22F20-X	SB DIODE	(Addition)	1	03,04,05,06,07,08,09,0A,0B
	04 D852		-----	MA22D39-X	SB DIODE	(Addition)	1	03,04,05,06,07,08,09,0A,0B
△	04 D901		-----	1N5401-F64	SI DIODE	(Addition)	1	01,02,03,04,05,06,07,08,09,0A,0B,0C
△	04 D901	or	-----	1N5401-TU-15	SI DIODE	(Addition)	1	01,02,03,04,05,06,07,08,09,0A,0B,0C
	04 D971		-----	MA22F20-X	SB DIODE	(Addition)	1	01,02,03,04,05,06,07,08,09,0A,0B,0C
	04 D972		-----	MA22D39-X	SB DIODE	(Addition)	1	01,02,03,04,05,06,07,08,09,0A,0B,0C
	04 C1		-----	NCB31HK-102X	C CAPACITOR	(Addition)	1	01,02,03,04,05,06,07,08,09,0A,0B,0C
	04 C2		-----	NDC31HJ-7R0X	C CAPACITOR	(Addition)	1	01,02,03,04,05,06,07,08,09,0A,0B,0C
	04 C3		-----	NCB31HK-102X	C CAPACITOR	(Addition)	1	01,02,03,04,05,06,07,08,09,0A,0B,0C
	04 C4		-----	NCB31AK-224X	C CAPACITOR	(Addition)	1	01,02,03,04,05,06,07,08,09,0A,0B,0C
	04 C5		-----	NDC31HJ-150X	C CAPACITOR	(Addition)	1	01,02,03,04,05,06,07,08,09,0A,0B,0C
	04 C6		-----	NDC31HJ-2R0X	C CAPACITOR	(Addition)	1	01,02,03,04,05,06,07,08,09,0A,0B,0C
	04 C7		-----	NDC31HJ-220X	C CAPACITOR	(Addition)	1	01,02,03,04,05,06,07,08,09,0A,0B,0C
	04 C10		-----	NCB21AK-105X	C CAPACITOR	(Addition)	1	01,02,03,04,05,06,07,08,09,0A,0B,0C
	04 C11		-----	NCB31HK-103X	C CAPACITOR	(Addition)	1	01,02,03,04,05,06,07,08,09,0A,0B,0C
	04 C12		-----	NCB31HK-103X	C CAPACITOR	(Addition)	1	01,02,03,04,05,06,07,08,09,0A,0B,0C
	04 C13		-----	NCB21AK-105X	C CAPACITOR	(Addition)	1	01,02,03,04,05,06,07,08,09,0A,0B,0C
	04 C14		-----	NCB31AK-224X	C CAPACITOR	(Addition)	1	01,02,03,04,05,06,07,08,09,0A,0B,0C
	04 C15		-----	NCB31CK-104X	C CAPACITOR	(Addition)	1	01,02,03,04,05,06,07,08,09,0A,0B,0C
	04 C16		-----	NCB31HK-103X	C CAPACITOR	(Addition)	1	01,02,03,04,05,06,07,08,09,0A,0B,0C
	04 C17		-----	NCB31CK-104X	C CAPACITOR	(Addition)	1	01,02,03,04,05,06,07,08,09,0A,0B,0C
	04 C18		-----	NCB31HK-103X	C CAPACITOR	(Addition)	1	01,02,03,04,05,06,07,08,09,0A,0B,0C
	04 C19		-----	NCB31CK-104X	C CAPACITOR	(Addition)	1	01,02,03,04,05,06,07,08,09,0A,0B,0C
	04 C22		-----	NDC31HJ-150X	C CAPACITOR	(Addition)	1	01,02,03,04,05,06,07,08,09,0A,0B,0C
	04 C23		-----	NCB31CK-104X	C CAPACITOR	(Addition)	1	01,02,03,04,05,06,07,08,09,0A,0B,0C
	04 C24		-----	NCB31HK-103X	C CAPACITOR	(Addition)	1	01,02,03,04,05,06,07,08,09,0A,0B,0C
	04 C25		-----	NCB31HK-103X	C CAPACITOR	(Addition)	1	01,02,03,04,05,06,07,08,09,0A,0B,0C
	04 C26		-----	QEKJ1CM-476Z	E CAPACITOR	(Addition)	1	01,02,03,04,05,06,07,08,09,0A,0B,0C
	04 C120		-----	NCB31CK-104X	C CAPACITOR	(Addition)	1	01,02,03,04,05,06,07,08,09,0A,0B,0C
	04 C161		-----	NCB31CK-104X	C CAPACITOR	(Addition)	1	01,02,03,04,05,06,07,08,09,0A,0B,0C
	04 C162		-----	QTE1H64-225Z	E CAPACITOR	(Addition)	1	0C
	04 C162		-----	QTE1H57-105Z	E CAPACITOR	(Addition)	1	01,02,03,04,05,06,07,08,09,0A,0B
	04 C163		-----	QTE1H57-105Z	E CAPACITOR	(Addition)	1	01,02,03,04,05,06,07,08,09,0A,0B,0C
	04 C164		-----	NCB31AK-105X	C CAPACITOR	(Addition)	1	01,02,03,04,05,06,07,08,09,0A,0B,0C
	04 C165		-----	NCB31HK-103X	C CAPACITOR	(Addition)	1	01,02,03,04,05,06,07,08,09,0A,0B,0C
	04 C166		-----	NCB31AK-105X	C CAPACITOR	(Addition)	1	01,02,03,04,05,06,07,08,09,0A,0B,0C
	04 C169		-----	NCB31EK-103X	C CAPACITOR	(Addition)	1	01,02,03,04,05,06,07,08,09,0A,0B,0C
	04 C171		-----	NCB31CK-104X	C CAPACITOR	(Addition)	1	01,02,03,04,05,06,07,08,09,0A,0B,0C
	04 C172		-----	QTE1H64-225Z	E CAPACITOR	(Addition)	1	0C
	04 C172		-----	QTE1H57-105Z	E CAPACITOR	(Addition)	1	01,02,03,04,05,06,07,08,09,0A,0B
	04 C173		-----	QTE1H57-105Z	E CAPACITOR	(Addition)	1	01,02,03,04,05,06,07,08,09,0A,0B,0C
	04 C174		-----	NCB31AK-105X	C CAPACITOR	(Addition)	1	01,02,03,04,05,06,07,08,09,0A,0B,0C

△	Symbol	or	Part No.		Part Name	Description	Qty	Models
			<Rev.001>	<Rev.002>				
	04	C175	-----	NCB31HK-103X	C CAPACITOR	(Addition)	1	01,02,03,04,05,06,07,08,09,0A,0B,0C
	04	C180	-----	QTE1A57-107Z	E CAPACITOR	(Addition)	1	01,02,03,04,05,06,07,08,09,0A,0B,0C
	04	C181	-----	QTE1C57-106Z	E CAPACITOR	(Addition)	1	01,02,03,04,05,06,07,08,09,0A,0B,0C
	04	C301	-----	QFV91HJ-474Z	MF CAPACITOR	(Addition)	1	01,02,03,04,05,06,07,08,09,0A,0B,0C
	04	C302	-----	QFV91HJ-474Z	MF CAPACITOR	(Addition)	1	01,02,03,04,05,06,07,08,09,0A,0B,0C
	04	C311	-----	QFV91HJ-474Z	MF CAPACITOR	(Addition)	1	01,02,03,04,05,06,07,08,09,0A,0B,0C
	04	C312	-----	QFV91HJ-474Z	MF CAPACITOR	(Addition)	1	01,02,03,04,05,06,07,08,09,0A,0B,0C
	04	C315	-----	NCB31AK-105X	C CAPACITOR	(Addition)	1	01,02,03,04,05,06,07,08,09,0A,0B,0C
	04	C316	-----	NCB31AK-105X	C CAPACITOR	(Addition)	1	01,02,03,04,05,06,07,08,09,0A,0B,0C
	04	C317	-----	QTE1C57-476Z	E CAPACITOR	(Addition)	1	01,02,03,04,05,06,07,08,09,0A,0B,0C
	04	C318	-----	QEKJ1CM-226Z	E CAPACITOR	(Addition)	1	01,02,03,04,05,06,07,08,09,0A,0B,0C
	04	C321	-----	NCB21AK-225X-A	C CAPACITOR	(Addition)	1	01,02,03,04,05,06,07,08,09,0A,0B,0C
	04	C383	-----	QEKJ1HM-475Z	E CAPACITOR	(Addition)	1	01
	04	C384	-----	QEKJ1HM-475Z	E CAPACITOR	(Addition)	1	01
	04	C385	-----	QEKJ1HM-475Z	E CAPACITOR	(Addition)	1	01,02,03,04,05,06,07,08,09,0A,0B,0C
	04	C386	-----	QEKJ1HM-475Z	E CAPACITOR	(Addition)	1	01,02,03,04,05,06,07,08,09,0A,0B,0C
	04	C387	-----	NCB31HK-152X	C CAPACITOR	(Addition)	1	01
	04	C388	-----	NCB31HK-152X	C CAPACITOR	(Addition)	1	01
	04	C389	-----	QEKJ1CM-107Z	E CAPACITOR	(Addition)	1	01
	04	C390	-----	QEKJ1CM-107Z	E CAPACITOR	(Addition)	1	01
	04	C392	-----	NCB31EK-104X	C CAPACITOR	(Addition)	1	01
	04	C393	-----	QEKJ1CM-476Z	E CAPACITOR	(Addition)	1	01
	04	C501	-----	QEKJ0JM-227Z	E CAPACITOR	(Addition)	1	01,02,03,04,05,06,07,08,09,0A,0B,0C
	04	C503	-----	QEKJ1CM-476Z	E CAPACITOR	(Addition)	1	01,02,03,04,05,06,07,08,09,0A,0B,0C
	04	C504	-----	NCB31EK-104X	C CAPACITOR	(Addition)	1	01,02,03,04,05,06,07,08,09,0A,0B,0C
	04	C505	-----	NCB31EK-104X	C CAPACITOR	(Addition)	1	01,02,03,04,05,06,07,08,09,0A,0B,0C
	04	C507	-----	NCB31EK-473X	C CAPACITOR	(Addition)	1	01,02,03,04,05,06,07,08,09,0A,0B,0C
	04	C511	-----	NCB31HK-222X	C CAPACITOR	(Addition)	1	01,02,03,04,05,06,07,08,09,0A,0B,0C
	04	C513	-----	NCB31HK-682X	C CAPACITOR	(Addition)	1	01,02,03,04,05,06,07,08,09,0A,0B,0C
	04	C515	-----	NCB31HK-122X	C CAPACITOR	(Addition)	1	01,02,03,04,05,06,07,08,09,0A,0B,0C
	04	C517	-----	NCB31HK-182X	C CAPACITOR	(Addition)	1	01,02,03,04,05,06,07,08,09,0A,0B,0C
	04	C518	-----	NDC31HJ-680X	C CAPACITOR	(Addition)	1	01,02,03,04,05,06,07,08,09,0A,0B,0C
	04	C521	-----	NCB31EK-104X	C CAPACITOR	(Addition)	1	01,02,03,04,05,06,07,08,09,0A,0B,0C
	04	C522	-----	NCB31CK-223X	C CAPACITOR	(Addition)	1	01,02,03,04,05,06,07,08,09,0A,0B,0C
	04	C524	-----	NDC31HJ-561X	C CAPACITOR	(Addition)	1	01,02,03,04,05,06,07,08,09,0A,0B,0C
	04	C525	-----	NCB31CK-223X	C CAPACITOR	(Addition)	1	01,02,03,04,05,06,07,08,09,0A,0B,0C
	04	C526	-----	NCB31CK-223X	C CAPACITOR	(Addition)	1	01,02,03,04,05,06,07,08,09,0A,0B,0C
	04	C527	-----	NCB31EK-332X	C CAPACITOR	(Addition)	1	01,02,03,04,05,06,07,08,09,0A,0B,0C
	04	C528	-----	NDC31HJ-181X	C CAPACITOR	(Addition)	1	01,02,03,04,05,06,07,08,09,0A,0B,0C
	04	C529	-----	NCB31HK-103X	C CAPACITOR	(Addition)	1	01,02,03,04,05,06,07,08,09,0A,0B,0C
	04	C530	-----	NCB31HK-103X	C CAPACITOR	(Addition)	1	01,02,03,04,05,06,07,08,09,0A,0B,0C
	04	C531	-----	NCB31AK-334X	C CAPACITOR	(Addition)	1	01,02,03,04,05,06,07,08,09,0A,0B,0C
	04	C532	-----	NCB31AK-334X	C CAPACITOR	(Addition)	1	01,02,03,04,05,06,07,08,09,0A,0B,0C
	04	C534	-----	NCB31EK-332X	C CAPACITOR	(Addition)	1	01,02,03,04,05,06,07,08,09,0A,0B,0C
	04	C535	-----	NCB31EK-104X	C CAPACITOR	(Addition)	1	01,02,03,04,05,06,07,08,09,0A,0B,0C
	04	C536	-----	QEKJ0JM-476Z	E CAPACITOR	(Addition)	1	01,02,03,04,05,06,07,08,09,0A,0B,0C
	04	C537	-----	QEKJ0JM-476Z	E CAPACITOR	(Addition)	1	01,02,03,04,05,06,07,08,09,0A,0B,0C
	04	C539	-----	NCB31EK-104X	C CAPACITOR	(Addition)	1	01,02,03,04,05,06,07,08,09,0A,0B,0C
	04	C540	-----	NDC31HJ-681X	C CAPACITOR	(Addition)	1	01,02,03,04,05,06,07,08,09,0A,0B,0C
	04	C541	-----	NCB31EK-153X	C CAPACITOR	(Addition)	1	01,02,03,04,05,06,07,08,09,0A,0B,0C
	04	C542	-----	NCB31EK-104X	C CAPACITOR	(Addition)	1	01,02,03,04,05,06,07,08,09,0A,0B,0C
	04	C543	-----	NCB31HK-102X	C CAPACITOR	(Addition)	1	01,02,03,04,05,06,07,08,09,0A,0B,0C
	04	C544	-----	NCB31EK-823X	C CAPACITOR	(Addition)	1	01,02,03,04,05,06,07,08,09,0A,0B,0C
	04	C545	-----	NCB31EK-104X	C CAPACITOR	(Addition)	1	01,02,03,04,05,06,07,08,09,0A,0B,0C
	04	C547	-----	QTE0J57-476Z	E CAPACITOR	(Addition)	1	01,02,03,04,05,06,07,08,09,0A,0B,0C
	04	C548	-----	QTE0J57-476Z	E CAPACITOR	(Addition)	1	01,02,03,04,05,06,07,08,09,0A,0B,0C
	04	C549	-----	NCB31EK-104X	C CAPACITOR	(Addition)	1	01,02,03,04,05,06,07,08,09,0A,0B,0C
	04	C551	-----	NCB31EK-104X	C CAPACITOR	(Addition)	1	01,02,03,04,05,06,07,08,09,0A,0B,0C
	04	C552	-----	QEKJ0JM-476Z	E CAPACITOR	(Addition)	1	01,02,03,04,05,06,07,08,09,0A,0B,0C
	04	C583	-----	NDC31HJ-821X	C CAPACITOR	(Addition)	1	01,02,03,04,05,06,07,08,09,0A,0B,0C
	04	C584	-----	NDC31HJ-821X	C CAPACITOR	(Addition)	1	01,02,03,04,05,06,07,08,09,0A,0B,0C
	04	C585	-----	QTE1H57-225Z	E CAPACITOR	(Addition)	1	0C
	04	C585	-----	QTE1H64-225Z	E CAPACITOR	(Addition)	1	01,02,03,04,05,06,07,08,09,0A,0B
	04	C586	-----	QTE1H57-225Z	E CAPACITOR	(Addition)	1	0C
	04	C586	-----	QTE1H64-225Z	E CAPACITOR	(Addition)	1	01,02,03,04,05,06,07,08,09,0A,0B
	04	C587	-----	NDC31HJ-151X	C CAPACITOR	(Addition)	1	01,02,03,04,05,06,07,08,09,0A,0B,0C
	04	C588	-----	NDC31HJ-151X	C CAPACITOR	(Addition)	1	01,02,03,04,05,06,07,08,09,0A,0B,0C
	04	C590	-----	QTE0J57-476Z	E CAPACITOR	(Addition)	1	01,02,03,04,05,06,07,08,09,0A,0B,0C

△	Symbol	or	Part No.		Part Name	Description	Qty	Models
			<Rev.001>	<Rev.002>				
04	C591		-----	QTE1A57-107Z	E CAPACITOR	(Addition)	1	01,02,03,04,05,06,07,08,09,0A,0B,0C
04	C592		-----	NCB31EK-104X	C CAPACITOR	(Addition)	1	01,02,03,04,05,06,07,08,09,0A,0B,0C
04	C703		-----	NDC31HJ-200X	C CAPACITOR	(Addition)	1	01,02,03,04,05,06,07,08,09,0A,0B,0C
04	C704		-----	NDC31HJ-200X	C CAPACITOR	(Addition)	1	01,02,03,04,05,06,07,08,09,0A,0B,0C
04	C706		-----	NCB31EK-103X	C CAPACITOR	(Addition)	1	01,02,03,04,05,06,07,08,09,0A,0B,0C
04	C707		-----	QEKJ1CM-107Z	E CAPACITOR	(Addition)	1	01,02,03,04,05,06,07,08,09,0A,0B,0C
04	C708		-----	NCB31CK-104X	C CAPACITOR	(Addition)	1	01,02,03,04,05,06,07,08,09,0A,0B,0C
04	C709		-----	NCB31CK-104X	C CAPACITOR	(Addition)	1	01,02,03,04,05,06,07,08,09,0A,0B,0C
04	C710		-----	NDC31HJ-101X	C CAPACITOR	(Addition)	1	01
04	C711		-----	QEKJ0JM-476Z	E CAPACITOR	(Addition)	1	01,02,03,04,05,06,07,08,09,0A,0B,0C
04	C714		-----	NCB31CK-104X	C CAPACITOR	(Addition)	1	01,02,03,04,05,06,07,08,09,0A,0B,0C
04	C715		-----	NCB31CK-104X	C CAPACITOR	(Addition)	1	01,02,03,04,05,06,07,08,09,0A,0B,0C
04	C717		-----	NCB31CK-104X	C CAPACITOR	(Addition)	1	01,02,03,04,05,06,07,08,09,0A,0B,0C
04	C718		-----	NCB31CK-104X	C CAPACITOR	(Addition)	1	01,02,03,04,05,06,07,08,09,0A,0B,0C
04	C719		-----	QEKJ1CM-476Z	E CAPACITOR	(Addition)	1	01,02,03,04,05,06,07,08,09,0A,0B,0C
04	C720		-----	NCB31AK-474X	C CAPACITOR	(Addition)	1	01,02,03,04,05,06,07,08,09,0A,0B,0C
04	C721		-----	NCB31CK-104X	C CAPACITOR	(Addition)	1	01,02,03,04,05,06,07,08,09,0A,0B,0C
04	C722		-----	QEKJ1HM-475Z	E CAPACITOR	(Addition)	1	01,02,03,04,05,06,07,08,09,0A,0B,0C
04	C741		-----	NDC31HJ-680X	C CAPACITOR	(Addition)	1	01,02,03,04,05,06,07,08,09,0A,0B,0C
04	C781		-----	QEKJ1CM-476Z	E CAPACITOR	(Addition)	1	01,02,03,04,05,06,07,08,09,0A,0B,0C
04	C784		-----	QEKJ1CM-107Z	E CAPACITOR	(Addition)	1	01,02,03,04,05,06,07,08,09,0A,0B,0C
04	C785		-----	QEKJ0JM-107Z	E CAPACITOR	(Addition)	1	01,02,03,04,05,06,07,08,09,0A,0B,0C
04	C801		-----	NCB31EK-473X	C CAPACITOR	(Addition)	1	01,02,03,04,05,06,07,08,09,0A,0B,0C
04	C852		-----	NCB31CK-224X	C CAPACITOR	(Addition)	1	03,04,05,06,07,08,09,0A,0B
04	C901		-----	QEZ0870-278	E CAPACITOR	(Addition)	1	01,02,03,04,05,06,07,08,09,0A,0B,0C
04	C903		-----	QEKJ1CM-476Z	E CAPACITOR	(Addition)	1	01,02,03,04,05,06,07,08,09,0A,0B,0C
04	C904		-----	NCB31HK-104X	C CAPACITOR	(Addition)	1	01,02,03,04,05,06,07,08,09,0A,0B,0C
04	C905		-----	QEKJ1CM-476Z	E CAPACITOR	(Addition)	1	01,02,03,04,05,06,07,08,09,0A,0B,0C
04	C906		-----	NCB31HK-103X	C CAPACITOR	(Addition)	1	01,02,03,04,05,06,07,08,09,0A,0B,0C
04	C908		-----	QEKJ1CM-476Z	E CAPACITOR	(Addition)	1	01,02,03,04,05,06,07,08,09,0A,0B,0C
04	C909		-----	QEKJ0JM-476Z	E CAPACITOR	(Addition)	1	01,02,03,04,05,06,07,08,09,0A,0B,0C
04	C912		-----	NCB31HK-103X	C CAPACITOR	(Addition)	1	01,02,03,04,05,06,07,08,09,0A,0B,0C
04	C916		-----	NCB31HK-103X	C CAPACITOR	(Addition)	1	01,02,03,04,05,06,07,08,09,0A,0B,0C
04	C971		-----	NCB31EK-104X	C CAPACITOR	(Addition)	1	01,02,03,04,05,06,07,08,09,0A,0B,0C
04	C982		-----	NCB31EK-104X	C CAPACITOR	(Addition)	1	01,02,03,04,05,06,07,08,09,0A,0B,0C
04	C984		-----	NCB21AK-225X	C CAPACITOR	(Addition)	1	01,02,03,04,05,06,07,08,09,0A,0B,0C
04	R1		-----	NRSA63J-474X	MG RESISTOR	(Addition)	1	01,02,03,04,05,06,07,08,09,0A,0B,0C
04	R2		-----	NRSA63J-474X	MG RESISTOR	(Addition)	1	01,02,03,04,05,06,07,08,09,0A,0B,0C
04	R4		-----	NRSA63J-472X	MG RESISTOR	(Addition)	1	01,02,03,04,05,06,07,08,09,0A,0B,0C
04	R5		-----	NRS181J-220X	MG RESISTOR	(Addition)	1	01,02,03,04,05,06,07,08,09,0A,0B,0C
04	R6		-----	NRSA63J-101X	MG RESISTOR	(Addition)	1	01,02,03,04,05,06,07,08,09,0A,0B,0C
04	R7		-----	NRSA63J-101X	MG RESISTOR	(Addition)	1	01,02,03,04,05,06,07,08,09,0A,0B,0C
04	R10		-----	NRSA63J-0R0X	MG RESISTOR	(Addition)	1	01,02,03,04,05,06,07,08,09,0A,0B,0C
04	R11		-----	NRS181J-4R7X	MG RESISTOR	(Addition)	1	01,02,03,04,05,06,07,08,09,0A,0B,0C
04	R16		-----	NRSA63J-472X	MG RESISTOR	(Addition)	1	01,02,03,04,05,06,07,08,09,0A,0B,0C
04	R17		-----	NRSA63J-472X	MG RESISTOR	(Addition)	1	01,02,03,04,05,06,07,08,09,0A,0B,0C
04	R81		-----	NRSA63J-752X	MG RESISTOR	(Addition)	1	01,02,0C
04	R81		-----	NRSA63J-682X	MG RESISTOR	(Addition)	1	03,04,05,06,07,08,09,0A,0B
04	R82		-----	NRSA63J-392X	MG RESISTOR	(Addition)	1	01,02,0C
04	R82		-----	NRSA63J-822X	MG RESISTOR	(Addition)	1	03,04,05,06,07,08,09,0A,0B
04	R91		-----	NRSA63J-752X	MG RESISTOR	(Addition)	1	01,02,0C
04	R91		-----	NRSA63J-682X	MG RESISTOR	(Addition)	1	03,04,05,06,07,08,09,0A,0B
04	R92		-----	NRSA63J-392X	MG RESISTOR	(Addition)	1	01,02,0C
04	R92		-----	NRSA63J-822X	MG RESISTOR	(Addition)	1	03,04,05,06,07,08,09,0A,0B
04	R122		-----	NRSA63J-471X	MG RESISTOR	(Addition)	1	01,02,03,04,05,06,07,08,09,0A,0B,0C
04	R161		-----	NRSA63J-473X	MG RESISTOR	(Addition)	1	01,02,03,04,05,06,07,08,09,0A,0B,0C
04	R162		-----	NRSA63J-473X	MG RESISTOR	(Addition)	1	01,02,03,04,05,06,07,08,09,0A,0B,0C
04	R163		-----	NRSA63J-222X	MG RESISTOR	(Addition)	1	01,02,03,04,05,06,07,08,09,0A,0B,0C
04	R164		-----	NRSA63J-101X	MG RESISTOR	(Addition)	1	01,02,03,04,05,06,07,08,09,0A,0B,0C
04	R165		-----	NRSA63J-101X	MG RESISTOR	(Addition)	1	01,02,03,04,05,06,07,08,09,0A,0B,0C
04	R166		-----	NRS181J-224X	MG RESISTOR	(Addition)	1	01,02,03,04,05,06,07,08,09,0A,0B,0C
04	R174		-----	NRSA63J-472X	MG RESISTOR	(Addition)	1	01,02,03,04,05,06,07,08,09,0A,0B,0C
04	R175		-----	NRSA63J-472X	MG RESISTOR	(Addition)	1	01,02,03,04,05,06,07,08,09,0A,0B,0C
04	R303		-----	NRS181J-100X	MG RESISTOR	(Addition)	1	01,02,03,04,05,06,07,08,09,0A,0B,0C
04	R305		-----	NRSA63J-102X	MG RESISTOR	(Addition)	1	01,02,03,04,05,06,07,08,09,0A,0B,0C
04	R342		-----	NRSA63J-821X	MG RESISTOR	(Addition)	1	01,02,03,04,05,06,07,08,09,0A,0B,0C
04	R343		-----	NRSA63J-101X	MG RESISTOR	(Addition)	1	01,02,03,04,05,06,07,08,09,0A,0B,0C
04	R344		-----	NRSA63J-222X	MG RESISTOR	(Addition)	1	01,02,03,04,05,06,07,08,09,0A,0B,0C

△	Symbol	or	Part No.		Part Name	Description	Qty	Models	
			<Rev.001>	<Rev.002>					
	04	R905	-----	NRSA02J-102X	MG RESISTOR	(Addition)	1	03,04,05,06,07,08,09,0A,0B	
	04	R906	-----	NRSA63J-473X	MG RESISTOR	(Addition)	1	03,04,05,06,07,08,09,0A,0B	
	04	R971	-----	NRS181J-332X	MG RESISTOR	(Addition)	1	01,02,03,04,05,06,07,08,09,0A,0B,0C	
	04	R976	-----	NRSA02J-273X	MG RESISTOR	(Addition)	1	01,02,03,04,05,06,07,08,09,0A,0B,0C	
	04	R977	-----	NRSA02J-123X	MG RESISTOR	(Addition)	1	01,02,03,04,05,06,07,08,09,0A,0B,0C	
	04	L1	-----	NQL093K-R47X	COIL	(Addition)	1	01,02,03,04,05,06,07,08,09,0A,0B,0C	
	04	L2	-----	NQL093K-1R8X	COIL	(Addition)	1	01,02,03,04,05,06,07,08,09,0A,0B,0C	
	04	L3	-----	QQL213M-R22Z	COIL	(Addition)	1	01,02,03,04,05,06,07,08,09,0A,0B,0C	
	04	L4	-----	QQR1813-001	COIL	(Addition)	1	01,02,03,04,05,06,07,08,09,0A,0B,0C	
	04	L5	-----	QQL244J-561Z	COIL	(Addition)	1	01,02,03,04,05,06,07,08,09,0A,0B,0C	
	04	L6	-----	QQL244J-561Z	COIL	(Addition)	1	01,02,03,04,05,06,07,08,09,0A,0B,0C	
	04	L7	-----	QQL244K-4R7Z	COIL	(Addition)	1	01,02,03,04,05,06,07,08,09,0A,0B,0C	
	04	L8	-----	QQL244K-4R7Z	COIL	(Addition)	1	01,02,03,04,05,06,07,08,09,0A,0B,0C	
	04	L120	-----	NQR0007-002X	FERRITE BEADS	(Addition)	1	01,02,03,04,05,06,07,08,09,0A,0B,0C	
	04	L121	-----	NQR0007-002X	FERRITE BEADS	(Addition)	1	01,02,03,04,05,06,07,08,09,0A,0B,0C	
	04	L122	-----	NQR0007-002X	FERRITE BEADS	(Addition)	1	01,02,03,04,05,06,07,08,09,0A,0B,0C	
	04	L701	-----	QQL244K-4R7Z	COIL	(Addition)	1	01,02,03,04,05,06,07,08,09,0A,0B,0C	
	04	L702	-----	QQL244K-4R7Z	COIL	(Addition)	1	01,02,03,04,05,06,07,08,09,0A,0B,0C	
	04	L901	-----	QQR1852-001	CHOKE COIL	(Addition)	1	01,02,03,04,05,06,07,08,09,0A,0B,0C	
	04	L901	or	-----	QQR0703-001	CHOKE COIL	(Addition)	1	01,02,03,04,05,06,07,08,09,0A,0B,0C
	04	CN501	-----	QGB2027MD-26	CONNECTOR	(Addition)	1	01,02,03,04,05,06,07,08,09,0A,0B,0C	
	04	CN701	-----	QGZ1601J1-15	CONNECTOR	(Addition)	1	01,02,03,04,05,06,07,08,09,0A,0B,0C	
	04	CN901	-----	QNZ0607-001	CAR CONNECTOR	(Addition)	1	01,02,03,04,05,06,07,08,09,0A,0B,0C	
	04	J1	-----	QNB0190-001	ANT TERMINAL	(Addition)	1	01,02,03,04,05,06,07,08,09,0A,0B,0C	
	04	J321	-----	QNN0832-001	PIN JACK	(Addition)	1	01	
	04	J321	-----	QNN0802-001	PIN JACK	(Addition)	1	02,03,04,05,06,07,08,09,0A,0B,0C	
	04	J702	-----	QNS0283-001	STEERING REMOTE	(Addition)	1	01	
	04	J801	-----	QNZ0095-001	CONNECTOR	(Addition)	1	01,02,03,04,05,06,07,08,09,0A,0B,0C	
	04	S701	-----	QSW0648-001Z	TACT SWITCH	(Addition)	1	01,02,03,04,05,06,07,08,09,0A,0B,0C	
	04	X1	-----	QAX0928-001Z	CRYSTAL	(Addition)	1	01,02,03,04,05,06,07,08,09,0A,0B,0C	
	04	X521	-----	QAX0930-001Z	CRYSTAL	(Addition)	1	01,02,03,04,05,06,07,08,09,0A,0B,0C	
	04	X701	-----	QAX0667-001Z	C RESONATOR	(Addition)	1	01,02,03,04,05,06,07,08,09,0A,0B,0C	
	04	X702	-----	QAX0401-001	CRYSTAL	(Addition)	1	01,02,03,04,05,06,07,08,09,0A,0B,0C	

Switch board [05]

△	Symbol	or	Part No.		Part Name	Description	Qty	Models	
			<Rev.001>	<Rev.002>					
	05	IC601	-----	NCP5623DTBR2G-X	IC	(Addition)	1	01,02,03,04,05,06,07,08,09,0A,0B,0C	
	05	IC661	-----	PTC6526LQ-L	IC	(Addition)	1	01,02,03,04,05,06,07,08,09,0A,0B,0C	
	05	IC681	-----	KSM-2003TN2M	REMOCON RCV	(Addition)	1	0C	
	05	IC681	-----	NJL29H380A	REMOCON RCV	(Addition)	1	01,02,03,04,05,06,07,08,09,0A,0B	
	05	Q601	-----	2SC3928A/QR/-X	TRANSISTOR	(Addition)	1	01,02,03,04,05,06,07,08,09,0A,0B,0C	
	05	Q601	or	-----	2SC5845-X	TRANSISTOR	(Addition)	1	01,02,03,04,05,06,08,09,0A,0B,0C
	05	Q601	or	-----	2SC5845-X	TRANSISTOR	(Addition)	1	07
	05	Q602	-----	UNR9211G-X	TRANSISTOR	(Addition)	1	01,02,03,04,05,06,07,08,09,0A,0B,0C	
	05	Q602	or	-----	DTC114EEB-X	TRANSISTOR	(Addition)	1	01,02,03,04,05,06,07,08,09,0A,0B,0C
	05	Q604	-----	2SA2174G-X	TRANSISTOR	(Addition)	1	01,02,03,04,05,06,07,08,09,0A,0B,0C	
	05	Q604	or	-----	2SA1774/QR/-X	TRANSISTOR	(Addition)	1	01,02,03,04,05,06,07,08,09,0A,0B,0C
	05	Q605	-----	UN2222-X	IC	(Addition)	1	01,02,03,04,05,06,07,08,09,0A,0B,0C	
	05	Q605	or	-----	DTD143EK-X	TRANSISTOR	(Addition)	1	01,02,03,04,05,06,07,08,09,0A,0B,0C
	05	Q607	-----	2SA2174G-X	TRANSISTOR	(Addition)	1	01,02,03,04,05,06,07,08,09,0A,0B,0C	
	05	Q607	or	-----	2SA1774/QR/-X	TRANSISTOR	(Addition)	1	01,02,03,04,05,06,07,08,09,0A,0B,0C
	05	Q608	-----	UN2222-X	IC	(Addition)	1	01,02,03,04,05,06,07,08,09,0A,0B,0C	
	05	Q608	or	-----	DTD143EK-X	TRANSISTOR	(Addition)	1	01,02,03,04,05,06,07,08,09,0A,0B,0C
	05	Q610	-----	2SA2174G-X	TRANSISTOR	(Addition)	1	01,02,03,04,05,06,07,08,09,0A,0B,0C	
	05	Q610	or	-----	2SA1774/QR/-X	TRANSISTOR	(Addition)	1	01,02,03,04,05,06,07,08,09,0A,0B,0C
	05	Q611	-----	UN2222-X	IC	(Addition)	1	01,02,03,04,05,06,07,08,09,0A,0B,0C	
	05	Q611	or	-----	DTD143EK-X	TRANSISTOR	(Addition)	1	01,02,03,04,05,06,07,08,09,0A,0B,0C
	05	D601	-----	NSSM065T-X	LED	(Addition)	1	01,02,03,04,05,06,07,08,09,0A,0B,0C	
	05	D602	-----	NSSM065T-X	LED	(Addition)	1	01,02,03,04,05,06,07,08,09,0A,0B,0C	
	05	D604	-----	NSSM065T-X	LED	(Addition)	1	01,02,03,04,05,06,07,08,09,0A,0B,0C	
	05	D605	-----	NSSM065T-X	LED	(Addition)	1	01,02,03,04,05,06,07,08,09,0A,0B,0C	
	05	D630	-----	LHQ974/LM/-X	LED	(Addition)	1	01,02,03,04,05,06,07,08,09,0A,0B,0C	

Δ	Symbol	or	Part No.		Part Name	Description	Qty	Models
			<Rev.001>	<Rev.002>				
05	D631		-----	LHQ974/LM/-X	LED	(Addition)	1	01,02,03,04,05,06,07,08,09,0A,0B,0C
05	D632		-----	LHQ974/LM/-X	LED	(Addition)	1	01,02,03,04,05,06,07,08,09,0A,0B,0C
05	D650		-----	MA8056/M/-X	Z DIODE	(Addition)	1	01,02,03,04,05,06,07,08,09,0A,0B,0C
05	D650	or	-----	UDZW5.6B-X	Z DIODE	(Addition)	1	01,02,03,04,05,06,07,08,09,0A,0B,0C
05	D661		-----	MA111-X	SI DIODE	(Addition)	1	01,02,03,04,05,06,07,08,09,0A,0B,0C
05	D661	or	-----	1SS355W-X	DIODE	(Addition)	1	01,02,03,04,05,06,07,08,09,0A,0B,0C
05	C604		-----	NCB31CK-105X	C CAPACITOR	(Addition)	1	01,02,03,04,05,06,07,08,09,0A,0B,0C
05	C650		-----	NCB31CK-104X	C CAPACITOR	(Addition)	1	01,02,03,04,05,06,07,08,09,0A,0B,0C
05	C651		-----	NBE21CM-106X	TA E CAPACITOR	(Addition)	1	01,02,03,04,05,06,07,08,09,0A,0B,0C
05	C661		-----	NCB31CK-105X	C CAPACITOR	(Addition)	1	01,02,03,04,05,06,07,08,09,0A,0B,0C
05	C662		-----	NDC31HJ-151X	C CAPACITOR	(Addition)	1	01,02,03,04,05,06,07,08,09,0A,0B,0C
05	C663		-----	NCB31CK-223X	C CAPACITOR	(Addition)	1	01,02,03,04,05,06,07,08,09,0A,0B,0C
05	C665		-----	NCB31CK-104X	C CAPACITOR	(Addition)	1	01,02,03,04,05,06,07,08,09,0A,0B,0C
05	C666		-----	NCB31CK-104X	C CAPACITOR	(Addition)	1	01,02,03,04,05,06,07,08,09,0A,0B,0C
05	C682		-----	NCB31EK-104X	C CAPACITOR	(Addition)	1	01,02,03,04,05,06,07,08,09,0A,0B,0C
05	R601		-----	NRSA63J-821X	MG RESISTOR	(Addition)	1	01,02,03,04,05,06,07,08,09,0A,0B,0C
05	R602		-----	NRSA63J-821X	MG RESISTOR	(Addition)	1	01,02,03,04,05,06,07,08,09,0A,0B,0C
05	R603		-----	NRSA63J-122X	MG RESISTOR	(Addition)	1	01,02,03,04,05,06,07,08,09,0A,0B,0C
05	R604		-----	NRSA63J-182X	MG RESISTOR	(Addition)	1	01,02,03,04,05,06,07,08,09,0A,0B,0C
05	R605		-----	NRSA63J-272X	MG RESISTOR	(Addition)	1	01,02,03,04,05,06,07,08,09,0A,0B,0C
05	R607		-----	NRSA63J-392X	MG RESISTOR	(Addition)	1	01,02,03,04,05,06,07,08,09,0A,0B,0C
05	R608		-----	NRSA63J-821X	MG RESISTOR	(Addition)	1	01,02,03,04,05,06,07,08,09,0A,0B,0C
05	R609		-----	NRSA63J-821X	MG RESISTOR	(Addition)	1	01,02,03,04,05,06,07,08,09,0A,0B,0C
05	R610		-----	NRSA63J-122X	MG RESISTOR	(Addition)	1	01,02,03,04,05,06,07,08,09,0A,0B,0C
05	R611		-----	NRSA63J-182X	MG RESISTOR	(Addition)	1	01,02,03,04,05,06,07,08,09,0A,0B,0C
05	R612		-----	NRSA63J-272X	MG RESISTOR	(Addition)	1	01,02,03,04,05,06,07,08,09,0A,0B,0C
05	R613		-----	NRSA63J-103X	MG RESISTOR	(Addition)	1	01,02,03,04,05,06,07,08,09,0A,0B,0C
05	R614		-----	NRSA63F-154X	MG RESISTOR	(Addition)	1	01,02,03,04,05,06,07,08,09,0A,0B,0C
05	R615		-----	NRSA63J-101X	MG RESISTOR	(Addition)	1	01,02,03,04,05,06,07,08,09,0A,0B,0C
05	R618		-----	NRSA63J-101X	MG RESISTOR	(Addition)	1	01,02,03,04,05,06,07,08,09,0A,0B,0C
05	R630		-----	NRSA63J-271X	MG RESISTOR	(Addition)	1	01,02,03,04,05,06,07,08,09,0A,0B,0C
05	R631		-----	NRSA63J-471X	MG RESISTOR	(Addition)	1	01,02,03,04,05,06,07,08,09,0A,0B,0C
05	R634		-----	NRSA63J-561X	MG RESISTOR	(Addition)	1	01,02,03,04,05,06,07,08,09,0A,0B,0C
05	R636		-----	NRSA63J-222X	MG RESISTOR	(Addition)	1	01,02,03,04,05,06,07,08,09,0A,0B,0C
05	R637		-----	NRSA63J-222X	MG RESISTOR	(Addition)	1	01,02,03,04,05,06,07,08,09,0A,0B,0C
05	R638		-----	NRSA63J-222X	MG RESISTOR	(Addition)	1	01,02,03,04,05,06,07,08,09,0A,0B,0C
05	R644		-----	NRSA63J-751X	MG RESISTOR	(Addition)	1	01,02,03,04,05,06,07,08,09,0A,0B,0C
05	R645		-----	NRSA63J-751X	MG RESISTOR	(Addition)	1	01,02,03,04,05,06,07,08,09,0A,0B,0C
05	R646		-----	NRSA63J-122X	MG RESISTOR	(Addition)	1	01,02,03,04,05,06,07,08,09,0A,0B,0C
05	R647		-----	NRSA63J-122X	MG RESISTOR	(Addition)	1	01,02,03,04,05,06,07,08,09,0A,0B,0C
05	R648		-----	NRSA63J-122X	MG RESISTOR	(Addition)	1	01,02,03,04,05,06,07,08,09,0A,0B,0C
05	R649		-----	NRSA63J-162X	MG RESISTOR	(Addition)	1	01,02,03,04,05,06,07,08,09,0A,0B,0C
05	R651		-----	NRSA63J-102X	MG RESISTOR	(Addition)	1	01,02,03,04,05,06,07,08,09,0A,0B,0C
05	R656		-----	NRS181J-471X	MG RESISTOR	(Addition)	1	01,02,03,04,05,06,07,08,09,0A,0B,0C
05	R657		-----	NRS181J-471X	MG RESISTOR	(Addition)	1	01,02,03,04,05,06,07,08,09,0A,0B,0C
05	R658		-----	NRS181J-751X	MG RESISTOR	(Addition)	1	01,02,03,04,05,06,07,08,09,0A,0B,0C
05	R660		-----	NRS181J-394X	MG RESISTOR	(Addition)	1	01,02,03,04,05,06,07,08,09,0A,0B,0C
05	R661		-----	NRSA63J-102X	MG RESISTOR	(Addition)	1	01,02,03,04,05,06,07,08,09,0A,0B,0C
05	R662		-----	NRSA63J-102X	MG RESISTOR	(Addition)	1	01,02,03,04,05,06,07,08,09,0A,0B,0C
05	R663		-----	NRSA63J-102X	MG RESISTOR	(Addition)	1	01,02,03,04,05,06,07,08,09,0A,0B,0C
05	R664		-----	NRS181J-224X	MG RESISTOR	(Addition)	1	01,02,03,04,05,06,07,08,09,0A,0B,0C
05	R665		-----	NRSA63J-101X	MG RESISTOR	(Addition)	1	01,02,03,04,05,06,07,08,09,0A,0B,0C
05	R666		-----	NRSA63J-101X	MG RESISTOR	(Addition)	1	01,02,03,04,05,06,07,08,09,0A,0B,0C
05	R667		-----	NRSA63J-101X	MG RESISTOR	(Addition)	1	01,02,03,04,05,06,07,08,09,0A,0B,0C
05	R681		-----	NRSA63J-471X	MG RESISTOR	(Addition)	1	01,02,03,04,05,06,07,08,09,0A,0B,0C
05	R682		-----	NRSA63J-102X	MG RESISTOR	(Addition)	1	01,02,03,04,05,06,07,08,09,0A,0B,0C
05	CJ601		-----	QGZ1601K1-15S	CONNECTOR	(Addition)	1	01,02,03,04,05,06,07,08,09,0A,0B,0C
05	J601		-----	QNS0280-001	3.5 JACK	(Addition)	1	0C
05	J601		-----	QNS0215-001	3.5 JACK	(Addition)	1	01,02
05	J601		-----	QNS0245-001	AUX JACK	(Addition)	1	03,04,05,06,07,08,09,0A,0B
05	JS686		-----	QSW1231-002	ROTARY ENCODER	(Addition)	1	01,02,03,04,05,06,07,08,09,0A,0B,0C
05	S601		-----	NSW0124-001X	TACT SW	(Addition)	1	01,02,03,04,05,06,07,08,09,0A,0B,0C
05	S602		-----	NSW0316-001X	TACT SWITCH	(Addition)	1	01,02,03,04,05,06,07,08,09,0A,0B,0C
05	S603		-----	NSW0316-001X	TACT SWITCH	(Addition)	1	01,02,03,04,05,06,07,08,09,0A,0B,0C
05	S604		-----	NSW0316-001X	TACT SWITCH	(Addition)	1	01,02,03,04,05,06,07,08,09,0A,0B,0C
05	S605		-----	NSW0316-001X	TACT SWITCH	(Addition)	1	01,02,03,04,05,06,07,08,09,0A,0B,0C

△	Symbol	or	Part No.		Part Name	Description	Qty	Models
			<Rev.001>	<Rev.002>				
	05 S606		-----	NSW0316-001X	TACT SWITCH	(Addition)	1	01,02,03,04,05,06,07,08,09,0A,0B,0C
	05 S607		-----	NSW0316-001X	TACT SWITCH	(Addition)	1	01,02,03,04,05,06,07,08,09,0A,0B,0C
	05 S608		-----	NSW0316-001X	TACT SWITCH	(Addition)	1	01,02,03,04,05,06,07,08,09,0A,0B,0C
	05 S609		-----	NSW0316-001X	TACT SWITCH	(Addition)	1	01,02,03,04,05,06,07,08,09,0A,0B,0C
	05 S610		-----	NSW0316-001X	TACT SWITCH	(Addition)	1	01,02,03,04,05,06,07,08,09,0A,0B,0C
	05 S611		-----	NSW0316-001X	TACT SWITCH	(Addition)	1	01,02,03,04,05,06,07,08,09,0A,0B,0C

Packing and accessories [M3MM]

△	Symbol	or	Part No.		Part Name	Description	Qty	Models
			<Rev.001>	<Rev.002>				
	M3MM A1		-----	GET0642-001A	INST BOOK	(Addition)	1	0C
	M3MM A4		-----	GET0642-002A	INSTALL MANUAL	(Addition)	1	0C
	M3MM A4		-----	GET0570-002A	INSTALL MANUAL	(Addition)	1	01
	M3MM A4		GET0570-002A	-----	INSTALL MANUAL	(Deletion)	1	01,02
	M3MM A4		-----	GET0570-002B	INSTALL MANUAL	(Addition)	1	02
	M3MM A4		GET0572-002A	GET0572-002B	INSTALL MANUAL		1	03
	M3MM A4		GET0571-006A	GET0571-006B	INSTALL MANUAL		1	04,07,08,0B
	M3MM A4		GET0571-009A	GET0571-009B	INSTALL MANUAL		1	05,09
	M3MM A4		GET0571-010A	GET0571-010B	INSTALL MANUAL		1	06,0A
	M3MM A5		GET0571-007A	GET0571-007B	INSTALL MANUAL		1	04,08
	M3MM A6		GET0571-008A	GET0571-008B	INSTALL MANUAL		1	04,08
	M3MM A7		-----	GE20137-003A	MOUNTING SLEEVE	(Addition)	1	01
	M3MM A7		GE20137-003A	-----	MOUNTING SLEEVE	(Deletion)	1	01,02,03,04,05,06,07,08,09,0A,0B
	M3MM A7		-----	GE20137-008A	MOUNTING SLEEVE	(Addition)	1	02,03,04,05,06,07,08,09,0A,0B,0C
	M3MM A8		-----	GE20235-014A	TRIM PLATE	(Addition)	1	0C
	M3MM A8		GE20235-005A	GE20235-012A	TRIM PLATE		1	03,04,05,06,07
	M3MM A9		-----	VKZ4027-202	PLUG NUT	(Addition)	1	01
	M3MM A9		VKZ4027-202	-----	PLUG NUT	(Deletion)	1	01,02,03,04,05,06,07,08,09,0A,0B
	M3MM A10		-----	GE40426-002A	MOUNT BOLT	(Addition)	1	01
	M3MM A10		GE40426-002A	-----	MOUNT BOLT	(Deletion)	1	01,02,03,04,05,06,07,08,09,0A,0B
	M3MM A11		-----	VKZ4328-003	LOCK NUT	(Addition)	1	01
	M3MM A11		VKZ4328-003	-----	LOCK NUT	(Deletion)	1	01,02,03,04,05,06,07,08,09,0A,0B
	M3MM A12		-----	QYWWS53A008ZA	WASHER	(Addition)	1	01
	M3MM A12		QYWWS53A008ZA	-----	WASHER	(Deletion)	1	01,02,03,04,05,06,07,08,09,0A,0B
	M3MM A15		RM-RK50C	-----	REMOCON	(Deletion)	1	01,02,03,04,05,06,07,08,09,0A,0B
	M3MM A15		-----	RM-RK50C	REMOCON	(Addition)	1	01,02,03,04,05,06,08,09,0A,0C
	M3MM A15		-----	RM-RK50I	REMOCON	(Addition)	1	07,0B
	M3MM A19		-----	-----	WARRANTY CARD	(Addition)	1	0C
	M3MM A21		-----	LVT1672-002A	INST SHEET	(Addition)	1	01,02,03,04,05,06,07,08,09,0A,0B,0C
	M3MM A22		-----	GET0222-001A	TAG CAUTION SH	(Addition)	1	0C
	M3MM KIT		-----	SRW-MA372	SCREW PARTS KIT	(Addition)	1	01
	M3MM KIT		SRW-MA372	-----	SCREW PARTS KIT	(Deletion)	1	01,02,03,04,05,06,07,08,09,0A,0B
	M3MM P1		-----	GE33873-001A	CARTON	(Addition)	1	0C
	M3MM P1		GE33398-002A	GE33398-003A	CARTON		1	02
	M3MM P3		FSPG4002-001	-----	POLY BAG	(Deletion)	1	01,02,03,04,05,06,07,08,09,0A,0B
	M3MM P3		-----	FSPG4002-001	POLY BAG	(Addition)	1	01,02,03,05,06,07,09,0A,0B,0C
	M3MM P3		-----	FSPG4002-001	POLY BAG	(Addition)	2	04,08
	M3MM P4		FSPG4002-001	-----	POLY BAG	(Deletion)	1	04,08



Victor Company of Japan, Limited

Mobile Entertainment Division 10-1,1chome,Ohwatari-machi,Maebashi-city,371-8543,Japan

PARTS LIST

KD-A305J,KD-R300J,KD-R404UI
 KD-R405U,KD-R405UN,KD-R405UT
 KD-R405UH,KD-R406U,KD-R406UN
 KD-R406UT,KD-R406UH,KD-S26J

MODEL	MARK	MODEL	MARK	MODEL	MARK
KD-A305J	A	KD-R300J	B	KD-R404UI	C
KD-R405U	D	KD-R405UN	E	KD-R405UT	F
KD-R405UH	G	KD-R406U	H	KD-R406UN	I
KD-R406UT	J	KD-R406UH	K	KD-S26J	L

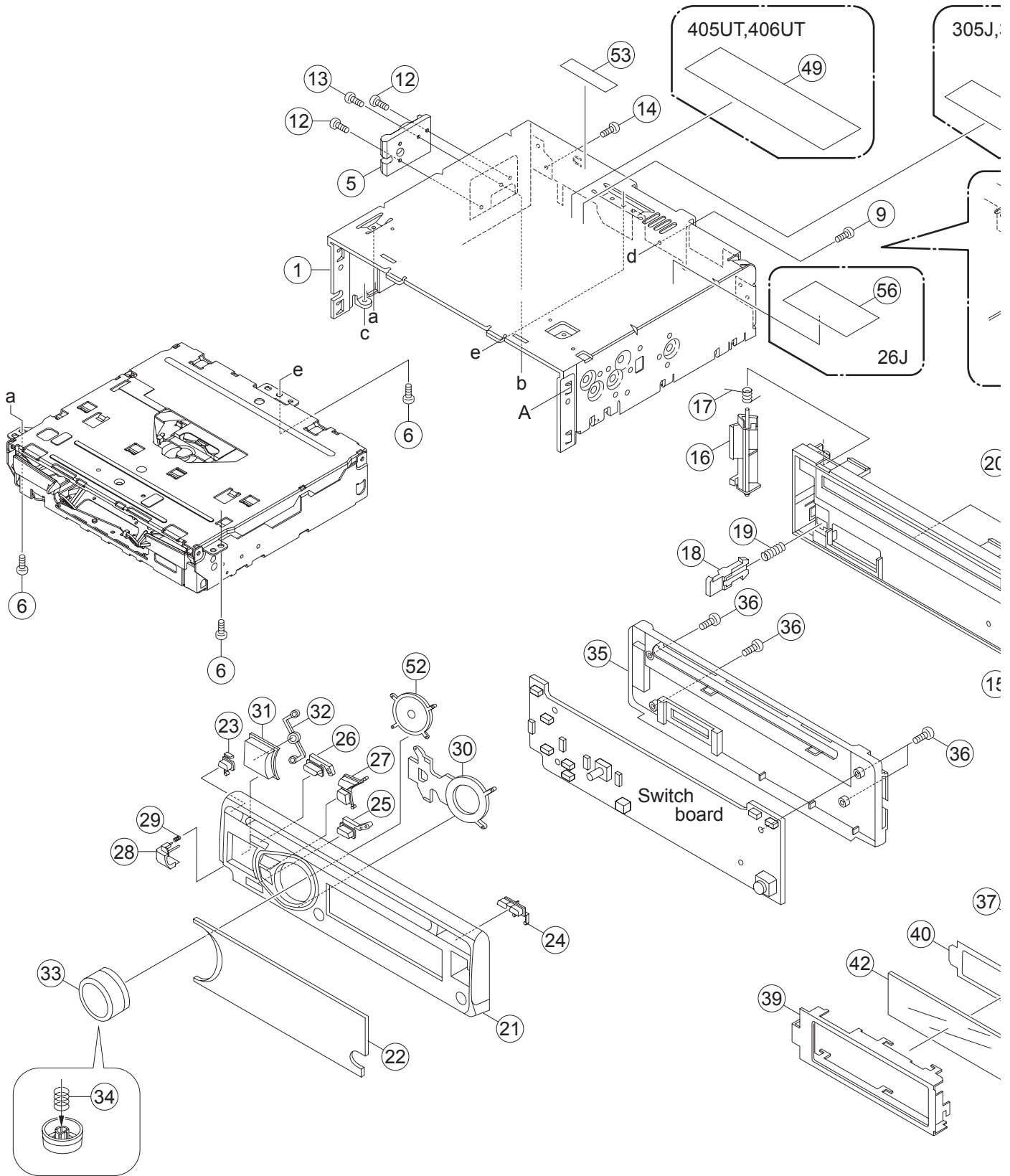
* All printed circuit boards and its assemblies are not available as service parts.

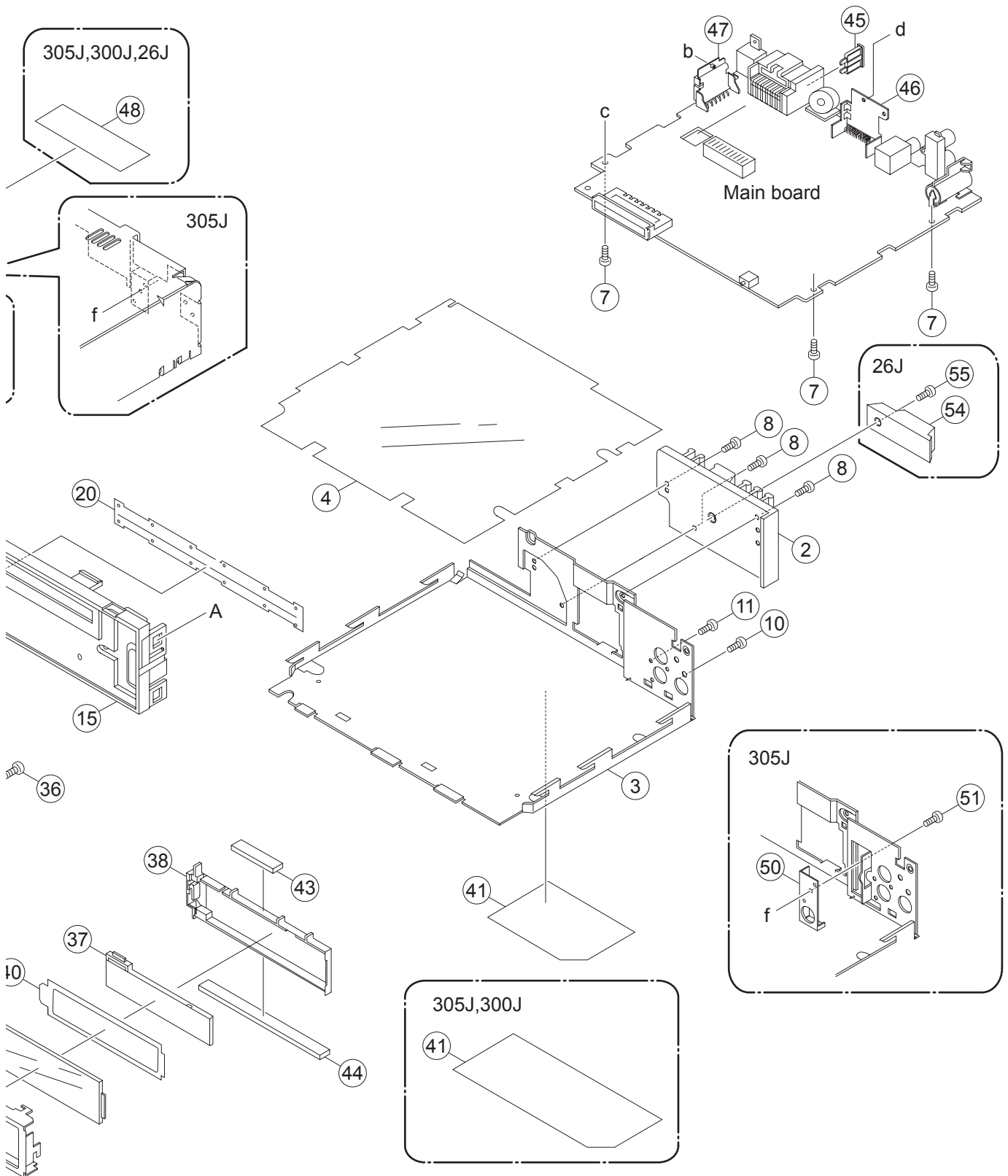
- Contents -

Exploded view of general assembly and parts list (Block No.M1)	3- 2
CD mechanism assembly and parts list (Block No.MB)	3- 6
Electrical parts list (Block No.01~05)	3- 8
Packing materials and accessories parts list (Block No.M3)	3-16

Exploded view of general assembly and parts list

Block No. M 1 M M





The parts without symbol number are not service.

General Assembly

Block No. [M][1][M][M]

Symbol No.	Part No.	Part Name	Description	Local
1	GE10248-001A	TOP CHASSIS		A
1	GE10248-003A	TOP CHASSIS		B,C,D,E,F,G,H,I,J,K,L
2	GE33323-002A	HEAT SINK		A,B,C,D,E,F,G,H,I,J,K
2	GE33323-001A	HEAT SINK		L
3	GE20248-002A	BOTTOM COVER		A
3	GE20248-001A	BOTTOM COVER		B,C,D,E,F,G,H,I,J,K,L
4	GE33325-002A	INSULATOR		A,B,C,D,E,F,G,H,I,J,K
4	GE33325-003A	INSULATOR		L
5	GE40395-001A	SIDE PANEL		
6	QYSDST2604ZA	TAP SCREW	M2.6 x 4mm(x3)	
7	GE40377-002A	SCREW	(x3)	
8	GE40377-003A	SCREW	(x3)	
9	QYSDST2606ZA	TAP SCREW	M2.6 x 6mm	
10	QYSDST2606ZA	TAP SCREW	M2.6 x 6mm	
11	QYSDSF2606ZA	TAP SCREW	M2.6 x 6mm	
12	GE40377-002A	SCREW	(x2)	
13	QYSDST2608ZA	TAP SCREW	M2.6 x 8mm	
14	QYSDST2606ZA	TAP SCREW	M2.6 x 6mm	
15	GE10242-005A	FRONT CHASSIS		A,B,C,D,E,F,G,H,I,J,K
15	GE10242-008A	FRONT CHASSIS		L
16	GE32350-002A	LOCK LEVER		
17	GE40368-002A	TORSION SPRING		
18	GE32810-001A	RELEASE LEVER		
19	GE30999-004A	COMP.SPRING		
20	GE40432-001A	BLIND		
21	GE10243-011A	FRONT PANEL		A
21	GE10243-010A	FRONT PANEL		B,L
21	GE10243-012A	FRONT PANEL		C,D,E,F,G
21	GE10243-013A	FRONT PANEL		H,I,J,K
22	GE33342-022A	FINDER ASSY		A
22	GE33342-024A	FINDER ASSY		B
22	GE33342-006A	FINDER ASSY		C
22	GE33342-005A	FINDER ASSY		D,E,F,G
22	GE33342-015A	FINDER ASSY		H,I,J,K
22	GE33342-038A	FINDER ASSY		L
23	GE33307-001A	POWER BTN		
24	GE33308-001A	EJECT BTN		
25	GE33309-004A	DISP BTN HI		A,B,L
25	GE33309-005A	DISP BTN HI		C,D,E,F,G,H,I,J,K
26	GE33310-004A	SRC BTN HI		A,B,L
26	GE33310-005A	SRC BTN HI		C,D,E,F,G,H,I,J,K
27	GE33311-001A	MENU BTN HI		
28	GE33315-003A	DETACH BTN		A,B,H,I,J,K,L
28	GE33315-001A	DETACH BTN		C,D,E,F,G
29	GE30999-006A	COMP.SPRING		
30	GE33314-002A	LIGHT GUIDE		
31	GE33312-006A	NAVI BTN HI		A,B,H,I,J,K,L
31	GE33312-005A	NAVI BTN HI		C,D,E,F,G
32	GE33313-002A	NAVI BTN BASE		
33	GE33320-003A	VOL KNOB		A
33	GE33320-001A	VOL KNOB		B,C,D,E,F,G,H,I,J,K,L
34	GE40127-005A	KNOB SPRING		
35	GE10244-001A	REAR COVER		A,B,C,D,E,F,G,H,I,J,K
35	GE10244-003A	REAR COVER		L
36	VKZ4777-010	MINI SCREW	(x4)	
37	GE33317-001A	LCD LENS		
38	GE33318-001A	LENS CASE		
39	GE33319-001A	LCD CASE		
40	GE40440-003A	LIGHTING SHEET		
41	GE33394-002A	NAME PLATE		A
41	GE33397-002A	NAME PLATE		B
41	GE33403-001A	NAME PLATE		C
41	GE33400-001A	NAME PLATE		D,E,F,G
41	GE33406-001A	NAME PLATE		H,I,J,K
41	GE33872-001A	NAME PLATE		L
42	QLD0569-001	LCD MODULE		
43	QNZ1002-001	RUBBER CONNECTO		
44	QNZ1003-001	RUBBER CONNECTO		
45	QMFZ064-150-J1	FUSE	15A	
46	GE40439-001A	POWER IC BKT		
47	GE40396-002A	REG BRACKET		
48	GE40442-001A	FCC RULE LABEL		A,B,L
49	GE31574-098A	UT LABEL		F
49	GE31574-0A5A	UT LABEL		J

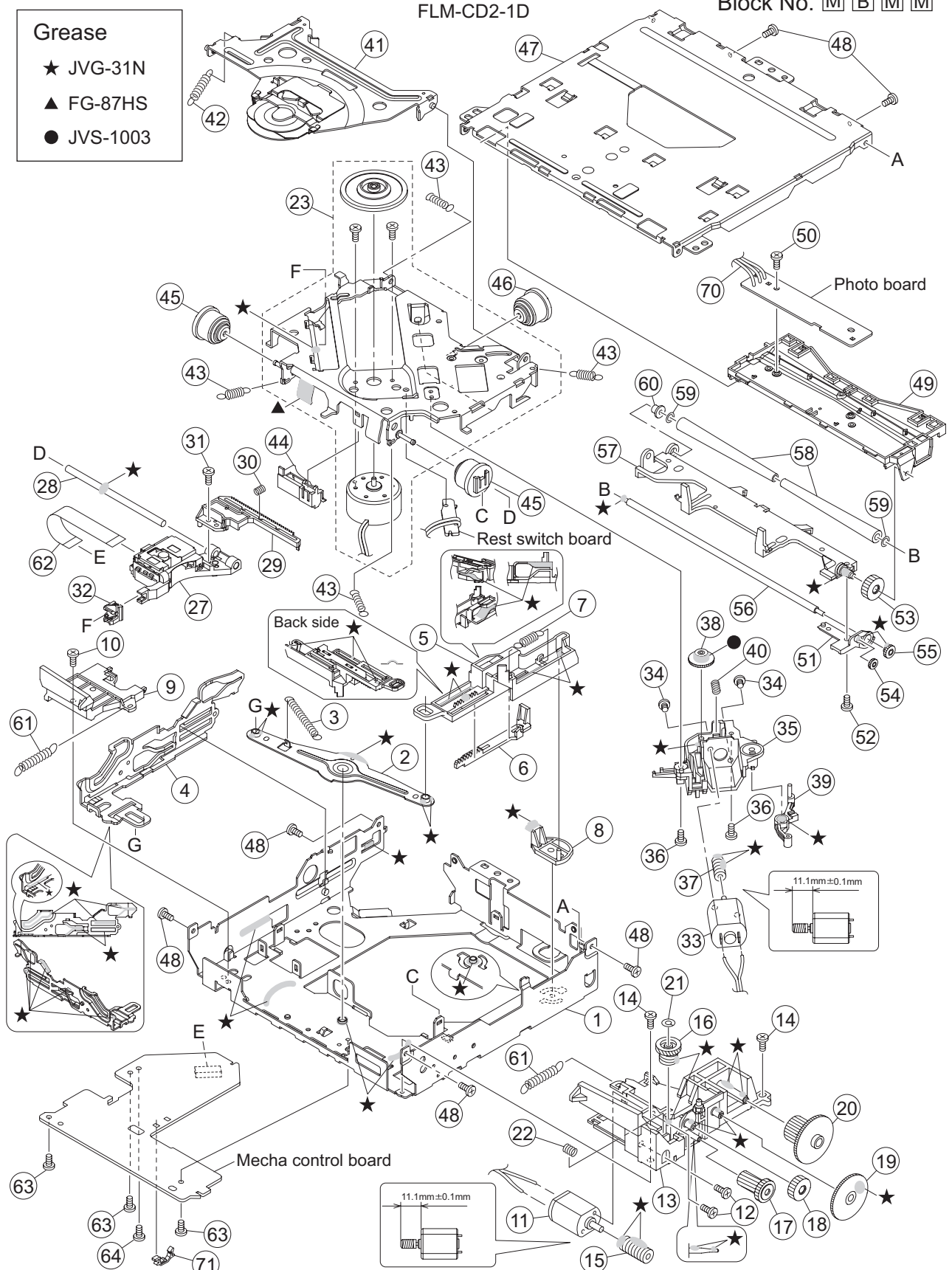
△ Symbol No.	Part No.	Part Name	Description	Local
50	GE40441-001A	OE HOLDER		A
51	QYSDST2604ZA	TAP SCREW	M2.6 x 4mm	A
52	GE33316-002A	RIM LENS		
53	LV45386-001A	R2 INDICATION		A,B,C,D,E,F,G,H,I,J,K
54	GE40225-001A	CAR STEREO TAG		L
55	QYSDSP4014ZA	SCREW	M4 x 14mm	L
56	GE40282-001A	LABEL		L

CD mechanism assembly and parts list

FLM-CD2-1D

Block No. M B M M

- Grease**
- ★ JVG-31N
 - ▲ FG-87HS
 - JVS-1003



The parts without symbol number are not service.

CD mechanism

Block No. [M][B][M][M]

△	Symbol No.	Part No.	Part Name	Description	Local
	1	LV11256-001A	MECHA FRAME		
	2	LV36800-002A	LINK ARM		
	3	LV44658-001A	LINK SPRING		
	4	LV22300-001A	SLIDE CAM(L)		
	5	LV22298-002A	SLIDE CAM(R)		
	6	LV36802-001A	LOAD RACK		
	7	LV44552-001A	RETURN SPRING		
	8	LV36803-002A	F LOCK LEVER		
	9	LV36804-002A	CAM COVER		
	10	VKZ4539-054	MINI SCREW		
	11	QAR0373-002	MOTOR		
	12	QYSPSPT2025MA	SCREW	M2 x 2.5mm(x2)	
	13	LV36903-002A	L M BASE ASSY		
	14	VKZ4539-054	MINI SCREW	(x2)	
	15	LV36806-001A	L WORM GEAR		
	16	LV36805-001A	M WHEEL GEAR		
	17	LV36807-001A	A WHEEL GEAR		
	18	LV36808-001A	R ACT GEAR(1)		
	19	LV36809-001A	LOAD ACT GEAR		
	20	LV36810-001A	LOADING GEAR		
	21	QYWDL1230250	SLIT WASHER	3mm/1.2mm x 0.25mm	
	22	LV44589-002A	COMPRESSION SPRING		
	23	CM-FLMCD1D	SPINDLE MOTOR ASSY		
	27	QAL0993-001	PICK UP		
	28	LV44555-001A	MAIN SHAFT		
	29	LV36799-001A	RACK PLATE		
	30	LV45227-001A	RACK SPRING		
	31	QYSPSGT1745ZA	TAP SCREW	M1.7 x 4.5mm	
	32	LV36813-001A	SUB GUIDE CAP		
	33	QAR0144-003	MOTOR	2.0V DC	
	34	QYSPSPT2025MA	SCREW	M2 x 2.5mm(x2)	
	35	LV22296-001A	F MOTOR HOLDER		
	36	VKZ4539-054	MINI SCREW	(x2)	
	37	LV36814-001A	F WORM GEAR		
	38	LV36815-001A	F WHEEL GEAR		
	39	LV36816-001A	TRIGGER ARM		
	40	LV44589-002A	COMPRESSION SPRING		
	41	LV37326-001A	CLAMPER ASSY		
	42	LV44557-002A	CLAMPER SPRING		
	43	LV44558-001A	SUS SPRING	(x4)	
	44	LV36820-001A	WIRE HOLDER		
	45	LV36904-001A	DAMPER	(x2)	
	46	LV37061-001A	DAMPER		
	47	LV11260-002A	TOP COVER		
	48	VKZ4539-054	MINI SCREW	(x6)	
	49	LV11264-003A	DISC PLATE		
	50	LV44586-001A	SPECIAL SCREW		
	51	LV36801-002A	GEAR HOLDER		
	52	VKZ4539-054	MINI SCREW		
	53	LV36821-001A	R ACT GEAR(2)		
	54	LV36822-001A	R ACT GEAR(3)		
	55	LV36823-001A	ROLLER GEAR		
	56	LV44559-002A	ROLLER SHAFT		
	57	LV22325-002A	R HOLDER ASSY		
	58	LV44560-001A	ROLLER	(x2)	
	59	LV44590-001A	WASHER	(x2)	
	60	LV44561-001A	ROLLER COLLAR		
	61	LV44562-002A	ROLLER SPRING	(x2)	
	62	QAL0817-003	FPC		
	63	VKZ4539-054	MINI SCREW	(x3)	
	64	VKZ4539-054	MINI SCREW		
	70	WJS0085-001A-E	E-FL/RB WIRE		
	71	LV34916-001A	WIRE CLAMP		

Electrical parts list

Old Main board

Block No. [0][1]

△ Symbol No.	Part No.	Part Name	Description	Local
△ IC1	TEF6606T/V3-X	IC1		
IC161	BD3700FV-X	IC		
△ IC301	TB2926CHQ	IC		
IC381	NJM2160BV-X	IC		A
△ IC501	LA6565-X	IC		
△ IC521	MN6627945EE	IC		
IC581	NJM4565E-X	IC		
△ IC701	MN101E16YFA	IC		
IC702	S-80824CNNB-G-W	IC		
IC702	or IC-PST3424U-X	IC		
IC771	S-24CS04AFJ-G-X	IC		
IC801	74AHCT126PW-X	IC		
△ IC901	AN34001A	IC		
IC981	NJM2878F4-15-X	IC		
Q341	IMX9-W	PAIR TRANSISTOR		
Q501	2SA1705/ST-T	TRANSISTOR		
Q521	ISA1530AC1/R/-X	TRANSISTOR		
Q521	or 2SA2077-X	TRANSISTOR		
Q781	RT1P141C-X	DIGI TRANSISTOR		
Q781	or UN2111-X	TRANSISTOR		
Q782	2SC3928AQR/-X	TRANSISTOR		
Q782	or 2SC5845-X	TRANSISTOR		
Q784	RT1P141C-X	DIGI TRANSISTOR		
Q784	or UN2111-X	TRANSISTOR		
Q785	RT1P141C-X	DIGI TRANSISTOR		
Q785	or UN2111-X	TRANSISTOR		
Q921	2SB1132/QR/-W	TRANSISTOR		C, D, E, F, G, H, I, J, K
Q922	RT1N141C-X	DIGI TRANSISTOR		C, D, E, F, G, H, I, J, K
Q922	or UN2211-X	TRANSISTOR		C, D, E, F, G, H, I, J, K
Q976	RT1N141C-X	DIGI TRANSISTOR		C, D, E, F, G, H, I, J, K
Q976	or UN2211-X	TRANSISTOR		
Q977	ISA1530AC1/R/-X	TRANSISTOR		
Q977	or 2SA2077-X	TRANSISTOR		
D331	MC2836-X	DIODE		
D331	or MA152WA-X	DIODE		
D501	1A3G-T1	SI DIODE		
D711	MA8062/M/-X	Z DIODE		A
D711	or UDW6.2B-X	Z DIODE		A
D712	MA111-X	SI DIODE		
D712	or 1SS355W-X	DIODE		
D715	MA8062/M/-X	Z DIODE		
D715	or UDW6.2B-X	Z DIODE		
D716	MA8062/M/-X	Z DIODE		
D716	or UDW6.2B-X	Z DIODE		
D717	MA8062/M/-X	Z DIODE		
D717	or UDW6.2B-X	Z DIODE		
D718	MA8062/M/-X	Z DIODE		
D718	or UDW6.2B-X	Z DIODE		
D781	MA111-X	SI DIODE		
D781	or 1SS355W-X	DIODE		
D782	MA111-X	SI DIODE		
D782	or 1SS355W-X	DIODE		
D784	MA8100/M/-X	Z DIODE		
D784	or UDW10B-X	Z DIODE		
D785	MA111-X	SI DIODE		
D785	or 1SS355W-X	DIODE		
D786	MA111-X	SI DIODE		
D786	or 1SS355W-X	DIODE		
D787	MA111-X	SI DIODE		
D787	or 1SS355W-X	DIODE		
D851	MA22D23-X	SB DIODE		C, D, E, F, G, H, I, J, K
D851	or CRS03-W	SB DIODE		C, D, E, F, G, H, I, J, K
D851	or RB160M-30-X	SB DIODE		C, D, E, F, G, H, I, J, K
D852	MA22D39-X	SB DIODE		C, D, E, F, G, H, I, J, K

△ Symbol No.	Part No.	Part Name	Description	Local
△ D901	1N5401-F64	SI DIODE		
△ D901	or 1N5401-TU-15	SI DIODE		
D971	MA22D23-X	SB DIODE		
D971	or CRS03-W	SB DIODE		
D971	or RB160M-30-X	SB DIODE		
D972	MA22D39-X	SB DIODE		
C1	NCB31HK-102X	C CAPACITOR	1000pF 50V K	
C2	NDC31HJ-7R0X	C CAPACITOR	7pF 50V J	
C3	NCB31HK-102X	C CAPACITOR	1000pF 50V K	
C4	NCB31AK-224X	C CAPACITOR	0.22uF 10V K	
C5	NDC31HJ-150X	C CAPACITOR	15pF 50V J	
C6	NDC31HJ-2R0X	C CAPACITOR	2pF 50V J	
C7	NDC31HJ-220X	C CAPACITOR	22pF 50V J	
C10	NCB21AK-105X	C CAPACITOR	1uF 10V K	
C11	NCB31HK-103X	C CAPACITOR	0.01uF 50V K	
C12	NCB31HK-103X	C CAPACITOR	0.01uF 50V K	
C13	NCB21AK-105X	C CAPACITOR	1uF 10V K	
C14	NCB31AK-224X	C CAPACITOR	0.22uF 10V K	
C15	NCB31CK-104X	C CAPACITOR	0.1uF 16V K	
C16	NCB31HK-103X	C CAPACITOR	0.01uF 50V K	
C17	NCB31CK-104X	C CAPACITOR	0.1uF 16V K	
C18	NCB31HK-103X	C CAPACITOR	0.01uF 50V K	
C19	NCB31CK-104X	C CAPACITOR	0.1uF 16V K	
C22	NDC31HJ-150X	C CAPACITOR	15pF 50V J	
C23	NCB31CK-104X	C CAPACITOR	0.1uF 16V K	
C24	NCB31HK-103X	C CAPACITOR	0.01uF 50V K	
C25	NCB31HK-103X	C CAPACITOR	0.01uF 50V K	
C26	QEKJ1CM-107Z	E CAPACITOR	100uF 16V M	
C27	QEKJ1EM-106Z	E CAPACITOR	10uF 25V M	
C34	NDC31HJ-5R6X	C CAPACITOR	5.6pF 50V J	
C120	NCB31CK-104X	C CAPACITOR	0.1uF 16V K	
C161	NCB31AK-105X	C CAPACITOR	1uF 10V K	
C162	QTE1H57-105Z	E CAPACITOR	1uF 50V	
C163	QTE1H57-105Z	E CAPACITOR	1uF 50V	
C164	NCB31AK-105X	C CAPACITOR	1uF 10V K	
C165	NCB31HK-103X	C CAPACITOR	0.01uF 50V K	
C166	NCB31AK-105X	C CAPACITOR	1uF 10V K	
C169	NCB31EK-103X	C CAPACITOR	0.01uF 25V K	
C171	NCB31AK-105X	C CAPACITOR	1uF 10V K	
C172	QTE1H57-105Z	E CAPACITOR	1uF 50V	
C173	QTE1H57-105Z	E CAPACITOR	1uF 50V	
C174	NCB31AK-105X	C CAPACITOR	1uF 10V K	
C175	NCB31HK-103X	C CAPACITOR	0.01uF 50V K	
C180	QTE1A57-107Z	E CAPACITOR	100uF 10V	
C181	QTE1C57-106Z	E CAPACITOR	10uF 16V	
C301	QFV91HJ-474Z	MF CAPACITOR	0.47uF 50V J	
C302	QFV91HJ-474Z	MF CAPACITOR	0.47uF 50V J	
C303	NDC31HJ-101X	C CAPACITOR	100pF 50V J	
C304	NDC31HJ-101X	C CAPACITOR	100pF 50V J	
C311	QFV91HJ-474Z	MF CAPACITOR	0.47uF 50V J	
C312	QFV91HJ-474Z	MF CAPACITOR	0.47uF 50V J	
C313	NDC31HJ-101X	C CAPACITOR	100pF 50V J	
C314	NDC31HJ-101X	C CAPACITOR	100pF 50V J	
C315	NCB31AK-105X	C CAPACITOR	1uF 10V K	
C316	NCB31AK-105X	C CAPACITOR	1uF 10V K	
C317	QTE1C57-476Z	E CAPACITOR	47uF 16V	
C318	QEKJ1CM-226Z	E CAPACITOR	22uF 16V M	
C319	NCB31EK-223X	C CAPACITOR	0.022uF 25V K	
C320	NCB31EK-223X	C CAPACITOR	0.022uF 25V K	
C321	NCB21AK-225X-A	C CAPACITOR	2.2uF 10V K	
C383	QEKJ1HM-475Z	E CAPACITOR	4.7uF 50V M	A
C384	QEKJ1HM-475Z	E CAPACITOR	4.7uF 50V M	A
C385	QEKJ1HM-475Z	E CAPACITOR	4.7uF 50V M	
C386	QEKJ1HM-475Z	E CAPACITOR	4.7uF 50V M	
C387	NCB31HK-152X	C CAPACITOR	1500pF 50V K	A
C388	NCB31HK-152X	C CAPACITOR	1500pF 50V K	A
C389	QEKJ1CM-107Z	E CAPACITOR	100uF 16V M	A
C390	QEKJ1CM-107Z	E CAPACITOR	100uF 16V M	A
C392	NCB31EK-104X	C CAPACITOR	0.1uF 25V K	A
C393	QEKJ1CM-476Z	E CAPACITOR	47uF 16V M	A
C501	QEKJ0JM-227Z	E CAPACITOR	220uF 6.3V M	
C503	QEKJ1AM-227Z	E CAPACITOR	220uF 10V M	
C504	NCB31EK-104X	C CAPACITOR	0.1uF 25V K	
C505	NCB31EK-104X	C CAPACITOR	0.1uF 25V K	
C507	NCB31EK-473X	C CAPACITOR	0.047uF 25V K	

△ Symbol No.	Part No.	Part Name	Description	Local	△ Symbol No.	Part No.	Part Name	Description	Local
C511	NCB31HK-222X	C CAPACITOR	2200pF 50V K		C982	NCB31EK-104X	C CAPACITOR	0.1uF 25V K	
C513	NCB31HK-682X	C CAPACITOR	6800pF 50V K		C984	NCB21AK-225X	C CAPACITOR	2.2uF 10V K	
C515	NCB31HK-122X	C CAPACITOR	1200pF 50V K		R1	NRSA63J-474X	MG RESISTOR	470kΩ 1/16W J	
C517	NCB31HK-182X	C CAPACITOR	1800pF 50V K		R2	NRSA63J-474X	MG RESISTOR	470kΩ 1/16W J	
C518	NDC31HJ-680X	C CAPACITOR	68pF 50V J		R4	NRSA63J-472X	MG RESISTOR	4.7kΩ 1/16W J	
C521	NCB31EK-104X	C CAPACITOR	0.1uF 25V K		R5	NRS181J-220X	MG RESISTOR	22Ω 1/8W J	
C522	NCB31CK-224X	C CAPACITOR	0.22uF 16V K		R6	NRSA63J-101X	MG RESISTOR	100Ω 1/16W J	
C524	NDC31HJ-561X	C CAPACITOR	560pF 50V J		R7	NRSA63J-101X	MG RESISTOR	100Ω 1/16W J	
C525	NCB31CK-223X	C CAPACITOR	0.022uF 16V K		R10	NRSA63J-0R0X	MG RESISTOR	0Ω 1/16W J	
C526	NCB31CK-223X	C CAPACITOR	0.022uF 16V K		R11	NRS181J-4R7X	MG RESISTOR	4.7Ω 1/8W J	
C527	NCB31EK-332X	C CAPACITOR	3300pF 25V K		R16	NRSA63J-472X	MG RESISTOR	4.7kΩ 1/16W J	
C528	NDC31HJ-181X	C CAPACITOR	180pF 50V J		R17	NRSA63J-472X	MG RESISTOR	4.7kΩ 1/16W J	
C529	NCB31HK-103X	C CAPACITOR	0.01uF 50V K		R81	NRSA63J-752X	MG RESISTOR	7.5kΩ 1/16W J	A,B
C530	NCB31HK-103X	C CAPACITOR	0.01uF 50V K		R81	NRSA63J-682X	MG RESISTOR	6.8kΩ 1/16W J	C,D,E,F,G, H,I,J,K
C531	NCB31AK-334X	C CAPACITOR	0.33uF 10V K		R82	NRSA63J-392X	MG RESISTOR	3.9kΩ 1/16W J	A,B
C532	NCB31AK-334X	C CAPACITOR	0.33uF 10V K		R82	NRSA63J-822X	MG RESISTOR	8.2kΩ 1/16W J	C,D,E,F,G, H,I,J,K
C534	NCB31EK-332X	C CAPACITOR	3300pF 25V K		R91	NRSA63J-752X	MG RESISTOR	7.5kΩ 1/16W J	A,B
C535	NCB31EK-104X	C CAPACITOR	0.1uF 25V K		R91	NRSA63J-682X	MG RESISTOR	6.8kΩ 1/16W J	C,D,E,F,G, H,I,J,K
C536	QEKJ0JM-476Z	E CAPACITOR	47uF 6.3V M		R92	NRSA63J-392X	MG RESISTOR	3.9kΩ 1/16W J	A,B
C537	QEKJ0JM-476Z	E CAPACITOR	47uF 6.3V M		R92	NRSA63J-822X	MG RESISTOR	8.2kΩ 1/16W J	C,D,E,F,G, H,I,J,K
C539	NCB31EK-104X	C CAPACITOR	0.1uF 25V K		R122	NRSA63J-471X	MG RESISTOR	470Ω 1/16W J	
C540	NCS31HJ-681X	C CAPACITOR	680pF 50V J		R161	NRSA63J-473X	MG RESISTOR	47kΩ 1/16W J	
C541	NCB31EK-153X	C CAPACITOR	0.015uF 25V K		R162	NRSA63J-473X	MG RESISTOR	47kΩ 1/16W J	
C542	NCB31EK-104X	C CAPACITOR	0.1uF 25V K		R163	NRSA63J-222X	MG RESISTOR	2.2kΩ 1/16W J	
C543	NCB31HK-102X	C CAPACITOR	1000pF 50V K		R164	NRSA63J-101X	MG RESISTOR	100Ω 1/16W J	
C544	NCB31EK-823X	C CAPACITOR	0.082uF 25V K		R165	NRSA63J-101X	MG RESISTOR	100Ω 1/16W J	
C545	NCB31EK-104X	C CAPACITOR	0.1uF 25V K		R166	NRS181J-224X	MG RESISTOR	220kΩ 1/8W J	
C547	QTE0J57-476Z	E CAPACITOR	47uF 6.3V		R174	NRSA63J-472X	MG RESISTOR	4.7kΩ 1/16W J	
C548	QTE0J57-476Z	E CAPACITOR	47uF 6.3V		R175	NRSA63J-472X	MG RESISTOR	4.7kΩ 1/16W J	
C549	NCB31EK-104X	C CAPACITOR	0.1uF 25V K		R303	NRS181J-100X	MG RESISTOR	10Ω 1/8W J	
C551	NCB31EK-104X	C CAPACITOR	0.1uF 25V K		R305	NRSA63J-102X	MG RESISTOR	1kΩ 1/16W J	
C552	QEKJ0JM-476Z	E CAPACITOR	47uF 6.3V M		R342	NRSA63J-821X	MG RESISTOR	820Ω 1/16W J	
C583	NDC31HJ-821X	C CAPACITOR	820pF 50V J		R343	NRSA63J-101X	MG RESISTOR	100Ω 1/16W J	
C584	NDC31HJ-821X	C CAPACITOR	820pF 50V J		R344	NRSA63J-222X	MG RESISTOR	2.2kΩ 1/16W J	
C585	QTE1H64-225Z	E CAPACITOR	2.2uF 50V		R352	NRSA63J-821X	MG RESISTOR	820Ω 1/16W J	
C586	QTE1H64-225Z	E CAPACITOR	2.2uF 50V		R353	NRSA63J-101X	MG RESISTOR	100Ω 1/16W J	
C587	NDC31HJ-151X	C CAPACITOR	150pF 50V J		R354	NRSA63J-222X	MG RESISTOR	2.2kΩ 1/16W J	
C588	NDC31HJ-151X	C CAPACITOR	150pF 50V J		R381	NRSA63J-102X	MG RESISTOR	1kΩ 1/16W J	A
C590	QTE0J57-476Z	E CAPACITOR	47uF 6.3V		R382	NRSA63J-102X	MG RESISTOR	1kΩ 1/16W J	A
C591	QTE1A57-107Z	E CAPACITOR	100uF 10V		R383	NRSA63J-473X	MG RESISTOR	47kΩ 1/16W J	
C592	NCB31EK-104X	C CAPACITOR	0.1uF 25V K		R384	NRSA63J-104X	MG RESISTOR	100kΩ 1/16W J	A
C703	NDC31HJ-200X	C CAPACITOR	20pF 50V J		R385	NRSA63J-223X	MG RESISTOR	22kΩ 1/16W J	A
C704	NDC31HJ-200X	C CAPACITOR	20pF 50V J		R386	NRSA63J-223X	MG RESISTOR	22kΩ 1/16W J	A
C706	NCB31EK-103X	C CAPACITOR	0.01uF 25V K		R387	NRSA63J-473X	MG RESISTOR	47kΩ 1/16W J	
C707	QEKJ1CM-107Z	E CAPACITOR	100uF 16V M		R388	NRS181J-333X	MG RESISTOR	33kΩ 1/8W J	A
C708	NCB31CK-104X	C CAPACITOR	0.1uF 16V K		R389	NRSA63J-333X	MG RESISTOR	33kΩ 1/16W J	A
C709	NCB31CK-104X	C CAPACITOR	0.1uF 16V K		R390	NRSA63J-104X	MG RESISTOR	100kΩ 1/16W J	A
C710	NDC31HJ-101X	C CAPACITOR	100pF 50V J	A	R500	NRS181J-220X	MG RESISTOR	22Ω 1/8W J	
C711	QTE0J57-476Z	E CAPACITOR	47uF 6.3V		R501	NRSA63J-822X	MG RESISTOR	8.2kΩ 1/16W J	
C712	NCB31EK-103X	C CAPACITOR	0.01uF 25V K		R502	NRSA63J-822X	MG RESISTOR	8.2kΩ 1/16W J	
C714	NCB31CK-104X	C CAPACITOR	0.1uF 16V K		R503	NRSA63J-512X	MG RESISTOR	5.1kΩ 1/16W J	
C715	NCB31CK-104X	C CAPACITOR	0.1uF 16V K		R504	NRSA63J-822X	MG RESISTOR	8.2kΩ 1/16W J	
C717	NCB31CK-104X	C CAPACITOR	0.1uF 16V K		R505	NRSA63J-822X	MG RESISTOR	8.2kΩ 1/16W J	
C718	NCB31CK-104X	C CAPACITOR	0.1uF 16V K		R506	NRSA63J-393X	MG RESISTOR	39kΩ 1/16W J	
C719	QEKJ1CM-107Z	E CAPACITOR	100uF 16V M		R507	NRSA63J-203X	MG RESISTOR	20kΩ 1/16W J	
C720	NCB31AK-474X	C CAPACITOR	0.47uF 10V K		R508	NRS181J-682X	MG RESISTOR	6.8kΩ 1/8W J	
C721	NCB31CK-104X	C CAPACITOR	0.1uF 16V K		R509	NRSA63J-683X	MG RESISTOR	68kΩ 1/16W J	
C722	QEKJ1HM-475Z	E CAPACITOR	4.7uF 50V M		R510	NRSA63J-273X	MG RESISTOR	27kΩ 1/16W J	
C726	NDC31HJ-391X	C CAPACITOR	390pF 50V J		R511	NRS181J-153X	MG RESISTOR	15kΩ 1/8W J	
C727	NDC31HJ-391X	C CAPACITOR	390pF 50V J		R512	NRS181J-562X	MG RESISTOR	5.6kΩ 1/8W J	
C741	NDC31HJ-680X	C CAPACITOR	68pF 50V J		R513	NRS181J-103X	MG RESISTOR	10kΩ 1/8W J	
C771	NCB31EK-473X	C CAPACITOR	0.047uF 25V K		R514	NRS181J-562X	MG RESISTOR	5.6kΩ 1/8W J	
C781	QEKJ1AM-227Z	E CAPACITOR	220uF 10V M		R515	NRSA63J-153X	MG RESISTOR	15kΩ 1/16W J	
C784	QEKJ1CM-107Z	E CAPACITOR	100uF 16V M		R516	NRSA63J-102X	MG RESISTOR	1kΩ 1/16W J	
C785	QEKJ0JM-107Z	E CAPACITOR	100uF 6.3V M		R517	NRS181J-153X	MG RESISTOR	15kΩ 1/8W J	
C801	NCB31EK-473X	C CAPACITOR	0.047uF 25V K		R518	NRSA63J-562X	MG RESISTOR	5.6kΩ 1/16W J	
C852	NCB31CK-224X	C CAPACITOR	0.22uF 16V K	C,D,E,F,G, H,I,J,K	R519	NRSA63J-203X	MG RESISTOR	20kΩ 1/16W J	
C901	QEZ0870-278	E CAPACITOR	2700uF		R520	NRS181J-220X	MG RESISTOR	22Ω 1/8W J	
C902	QERF1HM-225Z	E CAPACITOR	2.2uF 50V M		R521	NRSA63J-105X	MG RESISTOR	1MΩ 1/16W J	
C903	QEKJ1CM-476Z	E CAPACITOR	47uF 16V M		R522	NRSA63J-221X	MG RESISTOR	220Ω 1/16W J	
C905	QEKJ1CM-476Z	E CAPACITOR	47uF 16V M		R524	NRS181J-102X	MG RESISTOR	1kΩ 1/8W J	
C906	NCB31HK-103X	C CAPACITOR	0.01uF 50V K		R525	NRSA63J-101X	MG RESISTOR	100Ω 1/16W J	
C908	QEKJ1AM-227Z	E CAPACITOR	220uF 10V M		R526	NRSA63J-101X	MG RESISTOR	100Ω 1/16W J	
C909	QERF0JM-337Z	E CAPACITOR	330uF 6.3V M		R527	NRS181J-101X	MG RESISTOR	100Ω 1/8W J	
C912	NCB31HK-103X	C CAPACITOR	0.01uF 50V K						
C916	NCB31HK-103X	C CAPACITOR	0.01uF 50V K						
C971	NCB31EK-104X	C CAPACITOR	0.1uF 25V K						

△ Symbol No.	Part No.	Part Name	Description	Local
R528	NRSA63J-101X	MG RESISTOR	100Ω 1/16W J	
R529	NRSA63J-101X	MG RESISTOR	100Ω 1/16W J	
R535	NRSA63J-103X	MG RESISTOR	10kΩ 1/16W J	
R536	NRSA63J-822X	MG RESISTOR	8.2kΩ 1/16W J	
R537	NRSA63J-153X	MG RESISTOR	15kΩ 1/16W J	
R538	NRSA63J-103X	MG RESISTOR	10kΩ 1/16W J	
R540	NRSA63J-303X	MG RESISTOR	30kΩ 1/16W J	
R541	NRSA63J-393X	MG RESISTOR	39kΩ 1/16W J	
R542	NRSA63J-472X	MG RESISTOR	4.7kΩ 1/16W J	
R543	NRS181J-102X	MG RESISTOR	1kΩ 1/8W J	
R544	NRSA63J-102X	MG RESISTOR	1kΩ 1/16W J	
R545	NRSA63J-332X	MG RESISTOR	3.3kΩ 1/16W J	
R546	NRSA63J-822X	MG RESISTOR	8.2kΩ 1/16W J	
R547	NRSA63J-822X	MG RESISTOR	8.2kΩ 1/16W J	
R548	NRSA63J-332X	MG RESISTOR	3.3kΩ 1/16W J	
R549	NRS181J-562X	MG RESISTOR	5.6kΩ 1/8W J	
R554	NRSA63J-4R7X	MG RESISTOR	4.7Ω 1/16W J	
R556	NRSA63J-473X	MG RESISTOR	47kΩ 1/16W J	
R558	NRSA63J-823X	MG RESISTOR	82kΩ 1/16W J	
R559	NRSA63J-821X	MG RESISTOR	820Ω 1/16W J	
R565	NRSA63J-151X	MG RESISTOR	150Ω 1/16W J	
R566	NRS181J-100X	MG RESISTOR	10Ω 1/8W J	
R583	NRSA63J-153X	MG RESISTOR	15kΩ 1/16W J	
R584	NRSA63J-153X	MG RESISTOR	15kΩ 1/16W J	
R585	NRSA63J-562X	MG RESISTOR	5.6kΩ 1/16W J	
R586	NRSA63J-562X	MG RESISTOR	5.6kΩ 1/16W J	
R587	NRSA63J-273X	MG RESISTOR	27kΩ 1/16W J	
R588	NRSA63J-273X	MG RESISTOR	27kΩ 1/16W J	
R591	NRSA63J-103X	MG RESISTOR	10kΩ 1/16W J	
R592	NRSA63J-103X	MG RESISTOR	10kΩ 1/16W J	
R593	NRS181J-223X	MG RESISTOR	22kΩ 1/8W J	
R594	NRSA63J-223X	MG RESISTOR	22kΩ 1/16W J	
R701	NRSA63J-103X	MG RESISTOR	10kΩ 1/16W J	
R702	NRSA63J-103X	MG RESISTOR	10kΩ 1/16W J	
R703	NRSA63J-104X	MG RESISTOR	100kΩ 1/16W J	
R704	NRSA63J-104X	MG RESISTOR	100kΩ 1/16W J	
R706	NRSA63J-472X	MG RESISTOR	4.7kΩ 1/16W J	
R707	NRSA63J-472X	MG RESISTOR	4.7kΩ 1/16W J	
R708	NRSA63J-104X	MG RESISTOR	100kΩ 1/16W J	C,D,E,F,G, H,I,J,K
R709	NRSA63J-473X	MG RESISTOR	47kΩ 1/16W J	A,B
R712	NRSA63J-0R0X	MG RESISTOR	0Ω 1/16W J	
R714	NRSA63J-0R0X	MG RESISTOR	0Ω 1/16W J	
R716	NRS181J-102X	MG RESISTOR	1kΩ 1/8W J	
R717	NRSA63J-102X	MG RESISTOR	1kΩ 1/16W J	
R718	NRSA63J-102X	MG RESISTOR	1kΩ 1/16W J	
R719	NRSA63J-102X	MG RESISTOR	1kΩ 1/16W J	
R720	NRSA63J-102X	MG RESISTOR	1kΩ 1/16W J	
R721	NRSA63J-102X	MG RESISTOR	1kΩ 1/16W J	
R723	NRSA63J-103X	MG RESISTOR	10kΩ 1/16W J	
R726	NRSA63J-273X	MG RESISTOR	27kΩ 1/16W J	
R727	NRSA63J-222X	MG RESISTOR	2.2kΩ 1/16W J	
R731	NRS181J-104X	MG RESISTOR	100kΩ 1/8W J	
R732	NRSA63J-472X	MG RESISTOR	4.7kΩ 1/16W J	
R733	NRSA63J-101X	MG RESISTOR	100Ω 1/16W J	
R734	NRSA63J-472X	MG RESISTOR	4.7kΩ 1/16W J	
R735	NRS181J-472X	MG RESISTOR	4.7kΩ 1/8W J	
R736	NRSA63J-561X	MG RESISTOR	560Ω 1/16W J	
R737	NRSA63J-561X	MG RESISTOR	560Ω 1/16W J	
R738	NRSA63J-561X	MG RESISTOR	560Ω 1/16W J	
R739	NRSA63J-561X	MG RESISTOR	560Ω 1/16W J	
R740	NRS181J-104X	MG RESISTOR	100kΩ 1/8W J	
R746	NRSA63J-104X	MG RESISTOR	100kΩ 1/16W J	
R747	NRSA63J-103X	MG RESISTOR	10kΩ 1/16W J	
R752	NRSA63J-472X	MG RESISTOR	4.7kΩ 1/16W J	
R753	NRSA63J-472X	MG RESISTOR	4.7kΩ 1/16W J	
R754	NRSA63J-202X	MG RESISTOR	2kΩ 1/16W J	
R755	NRSA63J-472X	MG RESISTOR	4.7kΩ 1/16W J	
R756	NRSA63J-472X	MG RESISTOR	4.7kΩ 1/16W J	
R758	NRSA63J-473X	MG RESISTOR	47kΩ 1/16W J	
R759	NRS181J-222X	MG RESISTOR	2.2kΩ 1/8W J	
R770	NRSA63J-222X	MG RESISTOR	2.2kΩ 1/16W J	A
R770	NRSA63J-0R0X	MG RESISTOR	0Ω 1/16W J	B,C,D,E,F, G,H,I,J,K
R771	NRSA63J-271X	MG RESISTOR	270Ω 1/16W J	
R772	NRSA63J-271X	MG RESISTOR	270Ω 1/16W J	
R773	NRSA63J-223X	MG RESISTOR	22kΩ 1/16W J	A
R773	NRSA63J-473X	MG RESISTOR	47kΩ 1/16W J	B,C,D,E,F, G,H,I,J,K

△ Symbol No.	Part No.	Part Name	Description	Local
R774	NRSA63J-473X	MG RESISTOR	47kΩ 1/16W J	
R775	NRSA63J-222X	MG RESISTOR	2.2kΩ 1/16W J	
R779	NRSA63J-101X	MG RESISTOR	100Ω 1/16W J	
R781	NRSA63J-473X	MG RESISTOR	47kΩ 1/16W J	
R782	NRSA63J-472X	MG RESISTOR	4.7kΩ 1/16W J	
R783	NRSA63J-103X	MG RESISTOR	10kΩ 1/16W J	
R802	NRSA63J-104X	MG RESISTOR	100kΩ 1/16W J	
R803	NRS181J-682X	MG RESISTOR	6.8kΩ 1/8W J	
R804	NRSA63J-392X	MG RESISTOR	3.9kΩ 1/16W J	
R807	NRSA63J-104X	MG RESISTOR	100kΩ 1/16W J	
R808	NRSA63J-101X	MG RESISTOR	100Ω 1/16W J	
R809	NRSA63J-473X	MG RESISTOR	47kΩ 1/16W J	
R810	NRSA63J-392X	MG RESISTOR	3.9kΩ 1/16W J	
R811	NRSA63J-682X	MG RESISTOR	6.8kΩ 1/16W J	
R812	NRSA63J-104X	MG RESISTOR	100kΩ 1/16W J	
R814	NRSA63J-101X	MG RESISTOR	100Ω 1/16W J	
R819	NRSA63J-473X	MG RESISTOR	47kΩ 1/16W J	
R851	NRSA63J-472X	MG RESISTOR	4.7kΩ 1/16W J	C,D,E,F,G, H,I,J,K
R901	QRE142J-102X	C RESISTOR	1kΩ 1/4W J	
R902	NRSA02J-912X	MG RESISTOR	9.1kΩ 1/10W J	
R903	NRS181J-472X	MG RESISTOR	4.7kΩ 1/8W J	
R905	NRSA02J-102X	MG RESISTOR	1kΩ 1/10W J	C,D,E,F,G, H,I,J,K
R906	NRSA63J-473X	MG RESISTOR	47kΩ 1/16W J	C,D,E,F,G, H,I,J,K
R971	NRS181J-222X	MG RESISTOR	2.2kΩ 1/8W J	
R972	NRS181J-222X	MG RESISTOR	2.2kΩ 1/8W J	
R976	NRSA02J-273X	MG RESISTOR	27kΩ 1/10W J	
R977	NRSA02J-123X	MG RESISTOR	12kΩ 1/10W J	
L1	NQL093K-R47X	COIL	0.47uH K	
L2	NQL093K-1R8X	COIL	1.8uH K	
L3	QQL213M-R22Z	COIL	0.22uH M	
L4	QQR1813-001	COIL		
L5	QQL244J-561Z	COIL	560uH J	
L6	QQL244J-561Z	COIL	560uH J	
L7	QQL244J-4R7Z	P COIL	4.7uH J	
L8	QQL244J-4R7Z	P COIL	4.7uH J	
L9	NQL093K-R47X	COIL	0.47uH K	
L120	NQR0007-002X	FERRITE BEADS		
L121	NQR0007-002X	FERRITE BEADS		
L122	NQR0007-002X	FERRITE BEADS		
L701	QQL244J-4R7Z	P COIL	4.7uH J	
L702	QQL244J-4R7Z	P COIL	4.7uH J	
L901	QQR1852-001	CHOKE COIL		
L901	or QQR0703-001	CHOKE COIL		
CN501	QGB2027MD-26	CONNECTOR	B-B (1-26)	
CN701	QGZ1601J1-15	CONNECTOR	(1-15)	
CN901	QNZ0607-001	CAR CONNECTOR		
J1	QNB0190-001	ANT TERMINAL		
J321	QNN0832-001	PIN JACK		A
J321	QNN0802-001	PIN JACK		B,C,D,E,F, G,H,I,J,K A
J702	QNS0283-001	STEERING REMOTE		
J801	QNZ0095-001	CONNECTOR		
S701	QSW0648-001Z	TACT SWITCH		
X1	QAX0928-001Z	CRYSTAL		
X521	QAX0930-001Z	CRYSTAL		
X701	QAX0667-001Z	C RESONATOR	8.000MHz	
X702	QAX0401-001	CRYSTAL	32.768KHz	

Old Switch board

Block No. [0][2]

△ Symbol No.	Part No.	Part Name	Description	Local
IC601	NCP5623DTBR2G-X	IC		
IC661	PTC6526LQ-L	IC		
IC681	NJL29H380A	REMOCON RCV		
Q601	2SC3928A/QR/-X	TRANSISTOR		
Q601	or 2SC5845-X	TRANSISTOR		
Q602	UNR9211G-X	TRANSISTOR		

△ Symbol No.	Part No.	Part Name	Description	Local	△ Symbol No.	Part No.	Part Name	Description	Local
Q604	2SA2174G-X	TRANSISTOR			S602	NSW0316-001X	TACT SWITCH		
Q605	UN2222-X	IC			S603	NSW0316-001X	TACT SWITCH		
Q607	2SA2174G-X	TRANSISTOR			S604	NSW0316-001X	TACT SWITCH		
Q608	UN2222-X	IC			S605	NSW0316-001X	TACT SWITCH		
Q610	2SA2174G-X	TRANSISTOR			S606	NSW0316-001X	TACT SWITCH		
Q611	UN2222-X	IC			S607	NSW0316-001X	TACT SWITCH		
D601	NSSM065T-X	LED			S608	NSW0316-001X	TACT SWITCH		
D602	NSSM065T-X	LED			S609	NSW0316-001X	TACT SWITCH		
D604	NSSM065T-X	LED			S610	NSW0316-001X	TACT SWITCH		
D605	NSSM065T-X	LED			S611	NSW0316-001X	TACT SWITCH		
D630	LHQ974/LM/-X	LED							
D631	LHQ974/LM/-X	LED							
D632	LHQ974/LM/-X	LED							
D650	MA8056/M-X	Z DIODE							
D650	or UDW5.6B-X	Z DIODE							
D661	MA111-X	SI DIODE							
D661	or 1SS355W-X	DIODE							
C603	NCB31CK-104X	C CAPACITOR	0.1uF 16V K						
C604	NCB31CK-105X	C CAPACITOR	1uF 16V K						
C650	NCB31CK-104X	C CAPACITOR	0.1uF 16V K						
C651	NBE21CM-106X	TA E CAPACITOR	10uF 16V M						
C661	NCB31CK-105X	C CAPACITOR	1uF 16V K						
C662	NDC31HJ-151X	C CAPACITOR	150pF 50V J						
C663	NCB31CK-223X	C CAPACITOR	0.022uF 16V K						
C665	NCB31CK-104X	C CAPACITOR	0.1uF 16V K						
C666	NCB31CK-104X	C CAPACITOR	0.1uF 16V K						
C682	NCB31EK-104X	C CAPACITOR	0.1uF 25V K						
R601	NRSA63J-821X	MG RESISTOR	820Ω 1/16W J						
R602	NRSA63J-821X	MG RESISTOR	820Ω 1/16W J						
R603	NRSA63J-122X	MG RESISTOR	1.2kΩ 1/16W J						
R604	NRSA63J-182X	MG RESISTOR	1.8kΩ 1/16W J						
R605	NRSA63J-272X	MG RESISTOR	2.7kΩ 1/16W J						
R607	NRSA63J-392X	MG RESISTOR	3.9kΩ 1/16W J						
R608	NRSA63J-821X	MG RESISTOR	820Ω 1/16W J						
R609	NRSA63J-821X	MG RESISTOR	820Ω 1/16W J						
R610	NRSA63J-122X	MG RESISTOR	1.2kΩ 1/16W J						
R611	NRSA63J-182X	MG RESISTOR	1.8kΩ 1/16W J						
R612	NRSA63J-272X	MG RESISTOR	2.7kΩ 1/16W J						
R613	NRSA63J-103X	MG RESISTOR	10kΩ 1/16W J						
R614	NRSA63F-154X	MG RESISTOR	150kΩ 1/16W F						
R615	NRSA63J-101X	MG RESISTOR	100Ω 1/16W J						
R618	NRSA63J-101X	MG RESISTOR	100Ω 1/16W J						
R630	NRSA63J-271X	MG RESISTOR	270Ω 1/16W J						
R631	NRSA63J-471X	MG RESISTOR	470Ω 1/16W J						
R634	NRSA63J-561X	MG RESISTOR	560Ω 1/16W J						
R636	NRSA63J-222X	MG RESISTOR	2.2kΩ 1/16W J						
R637	NRSA63J-222X	MG RESISTOR	2.2kΩ 1/16W J						
R638	NRSA63J-222X	MG RESISTOR	2.2kΩ 1/16W J						
R644	NRSA63J-751X	MG RESISTOR	750Ω 1/16W J						
R645	NRSA63J-751X	MG RESISTOR	750Ω 1/16W J						
R646	NRSA63J-122X	MG RESISTOR	1.2kΩ 1/16W J						
R647	NRSA63J-122X	MG RESISTOR	1.2kΩ 1/16W J						
R648	NRSA63J-122X	MG RESISTOR	1.2kΩ 1/16W J						
R649	NRSA63J-162X	MG RESISTOR	1.6kΩ 1/16W J						
R651	NRSA63J-102X	MG RESISTOR	1kΩ 1/16W J						
R656	NRS181J-471X	MG RESISTOR	470Ω 1/8W J						
R657	NRS181J-471X	MG RESISTOR	470Ω 1/8W J						
R658	NRS181J-751X	MG RESISTOR	750Ω 1/8W J						
R660	NRS181J-394X	MG RESISTOR	390kΩ 1/8W J						
R661	NRSA63J-102X	MG RESISTOR	1kΩ 1/16W J						
R662	NRSA63J-102X	MG RESISTOR	1kΩ 1/16W J						
R663	NRSA63J-102X	MG RESISTOR	1kΩ 1/16W J						
R664	NRS181J-224X	MG RESISTOR	220kΩ 1/8W J						
R665	NRSA63J-101X	MG RESISTOR	100Ω 1/16W J						
R666	NRSA63J-101X	MG RESISTOR	100Ω 1/16W J						
R667	NRSA63J-101X	MG RESISTOR	100Ω 1/16W J						
R681	NRSA63J-471X	MG RESISTOR	470Ω 1/16W J						
R682	NRSA63J-102X	MG RESISTOR	1kΩ 1/16W J						
CJ601	QGZ1601K1-15S	CONNECTOR	(1-15)						
J601	QNS0215-001	3.5 JACK		A,B					
J601	QNS0245-001	AUX JACK		C,D,E,F, G,H,I,J,K					
JS686	QSW1231-002	ROTARY ENCODER							
S601	NSW0124-001X	TACT SW							

CD control board

Block No. [0][3]

△ Symbol No.	Part No.	Part Name	Description	Local
Q101	2SC3928A/R/-X	TRANSISTOR		
Q101	or 2SD601A/R/-X	TRANSISTOR		
Q201	2SC3928A/R/-X	TRANSISTOR		
Q201	or 2SD601A/R/-X	TRANSISTOR		
Q301	PS1191RB22/BC/X	PHOTO TRANSISTOR		
Q302	PS1191RB22/BC/X	PHOTO TRANSISTOR		
D101	AN1105W21/AB/-X	IR LED		
D201	AN1105W21/AB/-X	IR LED		
R101	NRSA02J-391X	MG RESISTOR	390Ω 1/10W J	
R102	NRSA63J-822X	MG RESISTOR	8.2kΩ 1/16W J	
R103	NRSA63J-184X	MG RESISTOR	180kΩ 1/16W J	
R104	NRSA63J-184X	MG RESISTOR	180kΩ 1/16W J	
R105	NRSA63J-153X	MG RESISTOR	15kΩ 1/16W J	
R201	NRSA02J-391X	MG RESISTOR	390Ω 1/10W J	
R202	NRSA63J-822X	MG RESISTOR	8.2kΩ 1/16W J	
R203	NRSA63J-184X	MG RESISTOR	180kΩ 1/16W J	
R204	NRSA63J-184X	MG RESISTOR	180kΩ 1/16W J	
R205	NRSA63J-153X	MG RESISTOR	15kΩ 1/16W J	
CN101	QGB2027LA-26X	CONNECTOR	B-B (1-26)	
CN102	QGF0522F3-15W	CONNECTOR	FFC/FPC (1-15)	
SW1	NSW0291-001X	DETECT SWITCH		

Main board

Block No. [0][4]

△ Symbol No.	Part No.	Part Name	Description	Local
△ IC1	TEF6606T/V5-X	IC		
	IC161	BD3700FV-X	IC	
△ IC301	TB2926CHQ	IC		
IC381	NJM2160BV-X	IC		A
△ IC501	LA6565-X	IC		
△ IC521	MN6627945EE	IC		
IC581	NJM4565E-X	IC		
△ IC701	MN101E16YFA1	IC		
IC702	S-80824CNNB-G-W	IC		
IC702	or IC-PST3424U-X	IC		
IC801	74AHCT126PW-X	IC		
△ IC901	AN34001A	IC		
IC981	NJM2878F4-15-X	IC		
Q341	IMX9-W	PAIR TRANSISTOR		
Q501	2SA1705/ST/-T	TRANSISTOR		
Q521	ISA1530AC1/R/-X	TRANSISTOR		
Q521	or 2SA2077-X	TRANSISTOR		
Q781	RT1P141C-X	DIGI TRANSISTOR		
Q781	or UN2111-X	TRANSISTOR		
Q782	2SC3928A/QR/-X	TRANSISTOR		
Q782	or 2SC5845-X	TRANSISTOR		
Q784	RT1P141C-X	DIGI TRANSISTOR		

△ Symbol No.	Part No.	Part Name	Description	Local	△ Symbol No.	Part No.	Part Name	Description	Local
Q784	or UN2111-X	TRANSISTOR			C169	NCB31EK-103X	C CAPACITOR	0.01uF 25V K	
Q785	RT1P141C-X	DIGI TRANSISTOR			C171	NCB31CK-104X	C CAPACITOR	0.1uF 16V K	
Q785	or UN2111-X	TRANSISTOR			C172	QTE1H57-105Z	E CAPACITOR	1uF 50V	A,B,C,D,E,F, G,H,I,J,K
Q921	2SB1132/QRJ-W	TRANSISTOR		C,D,E,F,G,H,I ,J,K					L
Q922	RT1N141C-X	DIGI TRANSISTOR		C,D,E,F,G,H,I ,J,K	C172	QTE1H64-225Z	E CAPACITOR	2.2uF 50V	
Q922	or UN2211-X	TRANSISTOR		C,D,E,F,G,H,I ,J,K	C173	QTE1H57-105Z	E CAPACITOR	1uF 50V	
Q976	RT1N141C-X	DIGI TRANSISTOR		C,D,E,F,G,H,I ,J,K	C174	NCB31AK-105X	C CAPACITOR	1uF 10V K	
Q976	or UN2211-X	TRANSISTOR			C175	NCB31HK-103X	C CAPACITOR	0.01uF 50V K	
Q977	ISA1530AC1/R/-X	TRANSISTOR			C180	QTE1A57-107Z	E CAPACITOR	100uF 10V	
Q977	or 2SA2077-X	TRANSISTOR			C181	QTE1C57-106Z	E CAPACITOR	10uF 16V	
D331	MC2836-X	DIODE			C301	QFV91HJ-474Z	MF CAPACITOR	0.47uF 50V J	
D331	or MA152WA-X	DIODE			C302	QFV91HJ-474Z	MF CAPACITOR	0.47uF 50V J	
D501	1A3G-T1	SI DIODE			C311	QFV91HJ-474Z	MF CAPACITOR	0.47uF 50V J	
D711	MA8062/M/-X	Z DIODE		A	C312	QFV91HJ-474Z	MF CAPACITOR	0.47uF 50V J	
D711	or UDZW6.2B-X	Z DIODE		A	C315	NCB31AK-105X	C CAPACITOR	1uF 10V K	
D712	MA111-X	SI DIODE			C316	NCB31AK-105X	C CAPACITOR	1uF 10V K	
D712	or 1SS355W-X	DIODE			C317	QTE1C57-476Z	E CAPACITOR	47uF 16V	
D715	MA8062/M/-X	Z DIODE			C318	QEKJ1CM-226Z	E CAPACITOR	22uF 16V M	A
D715	or UDZW6.2B-X	Z DIODE			C321	NCB21AK-225X-A	C CAPACITOR	2.2uF 10V K	
D716	MA8062/M/-X	Z DIODE			C383	QEKJ1HM-475Z	E CAPACITOR	4.7uF 50V M	A
D716	or UDZW6.2B-X	Z DIODE			C384	QEKJ1HM-475Z	E CAPACITOR	4.7uF 50V M	A
D717	MA8062/M/-X	Z DIODE			C385	QEKJ1HM-475Z	E CAPACITOR	4.7uF 50V M	
D717	or UDZW6.2B-X	Z DIODE			C386	QEKJ1HM-475Z	E CAPACITOR	4.7uF 50V M	
D718	MA8062/M/-X	Z DIODE			C387	NCB31HK-152X	C CAPACITOR	1500pF 50V K	A
D718	or UDZW6.2B-X	Z DIODE			C388	NCB31HK-152X	C CAPACITOR	1500pF 50V K	A
D781	MA111-X	SI DIODE			C389	QEKJ1CM-107Z	E CAPACITOR	100uF 16V M	A
D781	or 1SS355W-X	DIODE			C390	QEKJ1CM-107Z	E CAPACITOR	100uF 16V M	A
D782	MA111-X	SI DIODE			C392	NCB31EK-104X	C CAPACITOR	0.1uF 25V K	A
D782	or 1SS355W-X	DIODE			C393	QEKJ1CM-476Z	E CAPACITOR	47uF 16V M	A
D784	MA8100/M/-X	Z DIODE			C501	QEKJ0JM-227Z	E CAPACITOR	220uF 6.3V M	
D784	or UDZW10B-X	Z DIODE			C503	QEKJ1CM-476Z	E CAPACITOR	47uF 16V M	
D786	MA111-X	SI DIODE			C504	NCB31EK-104X	C CAPACITOR	0.1uF 25V K	
D786	or 1SS355W-X	DIODE			C505	NCB31EK-104X	C CAPACITOR	0.1uF 25V K	
D787	MA111-X	SI DIODE			C507	NCB31EK-473X	C CAPACITOR	0.047uF 25V K	
D787	or 1SS355W-X	DIODE			C511	NCB31HK-222X	C CAPACITOR	2200pF 50V K	
D851	MA22F20-X	SB DIODE		C,D,E,F,G,H,I ,J,K	C513	NCB31HK-682X	C CAPACITOR	6800pF 50V K	
D851	MA22F20-X	SB DIODE		C,D,E,F,G,H,I ,J,K	C515	NCB31HK-122X	C CAPACITOR	1200pF 50V K	
D852	MA22D39-X	SB DIODE		C,D,E,F,G,H,I ,J,K	C517	NCB31HK-182X	C CAPACITOR	1800pF 50V K	
△ D901	1N5401-F64	SI DIODE			C518	NDC31HJ-680X	C CAPACITOR	68pF 50V J	
△ D901	or 1N5401-TU-15	SI DIODE			C521	NCB31EK-104X	C CAPACITOR	0.1uF 25V K	
D971	MA22F20-X	SB DIODE			C522	NCB31CK-223X	C CAPACITOR	0.022uF 16V K	
D972	MA22D39-X	SB DIODE			C524	NDC31HJ-561X	C CAPACITOR	560pF 50V J	
C1	NCB31HK-102X	C CAPACITOR	1000pF 50V K		C525	NCB31CK-223X	C CAPACITOR	0.022uF 16V K	
C2	NDC31HJ-7R0X	C CAPACITOR	7pF 50V J		C526	NCB31CK-223X	C CAPACITOR	0.022uF 16V K	
C3	NCB31HK-102X	C CAPACITOR	1000pF 50V K		C527	NCB31EK-332X	C CAPACITOR	3300pF 25V K	
C4	NCB31AK-224X	C CAPACITOR	0.22uF 10V K		C528	NCB31HJ-181X	C CAPACITOR	180pF 50V J	
C5	NDC31HJ-150X	C CAPACITOR	15pF 50V J		C529	NCB31HK-103X	C CAPACITOR	0.01uF 50V K	
C6	NDC31HJ-2R0X	C CAPACITOR	2pF 50V J		C530	NCB31HK-103X	C CAPACITOR	0.01uF 50V K	
C7	NDC31HJ-220X	C CAPACITOR	22pF 50V J		C531	NCB31AK-334X	C CAPACITOR	0.33uF 10V K	
C10	NCB21AK-105X	C CAPACITOR	1uF 10V K		C532	NCB31AK-334X	C CAPACITOR	0.33uF 10V K	
C11	NCB31HK-103X	C CAPACITOR	0.01uF 50V K		C534	NCB31EK-332X	C CAPACITOR	3300pF 25V K	
C12	NCB31HK-103X	C CAPACITOR	0.01uF 50V K		C535	NCB31EK-104X	C CAPACITOR	0.1uF 25V K	
C13	NCB21AK-105X	C CAPACITOR	1uF 10V K		C536	QEKJ0JM-476Z	E CAPACITOR	47uF 6.3V M	
C14	NCB31AK-224X	C CAPACITOR	0.22uF 10V K		C537	QEKJ0JM-476Z	E CAPACITOR	47uF 6.3V M	
C15	NCB31CK-104X	C CAPACITOR	0.1uF 16V K		C539	NCB31EK-104X	C CAPACITOR	0.1uF 25V K	
C16	NCB31HK-103X	C CAPACITOR	0.01uF 50V K		C540	NDC31HJ-681X	C CAPACITOR	680pF 50V J	
C17	NCB31CK-104X	C CAPACITOR	0.1uF 16V K		C541	NCB31EK-153X	C CAPACITOR	0.015uF 25V K	
C18	NCB31HK-103X	C CAPACITOR	0.01uF 50V K		C542	NCB31EK-104X	C CAPACITOR	0.1uF 25V K	
C19	NCB31CK-104X	C CAPACITOR	0.1uF 16V K		C543	NCB31HK-102X	C CAPACITOR	1000pF 50V K	
C22	NDC31HJ-150X	C CAPACITOR	15pF 50V J		C544	NCB31EK-823X	C CAPACITOR	0.082uF 25V K	
C23	NCB31CK-104X	C CAPACITOR	0.1uF 16V K		C545	NCB31EK-104X	C CAPACITOR	0.1uF 25V K	
C24	NCB31HK-103X	C CAPACITOR	0.01uF 50V K		C547	QTE0J57-476Z	E CAPACITOR	47uF 6.3V	
C25	NCB31HK-103X	C CAPACITOR	0.01uF 50V K		C548	QTE0J57-476Z	E CAPACITOR	47uF 6.3V	
C26	QEKJ1CM-476Z	E CAPACITOR	47uF 16V M		C549	NCB31EK-104X	C CAPACITOR	0.1uF 25V K	
C120	NCB31CK-104X	C CAPACITOR	0.1uF 16V K		C551	NCB31EK-104X	C CAPACITOR	0.1uF 25V K	
C161	NCB31CK-104X	C CAPACITOR	0.1uF 16V K		C552	QEKJ0JM-476Z	E CAPACITOR	47uF 6.3V M	
C162	QTE1H57-105Z	E CAPACITOR	1uF 50V	A,B,C,D,E,F, G,H,I,J,K L	C583	NDC31HJ-821X	C CAPACITOR	820pF 50V J	
C162	QTE1H64-225Z	E CAPACITOR	2.2uF 50V		C584	NDC31HJ-821X	C CAPACITOR	820pF 50V J	
C163	QTE1H57-105Z	E CAPACITOR	1uF 50V		C585	QTE1H64-225Z	E CAPACITOR	2.2uF 50V	A,B,C,D,E,F, G,H,I,J,K L
C164	NCB31AK-105X	C CAPACITOR	1uF 10V K		C585	QTE1H57-225Z	E CAPACITOR	2.2uF 50V	L
C165	NCB31HK-103X	C CAPACITOR	0.01uF 50V K		C586	QTE1H64-225Z	E CAPACITOR	2.2uF 50V	A,B,C,D,E,F, G,H,I,J,K L
C166	NCB31AK-105X	C CAPACITOR	1uF 10V K		C586	QTE1H57-225Z	E CAPACITOR	2.2uF 50V	L
C162	QTE1H64-225Z	E CAPACITOR	2.2uF 50V		C587	NDC31HJ-151X	C CAPACITOR	150pF 50V J	
C163	QTE1H57-105Z	E CAPACITOR	1uF 50V		C588	NDC31HJ-151X	C CAPACITOR	150pF 50V J	
C164	NCB31AK-105X	C CAPACITOR	1uF 10V K		C590	QTE0J57-476Z	E CAPACITOR	47uF 6.3V	
C165	NCB31HK-103X	C CAPACITOR	0.01uF 50V K		C591	QTE1A57-107Z	E CAPACITOR	100uF 10V	
C166	NCB31AK-105X	C CAPACITOR	1uF 10V K		C592	NCB31EK-104X	C CAPACITOR	0.1uF 25V K	

△ Symbol No.	Part No.	Part Name	Description	Local	△ Symbol No.	Part No.	Part Name	Description	Local
C703	NDC31HJ-200X	C CAPACITOR	20pF 50V J		R385	NRSA63J-223X	MG RESISTOR	22kΩ 1/16W J	A
C704	NDC31HJ-200X	C CAPACITOR	20pF 50V J		R386	NRSA63J-223X	MG RESISTOR	22kΩ 1/16W J	A
C706	NCB31EK-103X	C CAPACITOR	0.01uF 25V K		R387	NRSA63J-473X	MG RESISTOR	47kΩ 1/16W J	
C707	QEKJ1CM-107Z	E CAPACITOR	100uF 16V M		R388	NRS181J-333X	MG RESISTOR	33kΩ 1/8W J	A
C708	NCB31CK-104X	C CAPACITOR	0.1uF 16V K		R389	NRSA63J-333X	MG RESISTOR	33kΩ 1/16W J	A
C709	NCB31CK-104X	C CAPACITOR	0.1uF 16V K		R390	NRSA63J-104X	MG RESISTOR	100kΩ 1/16W J	A
C710	NDC31HJ-101X	C CAPACITOR	100pF 50V J	A	R500	NRS181J-220X	MG RESISTOR	22Ω 1/8W J	
C711	QEKJ0JM-476Z	E CAPACITOR	47uF 6.3V M		R501	NRSA63J-822X	MG RESISTOR	8.2kΩ 1/16W J	
C714	NCB31CK-104X	C CAPACITOR	0.1uF 16V K		R502	NRSA63J-822X	MG RESISTOR	8.2kΩ 1/16W J	
C715	NCB31CK-104X	C CAPACITOR	0.1uF 16V K		R503	NRSA63J-512X	MG RESISTOR	5.1kΩ 1/16W J	
C717	NCB31CK-104X	C CAPACITOR	0.1uF 16V K		R504	NRSA63J-822X	MG RESISTOR	8.2kΩ 1/16W J	
C718	NCB31CK-104X	C CAPACITOR	0.1uF 16V K		R505	NRSA63J-822X	MG RESISTOR	8.2kΩ 1/16W J	
C719	QEKJ1CM-476Z	E CAPACITOR	47uF 16V M		R506	NRSA63J-393X	MG RESISTOR	39kΩ 1/16W J	
C720	NCB31AK-474X	C CAPACITOR	0.47uF 10V K		R507	NRSA63J-203X	MG RESISTOR	20kΩ 1/16W J	
C721	NCB31CK-104X	C CAPACITOR	0.1uF 16V K		R508	NRS181J-682X	MG RESISTOR	6.8kΩ 1/8W J	
C722	QEKJ1HM-475Z	E CAPACITOR	4.7uF 50V M		R509	NRSA63J-683X	MG RESISTOR	68kΩ 1/16W J	
C741	NDC31HJ-680X	C CAPACITOR	68pF 50V J		R510	NRSA63J-273X	MG RESISTOR	27kΩ 1/16W J	
C781	QEKJ1CM-476Z	E CAPACITOR	47uF 16V M		R511	NRS181J-153X	MG RESISTOR	15kΩ 1/8W J	
C784	QEKJ1CM-107Z	E CAPACITOR	100uF 16V M		R512	NRS181J-562X	MG RESISTOR	5.6kΩ 1/8W J	
C785	QEKJ0JM-107Z	E CAPACITOR	100uF 6.3V M		R513	NRS181J-103X	MG RESISTOR	10kΩ 1/8W J	
C801	NCB31EK-473X	C CAPACITOR	0.047uF 25V K		R514	NRS181J-562X	MG RESISTOR	5.6kΩ 1/8W J	
C852	NCB31CK-224X	C CAPACITOR	0.22uF 16V K	C,D,E,F,G,H,I ,J,K	R515	NRSA63J-153X	MG RESISTOR	15kΩ 1/16W J	
C901	QEZ0870-278	E CAPACITOR	2700uF		R516	NRSA63J-102X	MG RESISTOR	1kΩ 1/16W J	
C903	QEKJ1CM-476Z	E CAPACITOR	47uF 16V M		R517	NRS181J-153X	MG RESISTOR	15kΩ 1/8W J	
C904	NCB31HK-104X	C CAPACITOR	0.1uF 50V K		R518	NRSA63J-562X	MG RESISTOR	5.6kΩ 1/16W J	
C905	QEKJ1CM-476Z	E CAPACITOR	47uF 16V M		R519	NRSA63J-203X	MG RESISTOR	20kΩ 1/16W J	
C906	NCB31HK-103X	C CAPACITOR	0.01uF 50V K		R520	NRS181J-220X	MG RESISTOR	22Ω 1/8W J	
C908	QEKJ1CM-476Z	E CAPACITOR	47uF 16V M		R521	NRSA63J-105X	MG RESISTOR	1MΩ 1/16W J	
C909	QEKJ0JM-476Z	E CAPACITOR	47uF 6.3V M		R522	NRSA63J-221X	MG RESISTOR	220Ω 1/16W J	
C912	NCB31HK-103X	C CAPACITOR	0.01uF 50V K		R524	NRS181J-103X	MG RESISTOR	10kΩ 1/8W J	
C916	NCB31HK-103X	C CAPACITOR	0.01uF 50V K		R525	NRSA63J-101X	MG RESISTOR	100Ω 1/16W J	
C971	NCB31EK-104X	C CAPACITOR	0.1uF 25V K		R526	NRSA63J-101X	MG RESISTOR	100Ω 1/16W J	
C982	NCB31EK-104X	C CAPACITOR	0.1uF 25V K		R527	NRS181J-101X	MG RESISTOR	100Ω 1/8W J	
C984	NCB21AK-225X	C CAPACITOR	2.2uF 10V K		R528	NRSA63J-101X	MG RESISTOR	100Ω 1/16W J	
R1	NRSA63J-474X	MG RESISTOR	470kΩ 1/16W J		R529	NRSA63J-101X	MG RESISTOR	100Ω 1/16W J	
R2	NRSA63J-474X	MG RESISTOR	470kΩ 1/16W J		R535	NRSA63J-103X	MG RESISTOR	10kΩ 1/16W J	
R4	NRSA63J-472X	MG RESISTOR	4.7kΩ 1/16W J		R536	NRSA63J-822X	MG RESISTOR	8.2kΩ 1/16W J	
R5	NRS181J-220X	MG RESISTOR	22Ω 1/8W J		R537	NRSA63J-153X	MG RESISTOR	15kΩ 1/16W J	
R6	NRSA63J-101X	MG RESISTOR	100Ω 1/16W J		R538	NRSA63J-103X	MG RESISTOR	10kΩ 1/16W J	
R7	NRSA63J-101X	MG RESISTOR	100Ω 1/16W J		R540	NRSA63J-303X	MG RESISTOR	30kΩ 1/16W J	
R10	NRSA63J-0R0X	MG RESISTOR	0Ω 1/10W J		R541	NRSA63J-393X	MG RESISTOR	39kΩ 1/16W J	
R11	NRS181J-4R7X	MG RESISTOR	4.7Ω 1/8W J		R542	NRSA63J-472X	MG RESISTOR	4.7kΩ 1/16W J	
R16	NRSA63J-472X	MG RESISTOR	4.7kΩ 1/16W J		R543	NRS181J-102X	MG RESISTOR	1kΩ 1/8W J	
R17	NRSA63J-472X	MG RESISTOR	4.7kΩ 1/16W J		R544	NRSA63J-102X	MG RESISTOR	1kΩ 1/16W J	
R81	NRSA63J-752X	MG RESISTOR	7.5kΩ 1/16W J	A,B,L	R545	NRSA63J-332X	MG RESISTOR	3.3kΩ 1/16W J	
R81	NRSA63J-682X	MG RESISTOR	6.8kΩ 1/16W J	C,D,E,F,G,H,I ,J,K	R546	NRSA63J-822X	MG RESISTOR	8.2kΩ 1/16W J	
R82	NRSA63J-392X	MG RESISTOR	3.9kΩ 1/16W J	A,B,L	R547	NRSA63J-822X	MG RESISTOR	8.2kΩ 1/16W J	
R82	NRSA63J-822X	MG RESISTOR	8.2kΩ 1/16W J	C,D,E,F,G,H,I ,J,K	R548	NRSA63J-332X	MG RESISTOR	3.3kΩ 1/16W J	
R91	NRSA63J-752X	MG RESISTOR	7.5kΩ 1/16W J	A,B,L	R549	NRS181J-562X	MG RESISTOR	5.6kΩ 1/8W J	
R91	NRSA63J-682X	MG RESISTOR	6.8kΩ 1/16W J	C,D,E,F,G,H,I ,J,K	R554	NRSA63J-4R7X	MG RESISTOR	4.7Ω 1/16W J	
R92	NRSA63J-392X	MG RESISTOR	3.9kΩ 1/16W J	A,B,L	R556	NRSA63J-473X	MG RESISTOR	47kΩ 1/16W J	
R92	NRSA63J-822X	MG RESISTOR	8.2kΩ 1/16W J	C,D,E,F,G,H,I ,J,K	R558	NRSA63J-823X	MG RESISTOR	82kΩ 1/16W J	
R122	NRSA63J-471X	MG RESISTOR	470Ω 1/16W J		R559	NRSA63J-821X	MG RESISTOR	820Ω 1/16W J	
R161	NRSA63J-473X	MG RESISTOR	47kΩ 1/16W J		R565	NRSA63J-151X	MG RESISTOR	150Ω 1/16W J	
R162	NRSA63J-473X	MG RESISTOR	47kΩ 1/16W J		R566	NRS181J-100X	MG RESISTOR	10Ω 1/8W J	
R163	NRSA63J-222X	MG RESISTOR	2.2kΩ 1/16W J		R583	NRSA63J-153X	MG RESISTOR	15kΩ 1/16W J	
R164	NRSA63J-101X	MG RESISTOR	100Ω 1/16W J		R584	NRSA63J-153X	MG RESISTOR	15kΩ 1/16W J	
R165	NRSA63J-101X	MG RESISTOR	100Ω 1/16W J		R585	NRSA63J-562X	MG RESISTOR	5.6kΩ 1/16W J	
R166	NRS181J-224X	MG RESISTOR	220kΩ 1/8W J		R586	NRSA63J-562X	MG RESISTOR	5.6kΩ 1/16W J	
R174	NRSA63J-472X	MG RESISTOR	4.7kΩ 1/16W J		R587	NRSA63J-273X	MG RESISTOR	27kΩ 1/16W J	
R175	NRSA63J-472X	MG RESISTOR	4.7kΩ 1/16W J		R588	NRSA63J-273X	MG RESISTOR	27kΩ 1/16W J	
R303	NRS181J-100X	MG RESISTOR	10Ω 1/8W J		R591	NRSA63J-103X	MG RESISTOR	10kΩ 1/16W J	
R305	NRSA63J-102X	MG RESISTOR	1kΩ 1/16W J		R592	NRSA63J-103X	MG RESISTOR	10kΩ 1/16W J	
R342	NRSA63J-821X	MG RESISTOR	820Ω 1/16W J		R593	NRS181J-223X	MG RESISTOR	22kΩ 1/8W J	
R343	NRSA63J-101X	MG RESISTOR	100Ω 1/16W J		R594	NRSA63J-223X	MG RESISTOR	22kΩ 1/16W J	
R344	NRSA63J-222X	MG RESISTOR	2.2kΩ 1/16W J		R701	NRSA63J-103X	MG RESISTOR	10kΩ 1/16W J	
R352	NRSA63J-821X	MG RESISTOR	820Ω 1/16W J		R702	NRSA63J-103X	MG RESISTOR	10kΩ 1/16W J	
R353	NRSA63J-101X	MG RESISTOR	100Ω 1/16W J		R703	NRSA63J-104X	MG RESISTOR	100kΩ 1/16W J	
R354	NRSA63J-222X	MG RESISTOR	2.2kΩ 1/16W J		R704	NRSA63J-104X	MG RESISTOR	100kΩ 1/16W J	
R381	NRSA63J-102X	MG RESISTOR	1kΩ 1/16W J	A	R706	NRSA63J-472X	MG RESISTOR	4.7kΩ 1/16W J	
R382	NRSA63J-102X	MG RESISTOR	1kΩ 1/16W J	A	R707	NRSA63J-472X	MG RESISTOR	4.7kΩ 1/16W J	
R383	NRSA63J-473X	MG RESISTOR	47kΩ 1/16W J		R708	NRSA63J-104X	MG RESISTOR	100kΩ 1/16W J	C,D,E,F,G,H,I ,J,K
R384	NRSA63J-104X	MG RESISTOR	100kΩ 1/16W J	A	R709	NRSA63J-473X	MG RESISTOR	47kΩ 1/16W J	A,B,L
					R712	NRSA63J-0R0X	MG RESISTOR	0Ω 1/10W J	
					R714	NRSA63J-0R0X	MG RESISTOR	0Ω 1/10W J	
					R716	NRS181J-102X	MG RESISTOR	1kΩ 1/8W J	
					R717	NRSA63J-102X	MG RESISTOR	1kΩ 1/16W J	

Symbol No.	Part No.	Part Name	Description	Local
R718	NRSA63J-102X	MG RESISTOR	1kΩ 1/16W J	
R719	NRSA63J-102X	MG RESISTOR	1kΩ 1/16W J	
R720	NRSA63J-102X	MG RESISTOR	1kΩ 1/16W J	
R721	NRSA63J-102X	MG RESISTOR	1kΩ 1/16W J	
R723	NRSA63J-103X	MG RESISTOR	10kΩ 1/16W J	
R726	NRSA63J-273X	MG RESISTOR	27kΩ 1/16W J	
R727	NRSA63J-222X	MG RESISTOR	2.2kΩ 1/16W J	
R731	NRS181J-104X	MG RESISTOR	100kΩ 1/8W J	
R732	NRSA63J-472X	MG RESISTOR	4.7kΩ 1/16W J	
R733	NRSA63J-101X	MG RESISTOR	100Ω 1/16W J	
R734	NRSA63J-472X	MG RESISTOR	4.7kΩ 1/16W J	
R735	NRS181J-472X	MG RESISTOR	4.7kΩ 1/8W J	
R736	NRSA63J-561X	MG RESISTOR	560Ω 1/16W J	
R737	NRSA63J-561X	MG RESISTOR	560Ω 1/16W J	
R738	NRSA63J-561X	MG RESISTOR	560Ω 1/16W J	
R739	NRSA63J-561X	MG RESISTOR	560Ω 1/16W J	
R740	NRS181J-104X	MG RESISTOR	100kΩ 1/8W J	
R746	NRSA63J-104X	MG RESISTOR	100kΩ 1/16W J	
R747	NRSA63J-103X	MG RESISTOR	10kΩ 1/16W J	
R752	NRSA63J-472X	MG RESISTOR	4.7kΩ 1/16W J	
R753	NRSA63J-472X	MG RESISTOR	4.7kΩ 1/16W J	
R754	NRSA63J-202X	MG RESISTOR	2kΩ 1/16W J	
R755	NRSA63J-472X	MG RESISTOR	4.7kΩ 1/16W J	
R756	NRSA63J-472X	MG RESISTOR	4.7kΩ 1/16W J	
R758	NRSA63J-473X	MG RESISTOR	47kΩ 1/16W J	
R759	NRS181J-222X	MG RESISTOR	2.2kΩ 1/8W J	
R770	NRSA63J-222X	MG RESISTOR	2.2kΩ 1/16W J	A
R770	NRSA63J-0R0X	MG RESISTOR	0Ω 1/10W J	B,C,D,E,F,G, H,I,J,K,L
R773	NRSA63J-223X	MG RESISTOR	22kΩ 1/16W J	A
R773	NRSA63J-473X	MG RESISTOR	47kΩ 1/16W J	B,C,D,E,F,G, H,I,J,K,L
R774	NRSA63J-473X	MG RESISTOR	47kΩ 1/16W J	
R775	NRSA63J-222X	MG RESISTOR	2.2kΩ 1/16W J	
R779	NRSA63J-101X	MG RESISTOR	100Ω 1/16W J	
R781	NRSA63J-473X	MG RESISTOR	47kΩ 1/16W J	
R782	NRSA63J-472X	MG RESISTOR	4.7kΩ 1/16W J	
R783	NRSA63J-103X	MG RESISTOR	10kΩ 1/16W J	
R784	NRSA63J-0R0X	MG RESISTOR	0Ω 1/10W J	
R802	NRSA63J-104X	MG RESISTOR	100kΩ 1/16W J	
R803	NRS181J-682X	MG RESISTOR	6.8kΩ 1/8W J	
R804	NRSA63J-392X	MG RESISTOR	3.9kΩ 1/16W J	
R807	NRSA63J-104X	MG RESISTOR	100kΩ 1/16W J	
R808	NRSA63J-101X	MG RESISTOR	100Ω 1/16W J	
R809	NRSA63J-473X	MG RESISTOR	47kΩ 1/16W J	
R810	NRSA63J-392X	MG RESISTOR	3.9kΩ 1/16W J	
R811	NRSA63J-682X	MG RESISTOR	6.8kΩ 1/16W J	
R812	NRSA63J-104X	MG RESISTOR	100kΩ 1/16W J	
R814	NRSA63J-101X	MG RESISTOR	100Ω 1/16W J	
R819	NRSA63J-473X	MG RESISTOR	47kΩ 1/16W J	
R851	NRSA63J-472X	MG RESISTOR	4.7kΩ 1/16W J	C,D,E,F,G,H,I J,K
R901	QRE141J-103Y	C RESISTOR	10kΩ 1/4W J	
R902	NRSA02J-0R0X	MG RESISTOR	0Ω 1/10W J	
R903	NRS181J-472X	MG RESISTOR	4.7kΩ 1/8W J	
R905	NRSA02J-102X	MG RESISTOR	1kΩ 1/10W J	C,D,E,F,G,H,I J,K
R906	NRSA63J-473X	MG RESISTOR	47kΩ 1/16W J	C,D,E,F,G,H,I J,K
R971	NRS181J-332X	MG RESISTOR	3.3kΩ 1/8W J	
R976	NRSA02J-273X	MG RESISTOR	27kΩ 1/10W J	
R977	NRSA02J-123X	MG RESISTOR	12kΩ 1/10W J	
L1	NQL093K-R47X	COIL	0.47uH K	
L2	NQL093K-1R8X	COIL	1.8uH K	
L3	QQL213M-R22Z	COIL	0.22uH M	
L4	QQR1813-001	COIL		
L5	QQL244J-561Z	COIL	560uH J	
L6	QQL244J-561Z	COIL	560uH J	
L7	QQL244K-4R7Z	COIL	4.7uH K	
L8	QQL244K-4R7Z	COIL	4.7uH K	
L120	NQR0007-002X	FERRITE BEADS		
L121	NQR0007-002X	FERRITE BEADS		
L122	NQR0007-002X	FERRITE BEADS		
L701	QQL244K-4R7Z	COIL	4.7uH K	
L702	QQL244K-4R7Z	COIL	4.7uH K	
L901	QQR1852-001	CHOKE COIL		
L901	or QQR0703-001	CHOKE COIL		

Symbol No.	Part No.	Part Name	Description	Local
CN501	QGB2027MD-26	CONNECTOR	B-B (1-26)	
CN701	QGZ1601J1-15	CONNECTOR	(1-15)	
CN901	QNZ0607-001	CAR CONNECTOR		
J1	QNB0190-001	ANT TERMINAL		
J321	QNN0832-001	PIN JACK		A
J321	QNN0802-001	PIN JACK		B,C,D,E,F,G, H,I,J,K,L A
J702	QNS0283-001	STEERING REMOTE		A
J801	QNZ0095-001	CONNECTOR		
S701	QSW0648-001Z	TACT SWITCH		
X1	QAX0928-001Z	CRYSTAL		
X521	QAX0930-001Z	CRYSTAL		
X701	QAX0667-001Z	C RESONATOR	8.000MHz	
X702	QAX0401-001	CRYSTAL	32.768KHz	

Switch board

Block No. [0][5]

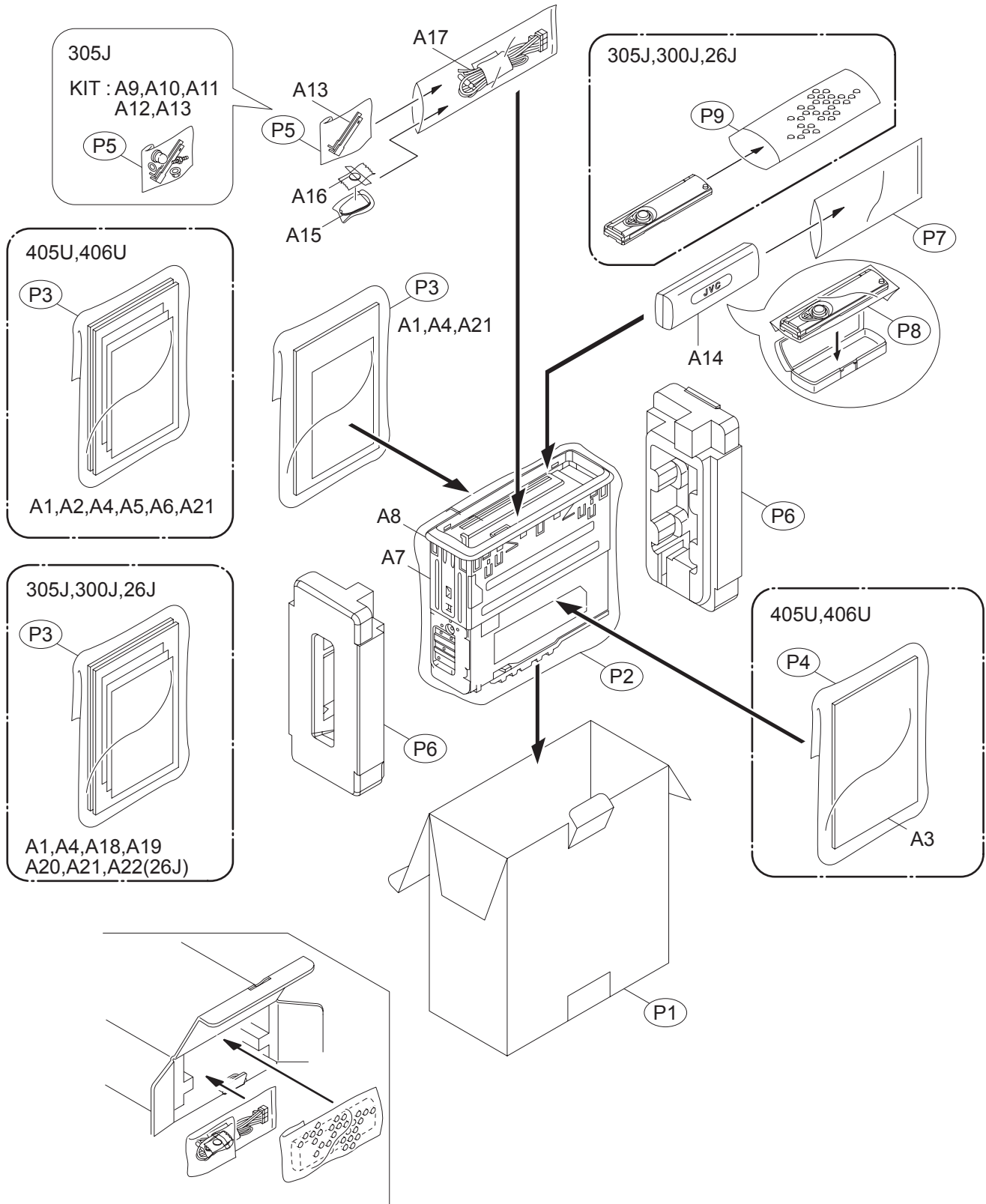
Symbol No.	Part No.	Part Name	Description	Local
IC601	NCP5623DTBR2G-X	IC		
IC661	PTC6526LQ-L	IC		
IC681	NJL29H380A	REMOCON RCV		A,B,C,D,E,F, G,H,I,J,K L
IC681	KSM-2003TN2M	REMOCON RCV		L
Q601	2SC3928A/QR/-X	TRANSISTOR		
Q601	or 2SC5845-X	TRANSISTOR		
Q602	UNR9211G-X	TRANSISTOR		
Q602	or DTC114EEB-X	TRANSISTOR		
Q604	2SA2174G-X	TRANSISTOR		
Q604	or 2SA1774/QR/-X	TRANSISTOR		
Q605	UN2222-X	IC		
Q605	or DTD143EK-X	TRANSISTOR		
Q607	2SA2174G-X	TRANSISTOR		
Q607	or 2SA1774/QR/-X	TRANSISTOR		
Q608	UN2222-X	IC		
Q608	or DTD143EK-X	TRANSISTOR		
Q610	2SA2174G-X	TRANSISTOR		
Q610	or 2SA1774/QR/-X	TRANSISTOR		
Q611	UN2222-X	IC		
Q611	or DTD143EK-X	TRANSISTOR		
D601	NSSM065T-X	LED		
D602	NSSM065T-X	LED		
D604	NSSM065T-X	LED		
D605	NSSM065T-X	LED		
D630	LHQ974/LM/-X	LED		
D631	LHQ974/LM/-X	LED		
D632	LHQ974/LM/-X	LED		
D650	MA8056/M/-X	Z DIODE		
D650	or UDZW5.6B-X	Z DIODE		
D661	MA111-X	SI DIODE		
D661	or 1SS355W-X	DIODE		
C604	NCB31CK-105X	C CAPACITOR	1uF 16V K	
C650	NCB31CK-104X	C CAPACITOR	0.1uF 16V K	
C651	NBE21CM-106X	TA E CAPACITOR	10uF 16V M	
C661	NCB31CK-105X	C CAPACITOR	1uF 16V K	
C662	NDC31HJ-151X	C CAPACITOR	150pF 50V J	
C663	NCB31CK-223X	C CAPACITOR	0.022uF 16V K	
C665	NCB31CK-104X	C CAPACITOR	0.1uF 16V K	
C666	NCB31CK-104X	C CAPACITOR	0.1uF 16V K	
C682	NCB31EK-104X	C CAPACITOR	0.1uF 25V K	
R601	NRSA63J-821X	MG RESISTOR	820Ω 1/16W J	
R602	NRSA63J-821X	MG RESISTOR	820Ω 1/16W J	
R603	NRSA63J-122X	MG RESISTOR	1.2kΩ 1/16W J	
R604	NRSA63J-182X	MG RESISTOR	1.8kΩ 1/16W J	
R605	NRSA63J-272X	MG RESISTOR	2.7kΩ 1/16W J	
R607	NRSA63J-392X	MG RESISTOR	3.9kΩ 1/16W J	
R608	NRSA63J-821X	MG RESISTOR	820Ω 1/16W J	
R609	NRSA63J-821X	MG RESISTOR	820Ω 1/16W J	
R610	NRSA63J-122X	MG RESISTOR	1.2kΩ 1/16W J	

△ Symbol No.	Part No.	Part Name	Description	Local
R611	NRSA63J-182X	MG RESISTOR	1.8kΩ 1/16W J	
R612	NRSA63J-272X	MG RESISTOR	2.7kΩ 1/16W J	
R613	NRSA63J-103X	MG RESISTOR	10kΩ 1/16W J	
R614	NRSA63F-154X	MG RESISTOR	150kΩ 1/16W F	
R615	NRSA63J-101X	MG RESISTOR	100Ω 1/16W J	
R618	NRSA63J-101X	MG RESISTOR	100Ω 1/16W J	
R630	NRSA63J-271X	MG RESISTOR	270Ω 1/16W J	
R631	NRSA63J-471X	MG RESISTOR	470Ω 1/16W J	
R634	NRSA63J-561X	MG RESISTOR	560Ω 1/16W J	
R636	NRSA63J-222X	MG RESISTOR	2.2kΩ 1/16W J	
R637	NRSA63J-222X	MG RESISTOR	2.2kΩ 1/16W J	
R638	NRSA63J-222X	MG RESISTOR	2.2kΩ 1/16W J	
R644	NRSA63J-751X	MG RESISTOR	750Ω 1/16W J	
R645	NRSA63J-751X	MG RESISTOR	750Ω 1/16W J	
R646	NRSA63J-122X	MG RESISTOR	1.2kΩ 1/16W J	
R647	NRSA63J-122X	MG RESISTOR	1.2kΩ 1/16W J	
R648	NRSA63J-122X	MG RESISTOR	1.2kΩ 1/16W J	
R649	NRSA63J-162X	MG RESISTOR	1.6kΩ 1/16W J	
R651	NRSA63J-102X	MG RESISTOR	1kΩ 1/16W J	
R656	NRS181J-471X	MG RESISTOR	470Ω 1/8W J	
R657	NRS181J-471X	MG RESISTOR	470Ω 1/8W J	
R658	NRS181J-751X	MG RESISTOR	750Ω 1/8W J	
R660	NRS181J-394X	MG RESISTOR	390kΩ 1/8W J	
R661	NRSA63J-102X	MG RESISTOR	1kΩ 1/16W J	
R662	NRSA63J-102X	MG RESISTOR	1kΩ 1/16W J	
R663	NRSA63J-102X	MG RESISTOR	1kΩ 1/16W J	
R664	NRS181J-224X	MG RESISTOR	220kΩ 1/8W J	
R665	NRSA63J-101X	MG RESISTOR	100Ω 1/16W J	
R666	NRSA63J-101X	MG RESISTOR	100Ω 1/16W J	
R667	NRSA63J-101X	MG RESISTOR	100Ω 1/16W J	
R681	NRSA63J-471X	MG RESISTOR	470Ω 1/16W J	
R682	NRSA63J-102X	MG RESISTOR	1kΩ 1/16W J	
CJ601	QGZ1601K1-15S	CONNECTOR	(1-15)	
J601	QNS0215-001	3.5 JACK		A,B
J601	QNS0245-001	AUX JACK		C,D,E,F,G,H, I,J,K L
J601	QNS0280-001	3.5 JACK		L
JS686	QSW1231-002	ROTARY ENCODER		
S601	NSW0124-001X	TACT SW		
S602	NSW0316-001X	TACT SWITCH		
S603	NSW0316-001X	TACT SWITCH		
S604	NSW0316-001X	TACT SWITCH		
S605	NSW0316-001X	TACT SWITCH		
S606	NSW0316-001X	TACT SWITCH		
S607	NSW0316-001X	TACT SWITCH		
S608	NSW0316-001X	TACT SWITCH		
S609	NSW0316-001X	TACT SWITCH		
S610	NSW0316-001X	TACT SWITCH		
S611	NSW0316-001X	TACT SWITCH		

Packing materials and accessories parts list

Block No. M 3 M M

No additional / supplemental order of WARRANTY CARDS are available.



The parts without symbol number are not service.

Packing and Accessories

Block No. [M][3][M][M]

△ Symbol No.	Part No.	Part Name	Description	Local
A 1	GET0570-001A	INST BOOK	ENG FRE SPA	A,B
A 1	GET0572-001A	INST BOOK	ENG	C
A 1	GET0571-001A	INST BOOK	ENG THA	D,G,H,K
A 1	GET0571-004A	INST BOOK	ENG INA	E,I
A 1	GET0571-005A	INST BOOK	ENG CHI(TAIWAN)	F,J
A 1	GET0642-001A	INST BOOK	ENG FRE SPA	L
A 2	GET0571-003A	INST BOOK	RUS	D,H
A 3	GET0571-002A	INST BOOK	ARA KOR CHI(TAIWAN) PER	D,H
A 4	GET0570-002A	INSTALL MANUAL	ENG FRE SPA	A
A 4	GET0570-002B	INSTALL MANUAL	ENG FRE SPA	B
A 4	GET0572-002B	INSTALL MANUAL	ENG	C
A 4	GET0571-006B	INSTALL MANUAL	ENG THA	D,G,H,K
A 4	GET0571-009B	INSTALL MANUAL	ENG INA	E,I
A 4	GET0571-010B	INSTALL MANUAL	ENG CHI(TAIWAN)	F,J
A 4	GET0642-002A	INSTALL MANUAL	ENG FRE SPA	L
A 5	GET0571-007B	INSTALL MANUAL	ARA KOR CHI(TAIWAN) PER	D,H
A 6	GET0571-008B	INSTALL MANUAL	RUS	D,H
A 7	GE20137-003A	MOUNTING SLEEVE		A
A 7	GE20137-008A	MOUNTING SLEEVE		B,C,D,E,F,G,H,I,J,K,L
A 8	GE20235-001A	TRIM PLATE		A,B,H,I,J,K
A 8	GE20235-012A	TRIM PLATE		C,D,E,F,G
A 8	GE20235-014A	TRIM PLATE		L
A 9	VKZ4027-202	PLUG NUT		A
A 10	GE40426-002A	MOUNT BOLT		A
A 11	VKZ4328-003	LOCK NUT		A
A 12	QYWWS53A008ZA	WASHER	0mm/5.3mm x	A
A 13	GE40130-002A	HOOK	(x2)	
A 14	GE32320-001A	HARD CASE ASSY		C,D,E,F,G,H,I,J,K
A 15	RM-RK50C	REMOCON		A,B,C,D,E,F,H,I,J,L
A 15	RM-RK50I	REMOCON		G,K
A 16	-----	BATTERY		
A 17	QAM1142-001	16P CORD ASSY		A,B,L
A 17	QAM1145-001	16P CORD ASSY		C,D,E,F,G,H,I,J,K
A 18	-----	WARRANTY CARD	BT-52008-1	A,B,L
A 19	-----	WARRANTY CARD	BT-51029-3	A
A 19	-----	WARRANTY CARD	BT-51018-5	B
A 19	-----	WARRANTY CARD	BT-51018-6	L
A 20	BT-51044-1	REGIS. CARD		A,B,L
A 21	LVT1672-002A	INST SHEET		
A 22	GET0222-001A	TAG CAUTION SH		L
KIT	SRW-MA372	SCREW PARTS KIT	A9 A10 A11 A12 A13	A
P 1	GE33395-001A	CARTON		A
P 1	GE33398-003A	CARTON		B
P 1	GE33404-002A	CARTON		C
P 1	GE33401-002A	CARTON		D,E,F,G
P 1	GE33407-002A	CARTON		H,I,J,K
P 1	GE33873-001A	CARTON		L
P 2	QPC03004315PB	POLY BAG	30cm x 43cm	
P 3	FSPG4002-001	POLY BAG		A,B,C,E,F,G,I,J,K,L
P 3	FSPG4002-001	POLY BAG	(x2)	D,H
P 5	QPA00801205	POLY BAG	8cm x 12cm	
P 6	GE10247-001A	CUSHION		
P 7	QPA01003003	POLY BAG	10cm x 30cm	C,D,E,F,G,H,I,J,K
P 8	QPC01002515	POLY BAG	10cm x 25cm	C,D,E,F,G,H,I,J,K
P 9	GE40276-003A	AIR BUBBLE BAG		A,B,L

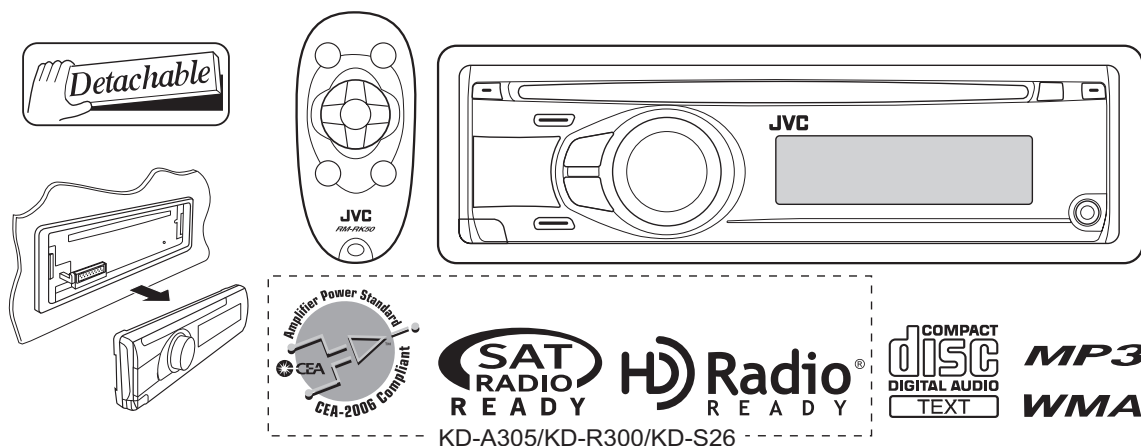
JVC

SCHEMATIC DIAGRAMS

CD RECEIVER

**KD-A305J, KD-R300J, KD-R404UI
KD-R405U, KD-R405UN, KD-R405UT
KD-R405UH, KD-R406U, KD-R406UN
KD-R406UT, KD-R406UH, KD-S26J**

DVD-ROM No.SML2009Q1



Lead free solder used in the board (material : Sn-Ag-Cu, melting point : 219 Centigrade)
Lead free solder used in the board (material : Sn-Cu, melting point : 230 Centigrade)

Contents

Block diagram	2-1
Standard schematic diagrams	2-2
Printed circuit boards	2-8 to 10

Safety precaution

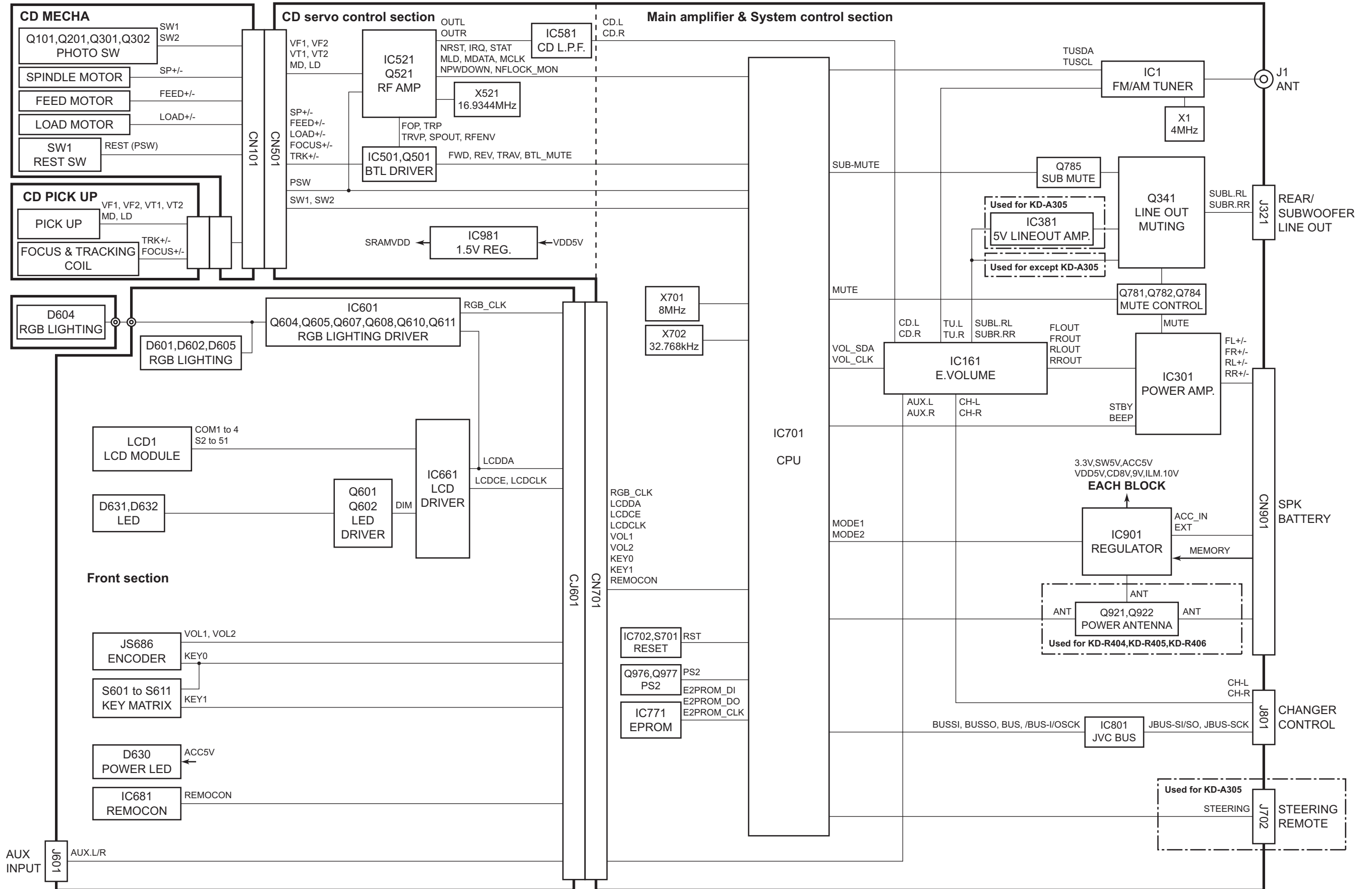


CAUTION Burrs formed during molding may be left over on some parts of the chassis. Therefore, pay attention to such burrs in the case of performing repair of this system.



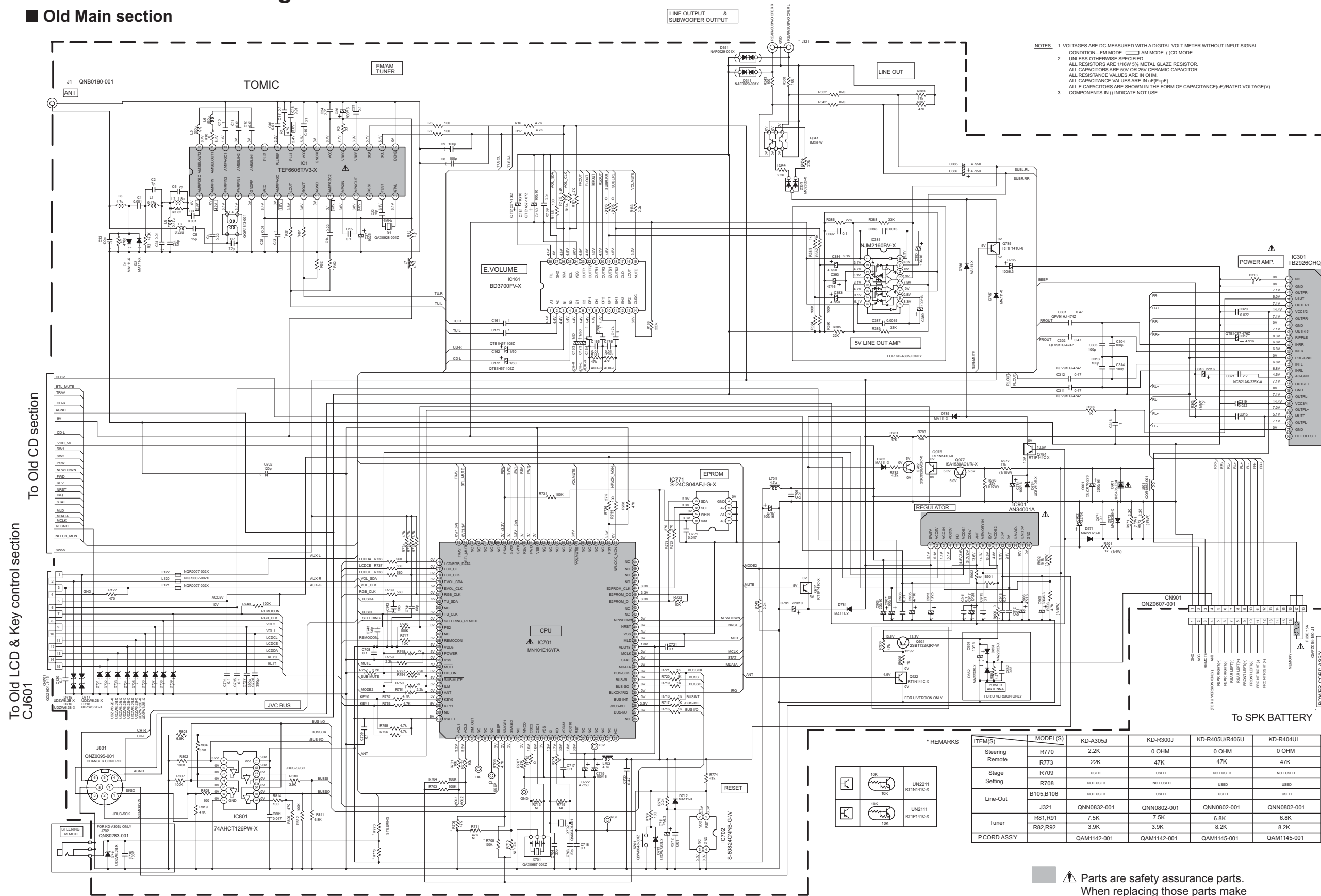
CAUTION Please use enough caution not to see the beam directly or touch it in case of an adjustment or operation check.

Block diagram



Standard schematic diagrams

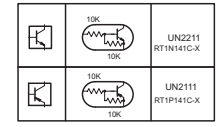
Old Main section



- NOTES
1. VOLTAGES ARE DC-MEASURED WITH A DIGITAL VOLT METER WITHOUT INPUT SIGNAL.
 2. UNLESS OTHERWISE SPECIFIED:
 ALL RESISTORS ARE 1/16W 5% METAL GLAZE RESISTOR.
 ALL CAPACITORS ARE 50V OR 25V CERAMIC CAPACITOR.
 ALL RESISTANCE VALUES ARE IN OHM.
 ALL CAPACITANCE VALUES ARE IN uF(P+PF).
 ALL E-CAPACITORS ARE SHOWN IN THE FORM OF CAPACITANCE(uF)/RATED VOLTAGE(V).
 3. COMPONENTS IN () INDICATE NOT USE.

* REMARKS

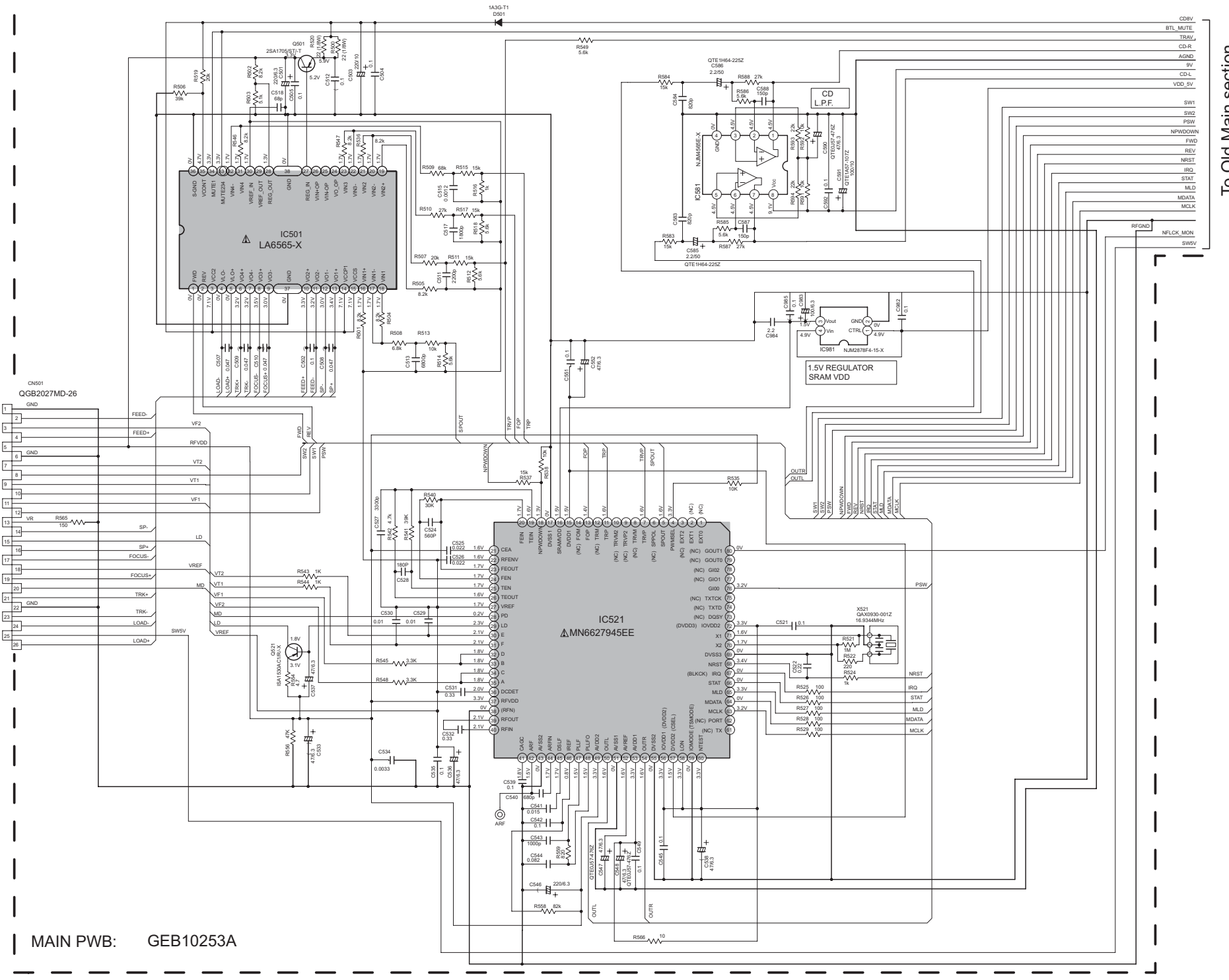
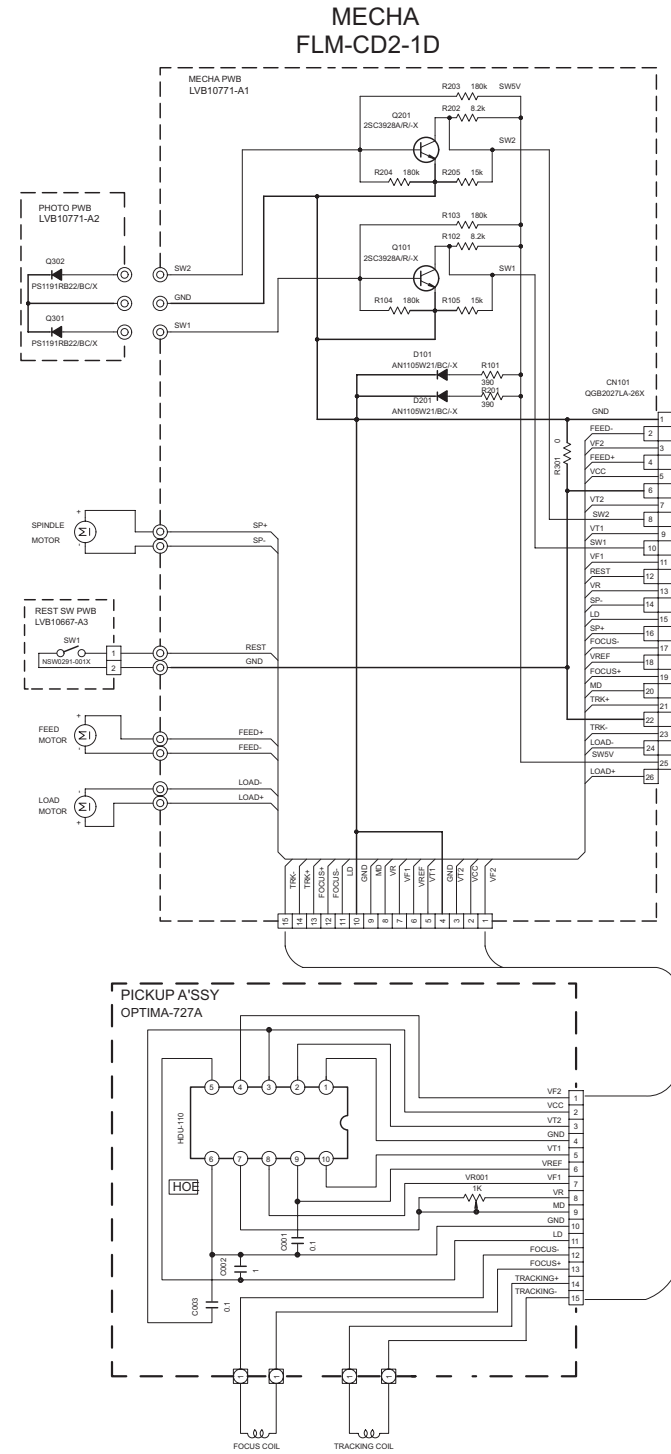
ITEM(S)	MODEL(S)	KD-A305J	KD-R300J	KD-R405UR406U	KD-R404UI
Steering Remote	R770	2.2K	0 OHM	0 OHM	0 OHM
Stage Setting	R709	USED	USED	NOT USED	NOT USED
Line-Out	B105,B106	NOT USED	NOT USED	USED	USED
Tuner	R81,R91	QNN0832-001	QNN0802-001	QNN0802-001	QNN0802-001
P.CORD ASSY	R82,R92	3.9K	3.9K	8.2K	8.2K
		QAM1142-001	QAM1142-001	QAM1145-001	QAM1145-001



Parts are safety assurance parts. When replacing those parts make sure to use the specified one.

MAIN PWB GEB10253A

Old CD section

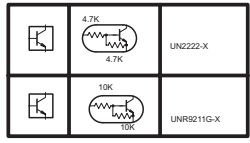
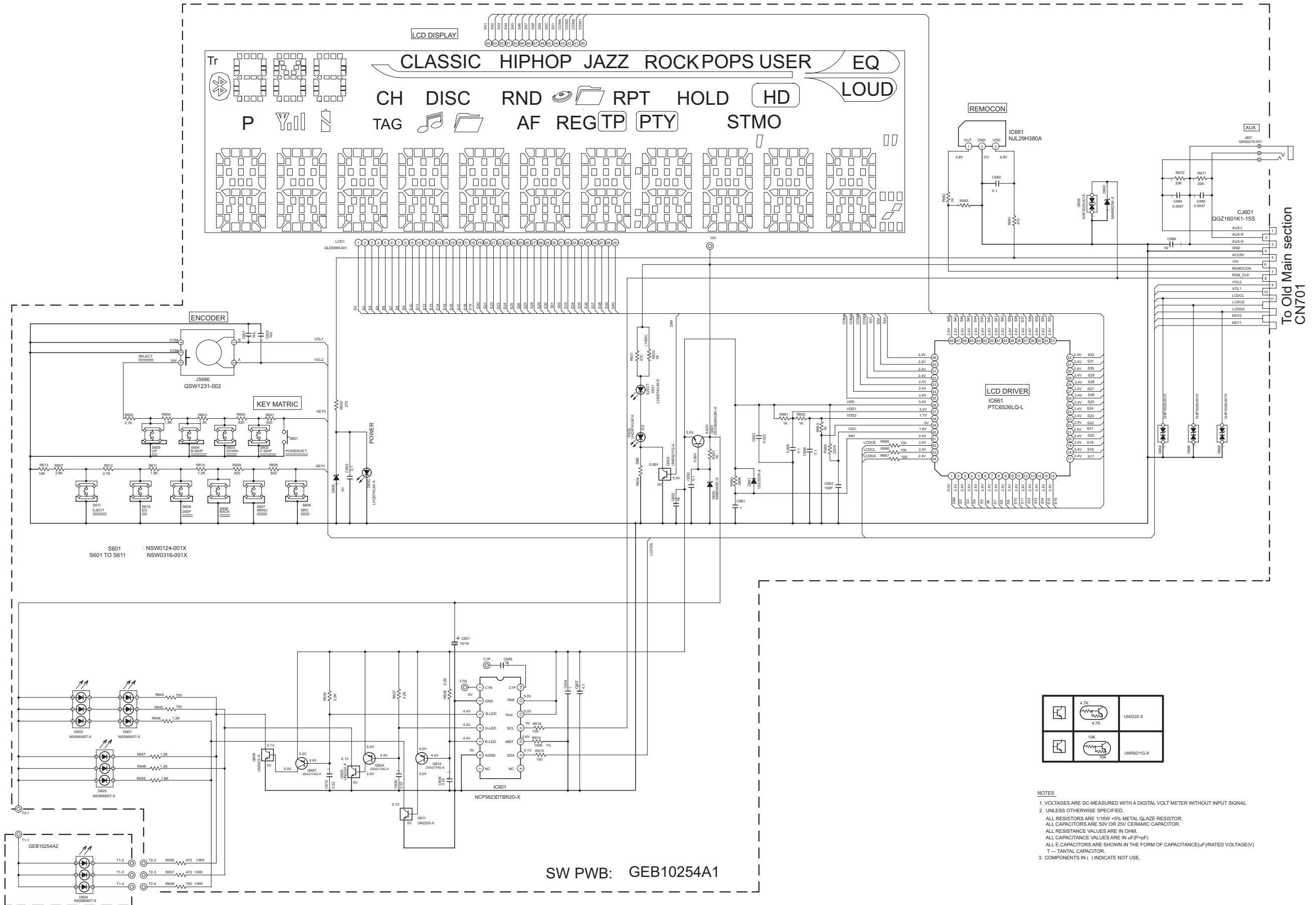


To Old Main section

NOTES:
 1. VOLTAGE ARE DC-MEASURED WITH A DIGITAL VOLT-METER WITHOUT INPUT SIGNAL CONDITION - CD MODE.
 2. UNLESS OTHERWISE SPECIFIED, ALL RESISTOR ARE 1/16W ±5% METAL GLAZE RESISTOR. ALL CAPACITOR ARE 50V OR 25V CERAMIC CAPACITOR. ALL RESISTANCE VALUES ARE IN OHM. ALL CAPACITANCE VALUES ARE IN pF(ppf). ALL INDUCTANCE VALUES ARE IN uH. ALL E. CAPACITORS ARE SHOWN IN THE FORM OF CAPACITANCE/(RATED VOLTAGE(V)).

⚠ Parts are safety assurance parts. When replacing those parts make sure to use the specified one.

Old LCD & Key control section

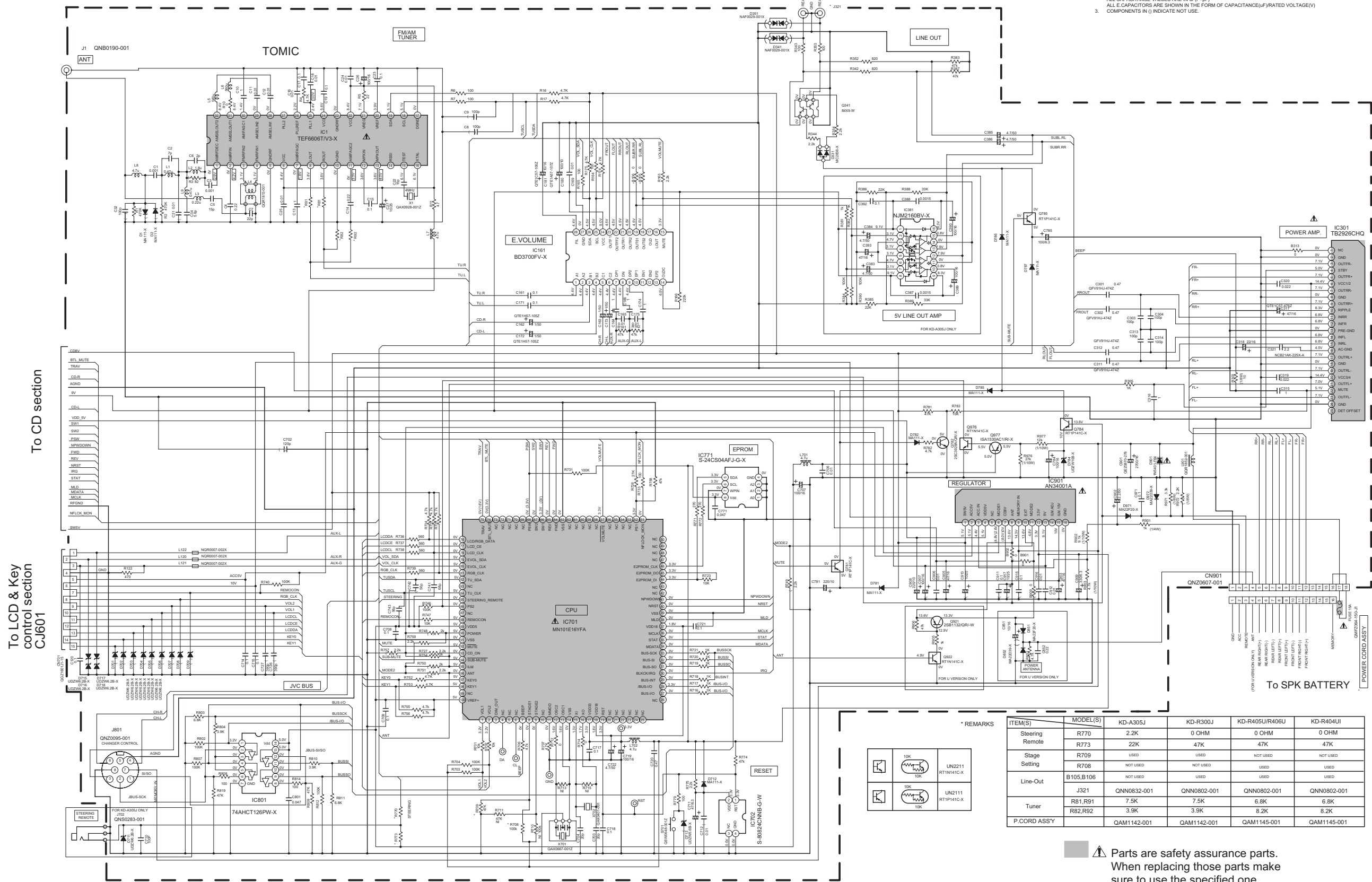


- NOTES
1. VOLTAGES ARE DC-MEASURED WITH A DIGITAL VOLT METER WITHOUT INPUT SIGNAL.
 2. UNLESS OTHERWISE SPECIFIED.
ALL RESISTORS ARE 1/16W +5% METAL GLAZE RESISTOR.
ALL CAPACITORS ARE 50V OR 25V CERAMIC CAPACITOR.
ALL RESISTANCE VALUES ARE IN OHM.
ALL CAPACITANCE VALUES ARE IN uF(pF)
ALL E CAPACITORS ARE SHOWN IN THE FORM OF CAPACITANCE(uF)/RATED VOLTAGE(V)
T — TANTALUM CAPACITOR.
 3. COMPONENTS IN () INDICATE NOT USE.

■ Main section

LINE OUTPUT & SUBWOOFER OUTPUT

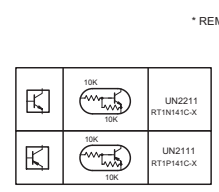
- NOTES
1. VOLTAGES ARE DC-MEASURED WITH A DIGITAL VOLT METER WITHOUT INPUT SIGNAL
CONDITION—FM MODE () AM MODE () CD MODE ()
 2. UNLESS OTHERWISE SPECIFIED
ALL RESISTORS ARE 1/16W 5% METAL GLAZE RESISTOR.
ALL CAPACITORS ARE 50V OR 25V CERAMIC CAPACITOR.
ALL RESISTANCE VALUES ARE IN OHM.
ALL CAPACITANCE VALUES ARE IN μF(PPF)
ALL E-CAPACITORS ARE SHOWN IN THE FORM OF CAPACITANCE(μF)/RATED VOLTAGE(V)
 3. COMPONENTS IN () INDICATE NOT USE.



To LCD & Key control section CJ601

To CD section

To SPK BATTERY

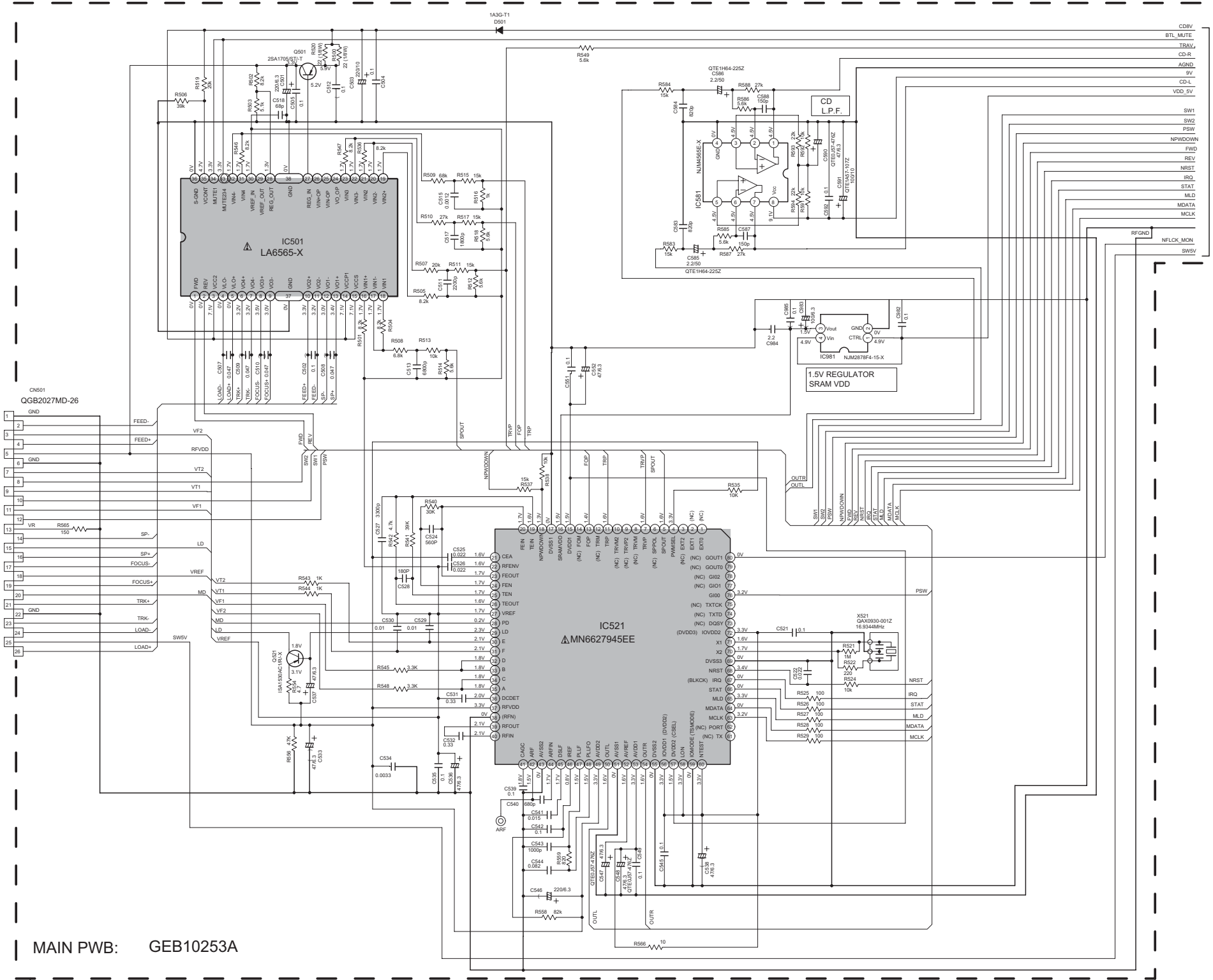
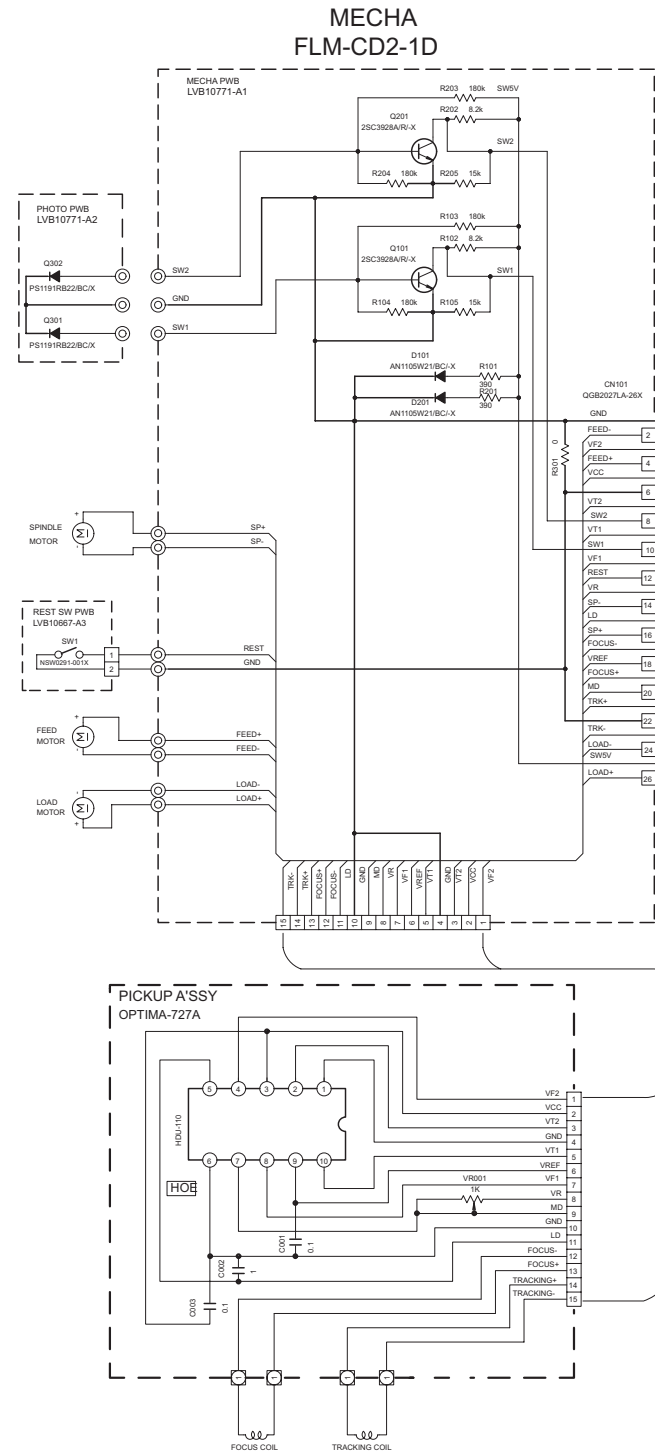


ITEM(S)	MODEL(S)	KD-A305J	KD-R300J	KD-R405U/R406U	KD-R404UI
Steering Remote	R770	2.2K	0 OHM	0 OHM	0 OHM
	R773	22K	47K	47K	47K
Stage Setting	R709	USED	USED	NOT USED	NOT USED
	R708	NOT USED	NOT USED	USED	USED
Line-Out	B105,B106	NOT USED	USED	USED	USED
	J321	QNN0832-001	QNN0802-001	QNN0802-001	QNN0802-001
Tuner	R81,R91	7.5K	7.5K	6.8K	6.8K
	R82,R92	3.9K	3.9K	8.2K	8.2K
P.CORD ASSY		QAM1142-001	QAM1142-001	QAM1145-001	QAM1145-001

Parts are safety assurance parts. When replacing those parts make sure to use the specified one.

MAIN PWB GEB10253A

CD section

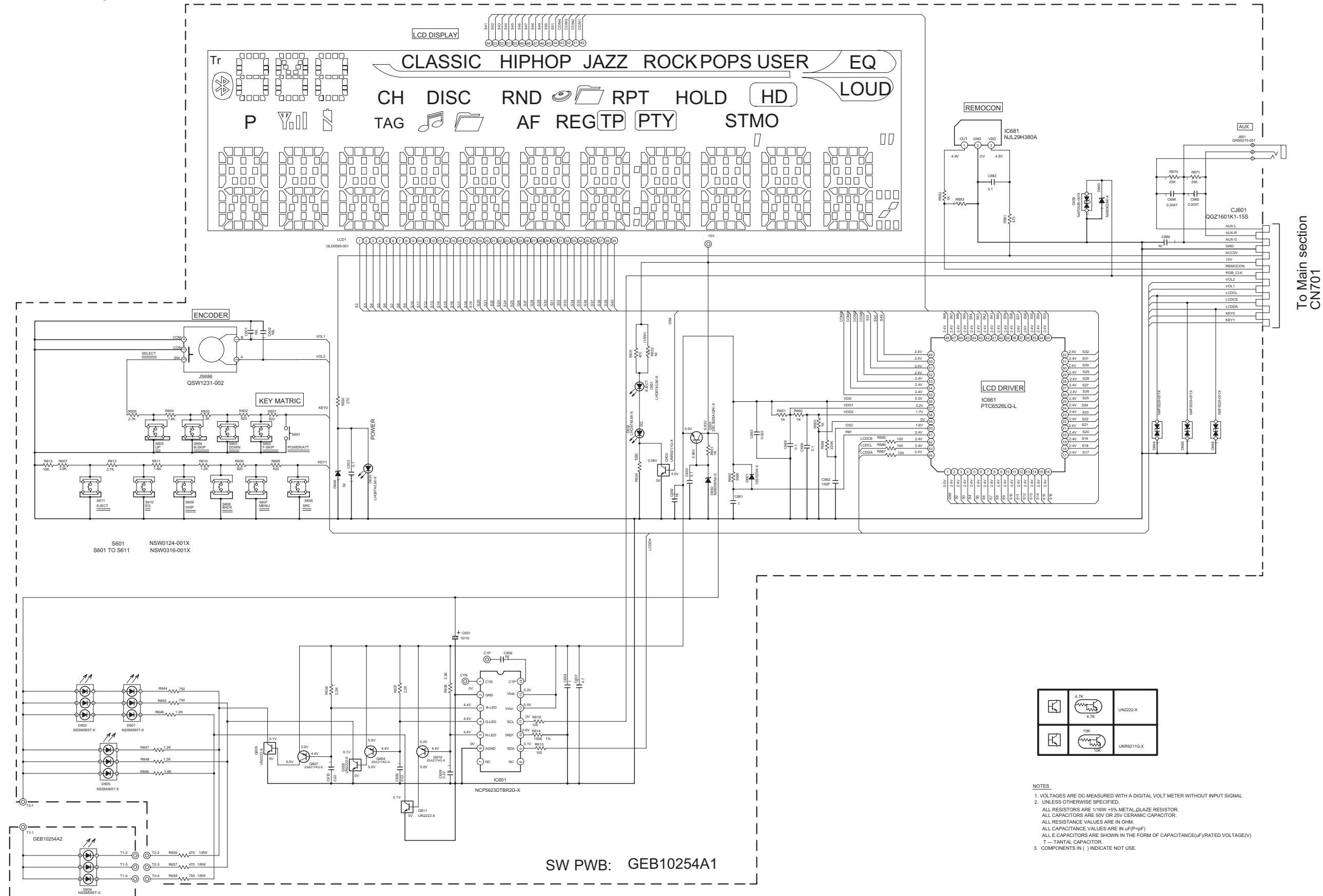


To Main section

NOTES:
 1. VOLTAGE ARE DC-MEASURED WITH A DIGITAL VOLTMETER WITHOUT INPUT SIGNAL CONDITION - CD MISC.
 2. UNLESS OTHERWISE SPECIFIED.
 ALL RESISTOR ARE 1/16W ±5%METAL GLAZE RESISTOR.
 ALL CAPACITOR ARE 50V OR 25V CERAMIC CAPACITOR.
 ALL RESISTANCE VALUES ARE IN OHM
 ALL CAPACITANCE VALUES ARE IN μF(pF).
 ALL INDUCTANCE VALUES ARE INμH
 ALL E. CAPACITORS ARE SHOWN IN THE FORM OF CAPACITANCE/(RATED VOLTAGE(V))

⚠ Parts are safety assurance parts. When replacing those parts make sure to use the specified one.

■ LCD & Key control section



To Main section
CN701

	4.7K		UN2222-X
	4.7K		UNR9211G-X
	10K		UNR9211G-X
	10K		UNR9211G-X

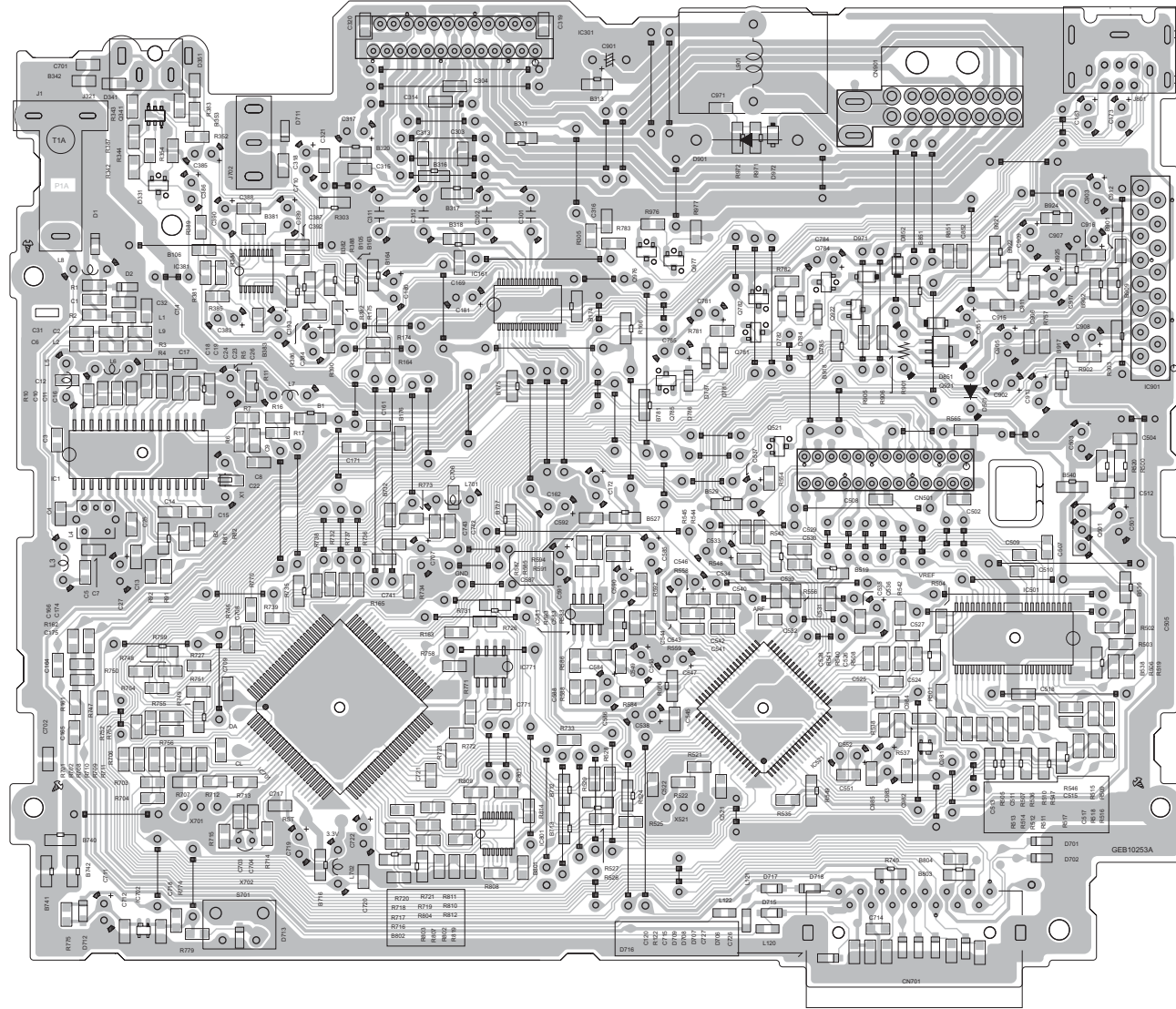
- NOTES
1. VOLTAGES ARE DC-MEASURED WITH A DIGITAL VOLT METER WITHOUT INPUT SIGNAL.
 2. UNLESS OTHERWISE SPECIFIED.
 3. ALL RESISTORS ARE 1/16W +5% METAL GLAZE RESISTOR.
 4. ALL CAPACITORS ARE 50V OR 25V CERAMIC CAPACITOR.
 5. ALL RESISTANCE VALUES ARE IN OHM.
 6. ALL CAPACITANCE VALUES ARE IN u(P)=PF.
 7. ALL E CAPACITORS ARE SHOWN IN THE FORM OF CAPACITANCE(uF)/RATED VOLTAGE(V).
 8. T - TANTALUM CAPACITOR.
 9. COMPONENTS IN () INDICATE NOT USE.

SW PWB: GEB10254A1

Printed circuit boards

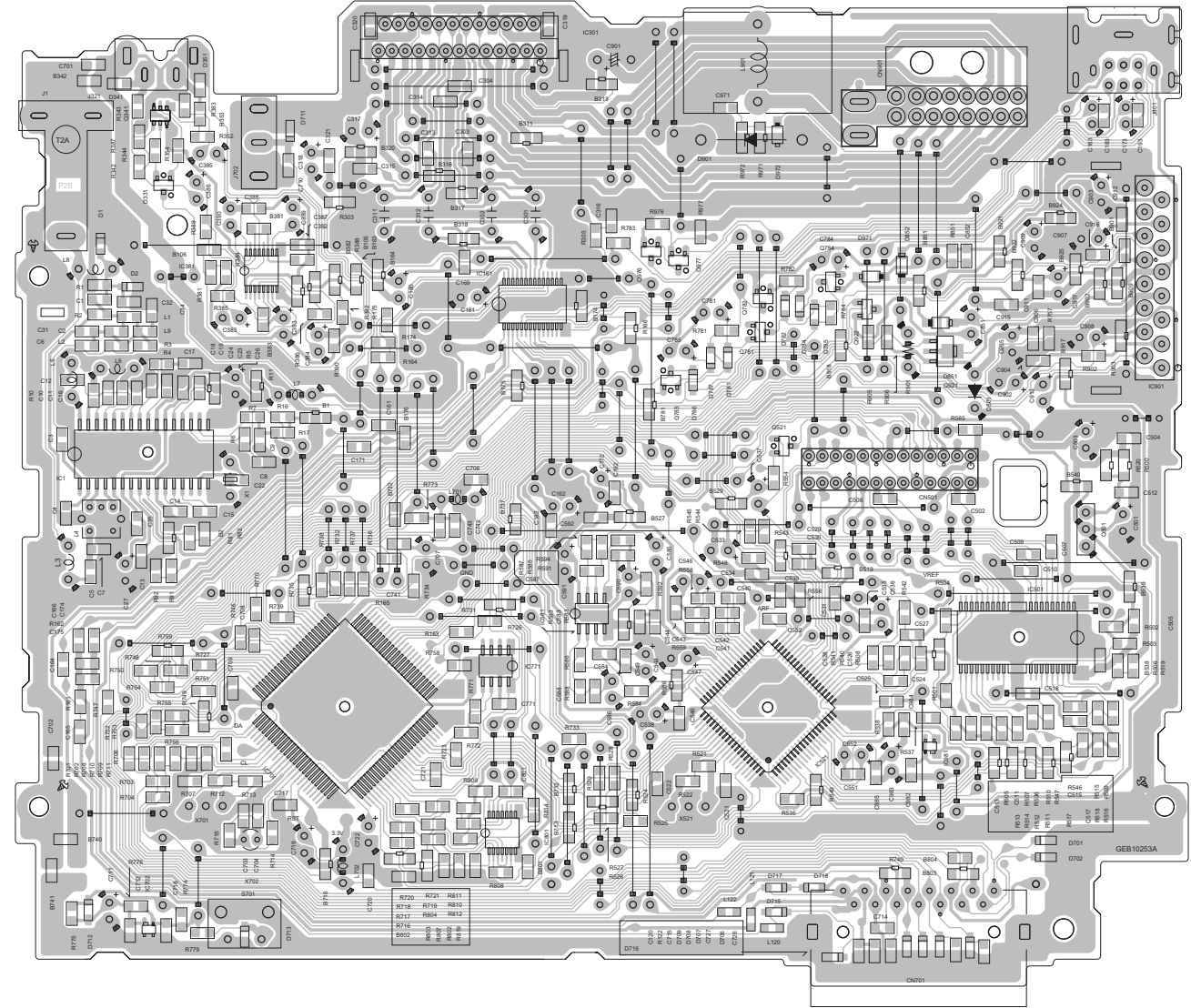
Old Main board

(Lead free solder used in the board (material : Sn-Ag-Cu, melting point : 219 Centigrade))
 (Lead free solder used in the board (material : Sn-Cu, melting point : 230 Centigrade))



Main board

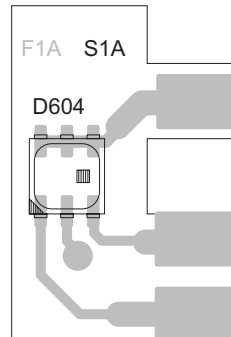
(Lead free solder used in the board (material : Sn-Ag-Cu, melting point : 219 Centigrade))
 (Lead free solder used in the board (material : Sn-Cu, melting point : 230 Centigrade))



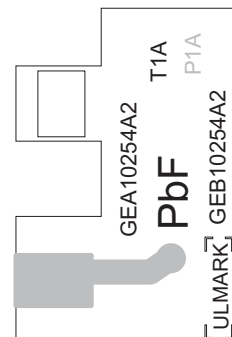
Old LED board

(Lead free solder used in the board (material : Sn-Ag-Cu, melting point : 219 Centigrade))
 (Lead free solder used in the board (material : Sn-Cu, melting point : 230 Centigrade))

forward side



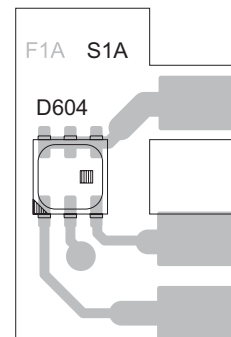
reverse side



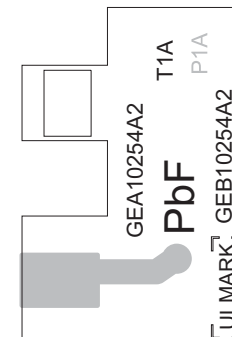
LED board

(Lead free solder used in the board (material : Sn-Ag-Cu, melting point : 219 Centigrade))
 (Lead free solder used in the board (material : Sn-Cu, melting point : 230 Centigrade))

forward side



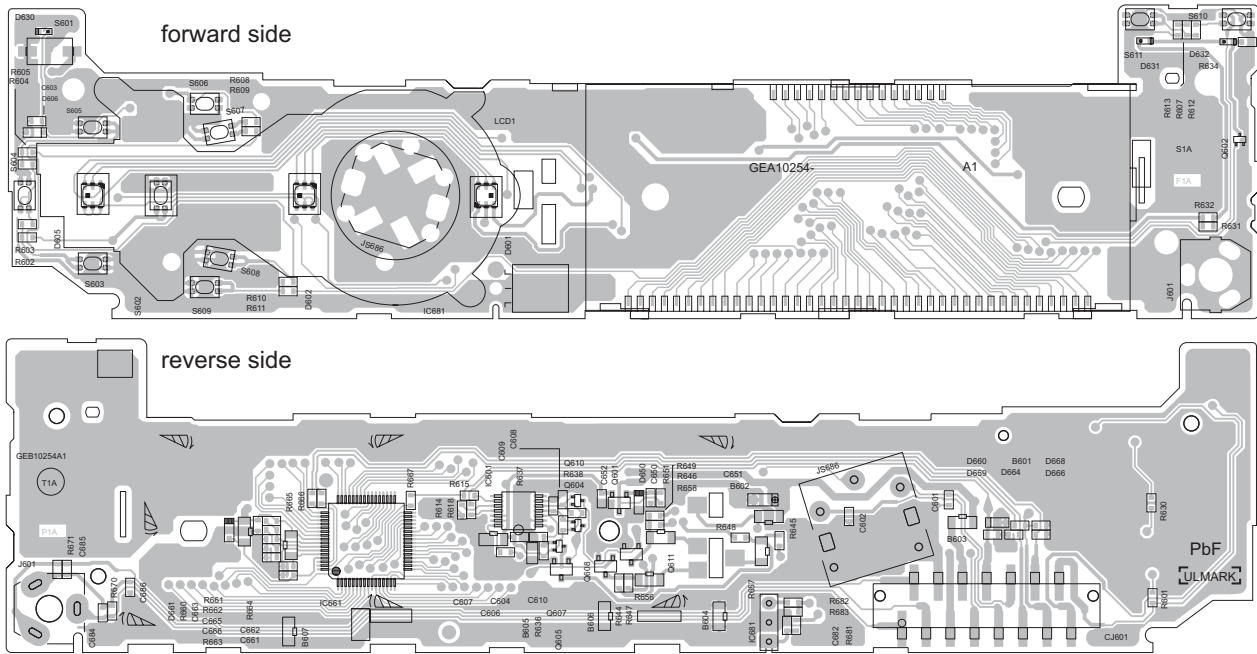
reverse side



Old Switch board

(Lead free solder used in the board (material : Sn-Ag-Cu, melting point : 219 Centigrade))

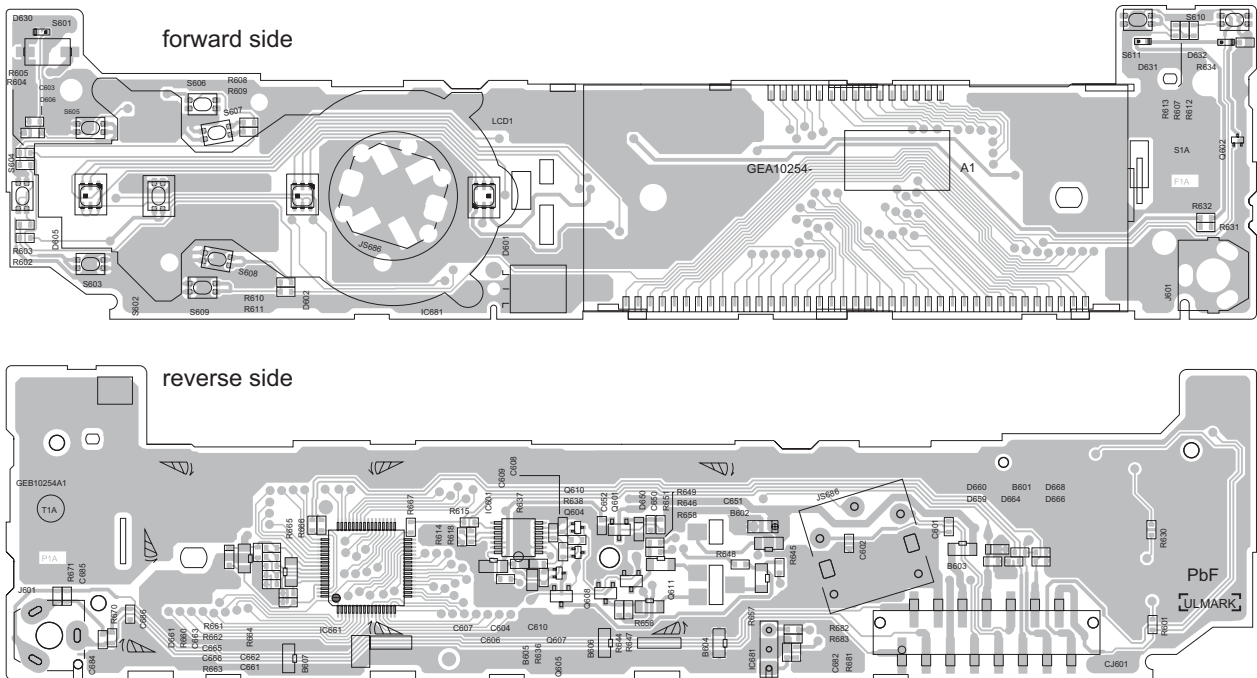
(Lead free solder used in the board (material : Sn-Cu, melting point : 230 Centigrade))



Switch board

(Lead free solder used in the board (material : Sn-Ag-Cu, melting point : 219 Centigrade))

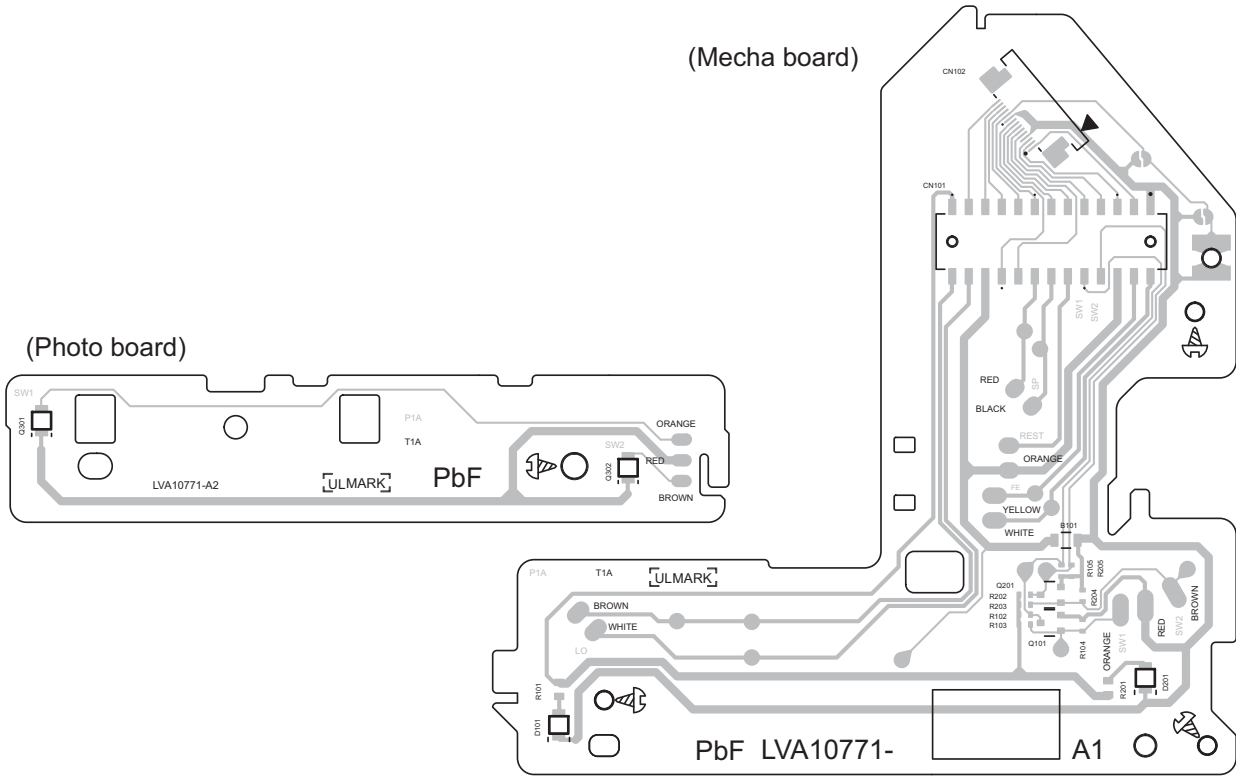
(Lead free solder used in the board (material : Sn-Cu, melting point : 230 Centigrade))



■ Mecha board

(Lead free solder used in the board (material : Sn-Ag-Cu, melting point : 219 Centigrade))

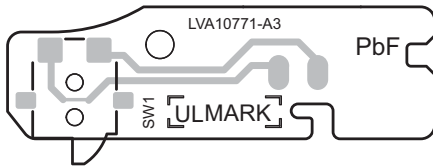
(Lead free solder used in the board (material : Sn-Cu, melting point : 230 Centigrade))



■ Reset board

(Lead free solder used in the board (material : Sn-Ag-Cu, melting point : 219 Centigrade))

(Lead free solder used in the board (material : Sn-Cu, melting point : 230 Centigrade))



< MEMO >



Victor Company of Japan, Limited

Mobile Entertainment Division 10-1,1chome,Ohwatari-machi,Maebashi-city,Gumma-ken,371-8543,Japan